

LS563LED Vedi

Ingrade



Specifications

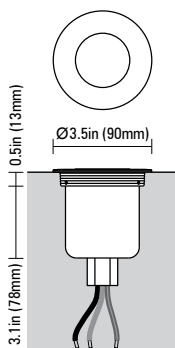
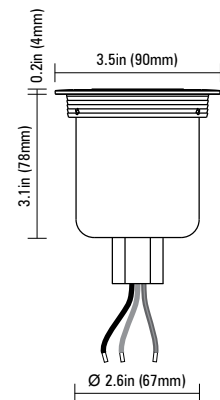
Lamp source	1W or 3W LED (LUXEON K2) <input type="checkbox"/> White (5 300K typical) <input type="checkbox"/> Warm white (3 300K typical) <input checked="" type="checkbox"/> Blue (470nm) <i>Other colors by request</i> <i>For appropriate transformer sizing consult factory</i> <input checked="" type="checkbox"/> For RGB consult factory
UL classification	Suitable for wet locations
IP rating	IP68
Construction	316 marine grade stainless steel
Installation types	Direct burial, landscapes, etc. Pre-installation blockout, drive-over or other installations requiring pre-installation mounting kit.
Drive-over	With pre-installation blockout (LS698-K) only
Static load rating	2 425 lb (1 100kg) with pre-installation blockout (LS698-K)
Impact rating	IK7
Standard inclusion	MicroAntiLeach™ cable entry
Ambient operating temperature	-4°F to 122°F (-20°C to +50°C)
Warranty	10 year structural, 1 year electrical
Accessories <i>Order separately</i>	LS6095 Constant current driver LS698-K Pre-installation blockout <i>For RGB driver options consult factory</i>
Photometrics	Refer to www.lumascap.com
Glass temperature	HumanTouch™ compliant ≤ 149°F (≤ 65°C)



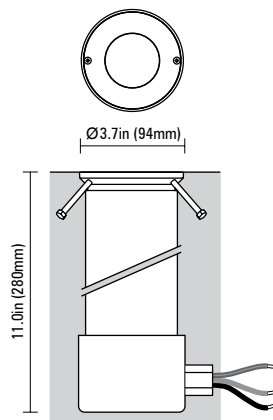
LS563LED Vedi
1W version with diffused lens



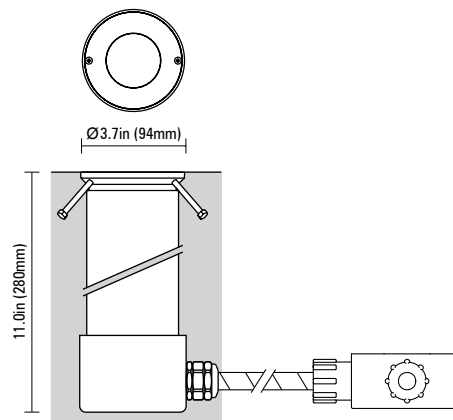
LS563LED Vedi
3W version with clear lens



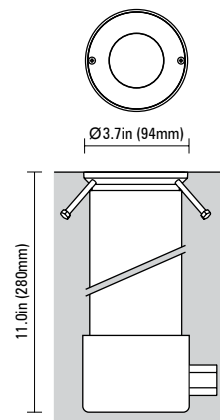
LS563LED-XXX-XX-21-XX
0.5in NPT for 0.5in conduit installation (MicroAntiLeach™) c/w hook-up wire 6.5ft (2.0m)



LS563LED-XXX-XX-23-1-XX
Complete with LS698-K pre-installation single conduit entry (concrete and drive-over) with 0.5in NPT adaptor c/w 6.5ft (2.0m) hook-up wire



LS563LED-XXX-XX-23-2-XX
Complete with LS698-K pre-installation MC cable 2ft (0.6m) & through wire splice box (concrete and drive-over)



LS563LED-XXX-XX-23-3-XX
Complete with LS698-K pre-installation single conduit entry (concrete and drive-over) with 0.5in NPT adaptor c/w 1.0ft (0.3m) hook-up wire - consult factory for multiple conduit entry options

LS563LED 1W Direct Burial Version (Diffused Lens)

PRODUCT		LAMP	WATTAGE	COLOR	FINISH	CABLE ENTRY	VOLTAGE
Code	Code	Code	Code	Code	Code	Code	Code
Vedi LED (1W)	LS563LED	LED	1W	White (5 300K typ.)	Stainless steel	Single conduit entry 0.5in NPT c/w 6.5ft (2.0m) hook-up wire	120V 60Hz
				Warm white (3 300K typ.)	Brass		12V 60Hz Wire wound transformer
				Blue (470nm)	Powdercoated: Black		12-24V DC Ripple free regulated supply
					Powdercoated: White		350mA constant current remote driver LS6095 required
					Powdercoated: Silver		Order separately

Note: 1W version supplied with diffused lens, beam angle selection not available
For appropriate transformer sizing consult factory
LUXEON K2 LED used

LS563LED 1W Pre-Installation Blockout Version (Diffused Lens)

PRODUCT		LAMP	WATTAGE	COLOR	FINISH	CABLE ENTRY	VOLTAGE
Code	Code	Code	Code	Code	Code	Code	Code
Vedi LED (1W)	LS563LED	LED	1W	White (5 300K typ.)	Stainless steel	Drive-over: Single conduit entry 0.5in NPT c/w 6.5ft (2.0m) hook-up wire	120V 60Hz
				Warm white (3 300K typ.)	Brass	Drive-over: LS698-K & direct burial type MC cable & through wire splice box 2ft (0.6m)	12V 60Hz Wire wound transformer
				Blue (470nm)	Powdercoated: Black	Drive-over: LS698-K & single conduit entry 0.5in NPT 1ft (0.3m)	12-24V DC Ripple free regulated supply
					Powdercoated: White		350mA constant current remote driver LS6095 required
					Powdercoated: Silver		Order separately

Note: 1W version supplied with diffused lens, beam angle selection not available
For appropriate transformer sizing consult factory
LUXEON K2 LED used

LS563LED 3W Direct Burial Version (Clear Lens)

PRODUCT		LAMP	WATTAGE	COLOR	FINISH	BEAM	CABLE ENTRY	VOLTAGE
Code	Code	Code	Code	Code	Code	Code	Code	Code
Vedi LED (3W)	LS563LED	LED	3W	White (5 300K typ.)	Stainless steel	Narrow 8°	Single conduit entry 0.5in NPT c/w 6.5ft (2.0m) hook-up wire	120V 60Hz
				Warm white (3 300K typ.)	Brass	Medium 28°		12V 60Hz Wire wound transformer
				Blue (470nm)	Powdercoated: Black	Flood 46°		12-24V DC Ripple free regulated supply
					Powdercoated: White			350mA constant current remote driver LS6095 required
					Powdercoated: Silver			Order separately

Note: 3W version supplied with clear lens, beam angle selection available
For appropriate transformer sizing consult factory
LUXEON K2 LED used

LS563LED 3W Pre-Installation Blockout Version (Clear Lens)

PRODUCT		LAMP	WATTAGE	COLOR	FINISH	BEAM	CABLE ENTRY	VOLTAGE
Code	Code	Code	Code	Code	Code	Code	Code	Code
Vedi LED (3W)	LS563LED	LED	3W	White (5 300K typ.)	Stainless steel	Narrow 8°	Drive-over: Single conduit entry 0.5in NPT c/w 6.5ft (2.0m) hook-up wire	120V 60Hz
				Warm white (3 300K typ.)	Brass	Medium 28°	Drive-over: LS698-K & direct burial type MC cable & through wire splice box 2ft (0.6m)	12V 60Hz Wire wound transformer
				Blue (470nm)	Powdercoated: Black	Flood 46°	Drive-over: LS698-K & single conduit entry 0.5in NPT 1ft (0.3m)	12-24V DC Ripple free regulated supply
					Powdercoated: White			350mA constant current remote driver LS6095 required
					Powdercoated: Silver			Order separately

Note: 3W version supplied with clear lens, beam angle selection available
For appropriate transformer sizing consult factory
LUXEON K2 LED used