

IMPORTANT INSTRUCTIONS

LS343

STAINLESS STEEL



For opening & re-sealing fixture with pre-install kit

Thank you for taking the time to read this, it will save you time and money.

First, some simple rules.

Do not use your battery drill

Do not use silicone sealant

Keep all surfaces clean

Keep all foreign material out of the fixture

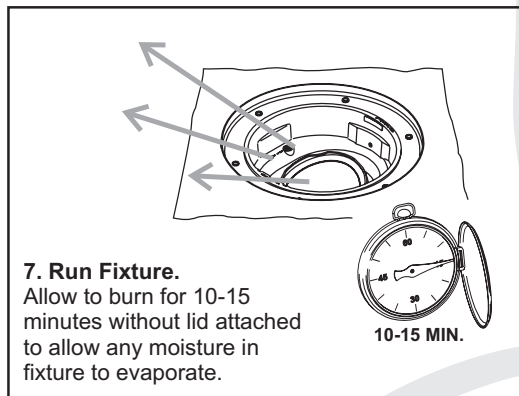
1. Clear area around fixture of loose dirt and debris, and wipe the fixture off with clean rag



2. Clean out socket head screws with a small pointed object



6. Clean out rim, remove any foreign objects from fixture



LUMASCAPE USA INC.

US Head Office
1300 Industrial Rd., Unit #19
San Carlos, CA 94070
USA

Telephone
1-(650)-595-LUMA(5862)

Fax
1-(650)-595-5820

www.lumascope.com

Free Call
1-866-695-LUMA(5862)
(US & Canada)

IMPORTANT INSTRUCTIONS

LS343

STAINLESS STEEL

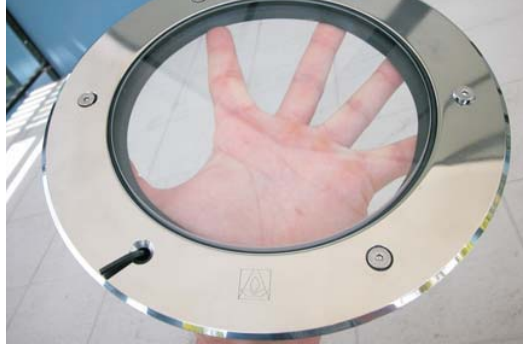
B

For opening & re-sealing fixture with pre-install kit

8. Wipe seal clean, if necessary disassemble the seal and wash in clean water then dry thoroughly



9. Ensure glass bevel faces top of lid so that the glass and trim are flush



10. Ensure socket head screws are free of dirt and debris and are in good condition



11. Insert 5 screws all the way into cover, leaving one hole without screw



12. Place allen-key in 6th cover hole



13. Place cover on fixture lining up allen-key with any hole



14. Push lid down evenly ensuring allen-key remains vertical (at 90degrees to the cover)

15. Progressively tighten, no torque pattern is required, just keep going around until all screws are tight and the glass, trim and edge of fixture are flush.



Do not attempt to tighten any one screw fully. This will take longer and will not seat the seal properly.

LUMASCAPE
USA INC.

LUMASCAPE USA INC.

US Head Office
1300 Industrial Rd., Unit #19
San Carlos, CA 94070
USA

Telephone
1-(650)-595-LUMA(5862)

Fax
1-(650)-595-5820

www.lumascope.com

Free Call
1-866-695-LUMA(5862)
(US & Canada)