

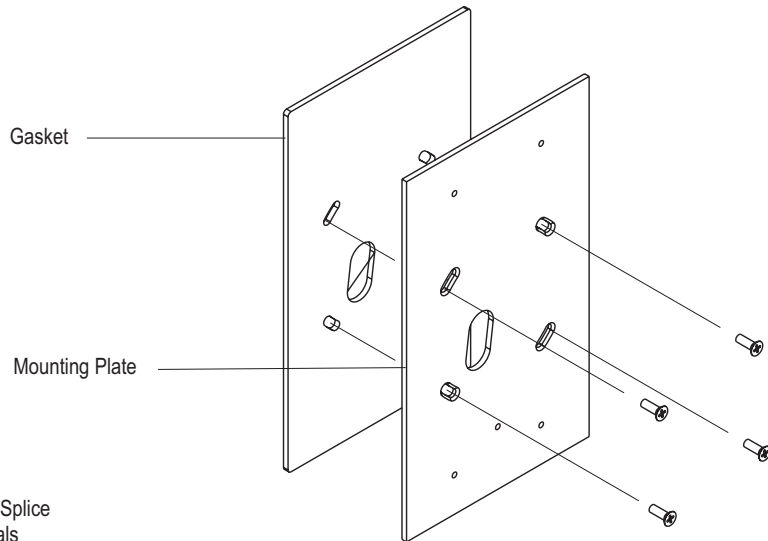


IMPORTANT INSTRUCTIONS

For Installation LS6050 mounting plate

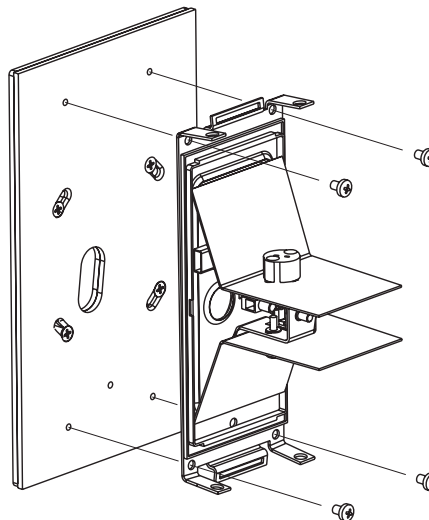
Lumascap USA Inc.
 1300 Industrial Rd., Unit #19
 San Carlos, CA 94070, USA
 T 1-(650)-595-LUMA(5862)
 F 1-(650)-595-5820
 E info@lumascap.com
 W www.lumascap.com
 Free Call 1-866-695-LUMA(5862) US & Canada

1



Screw mounting plate to screw bosses in Splice Box ensuring gasket is in position and seals correctly.

2



Install fixture to mounting plate as per fixture installation instructions.