



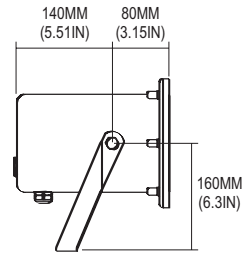
IMPORTANT INSTRUCTIONS

For Installation LS365: UNDERWATER

Lumascope USA Inc.
1300 Industrial Rd., Unit #19
San Carlos, CA 94070, USA
T 1-(650)-595-LUMA(5862)
F 1-(650)-595-5820
E info@lumascope.com
W www.lumascope.com

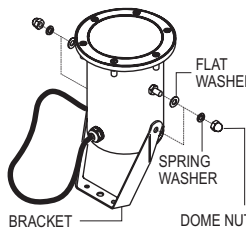
WARNING If cable damaged replace with cable supplied by LUMASCOPE only. DO NOT SHORTEN, INTERFERE OR DISCONNECT CABLE FROM FITTING. WARRANTY WILL BE VOID IF CABLE ASSEMBLY IS TAMPERED WITH. **CAUTION - HOT BULBS. Keep Away From Curtains And Other Combustible Material.**

1



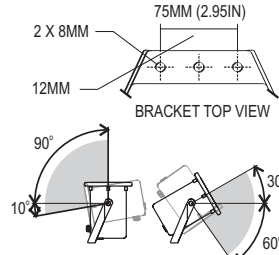
Locate Fixtures
Site fixture in proximity to cabling. Use discretion in locating fixtures as glass can become very hot and may burn.

2



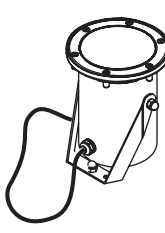
Mount Bracket to Fixture
Mount bracket supplied to fixture using the M10 dome nuts and washers as shown above.

3



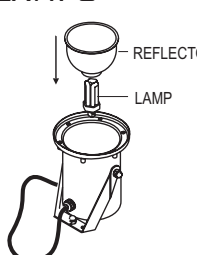
Mount Fixture
Mount fixture to secure surface. Orientate fixture as required and tighten nuts on bracket.

4




Connect Supply
Connect fixture to supply cable according to local wiring rules.

5A PL LAMPS



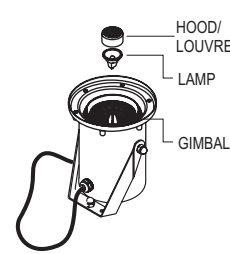
Insert Lamp
Insert PL lamp into lampholder mounted on gear tray in bottom of fixture. Insert reflector, locating bottom into aluminium cup around lampholder.

5B PAR LAMPS



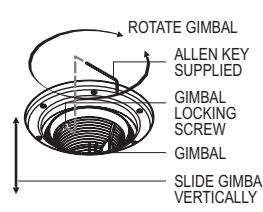
Insert Lamp
Screw PAR38, or PAR30 lamp into lampholder mounted on gear tray in bottom of fixture. Ensure the lamp bottoms out in lampholder.

5C MR16 LAMPS



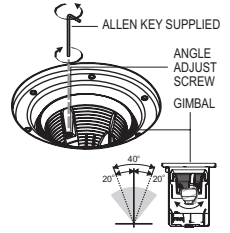
Insert Lamp
Remove Hood and louvre from gimbal and insert MR16 lamp into lampholder. Replace hood and louvre.

5D MR16 LAMPS



Adjust vertical and rotational position of gimbal
Rotate gimbal to aim light at target. Slide gimbal vertically to minimise glare. Once positioned tighten locking screw using Allen Key provided.

9 MR16 LAMPS



Adjust angular position of light
Aim the light at target by rotating the angle adjust screw, with the Allen Key provided. The lamp has a maximum adjust of 20° either side of vertical.

Further information over page

IMPORTANT SAFETY INSTRUCTIONS

INSTRUCTIONS PERTAINING TO A RISK OF FIRE, OR INJURY TO PERSONS

WARNING - To reduce the risk of FIRE or INJURY:

1. Turn Off and allow to cool before replacing lamp.
2. Lamp gets hot quickly! Contact only switch/plug when turning on.
3. Do not touch hot lens, guard, or enclosure.

4. Keep lamp away from materials that may burn.
5. Do not touch the lamp at any time. Use a soft cloth. Oil from skin may damage lamp.

SAVE THESE INSTRUCTIONS. SEE OTHER SIDE FOR RE-LAMPING

www.lumascope.com

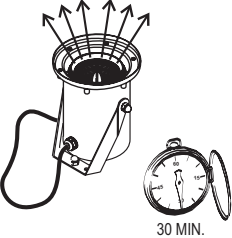
B IMPORTANT INSTRUCTIONS

For Installation LS365: UNDERWATER

Warning: The Luminaire should only be used complete with its protective shield (cover)

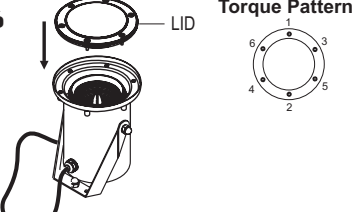
Lumascope USA Inc.
1300 Industrial Rd., Unit #19
San Carlos, CA 94070, USA
T 1-(650)-595-LUMA(5862)
F 1-(650)-595-5820
E info@lumascope.com
W www.lumascope.com

5



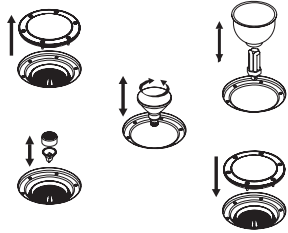
Test Fixture
Test to ensure fixture is operational. Allow to burn uncovered for 30 minutes to allow any moisture in fixture to evaporate.

6



Seal Fixture
Ensure seal and sealing surface is clean. Clean glass if necessary. Tighten lid screws using the 3mm Allen key supplied. Lumascope recommends tightening in the above Torque Pattern to 2.5 to 3 N.m. **DO NOT OVER TIGHTEN.**

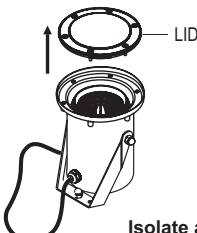
RE-LAMPING



Open / Re-lamp / Reseal
Ensure fixture is isolated from mains power. Unscrew lid using Allen Key provided, or a 3mm Allen Key. Remove any louvres or reflectors. Replace lamp and Reseal Fixture.

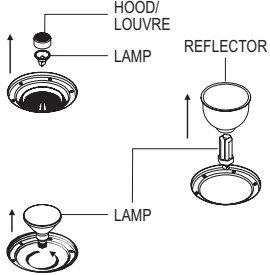
LAMP SOURCE CONVERSION INSTRUCTION

1



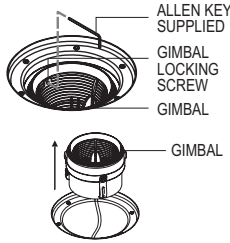
Isolate and Open Fixture
Ensure fixture is electrically isolated. Unscrew lid using a 3mm Allen key (provided) and remove.

2A



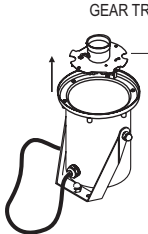
Remove Lamp
Remove any reflectors or louvres. Unscrew/Pull lamp from lampholder and remove.

2B MR16



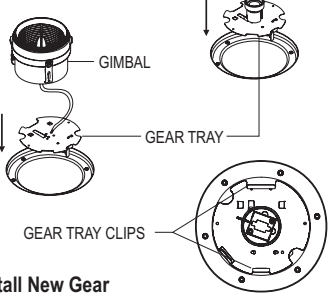
Remove Gimbal
Loosen gimbal locking screw with 3mm Allen key, (provided). Remove gimbal and place beside fixture.

3



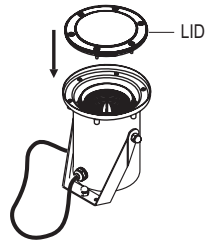
Remove Gear Tray
Unclip and remove gear tray, gripping via either the two finger recesses or the lampholder.

4



Install New Gear
Install new gear tray by clipping into fixture, aligning large clip on can with large recess on gear tray as shown. Push down gently until clips spring over tray.

5



Test and Reseal Fixture
Test and reseal fixture according to installations 4 to 6 on this sheet.