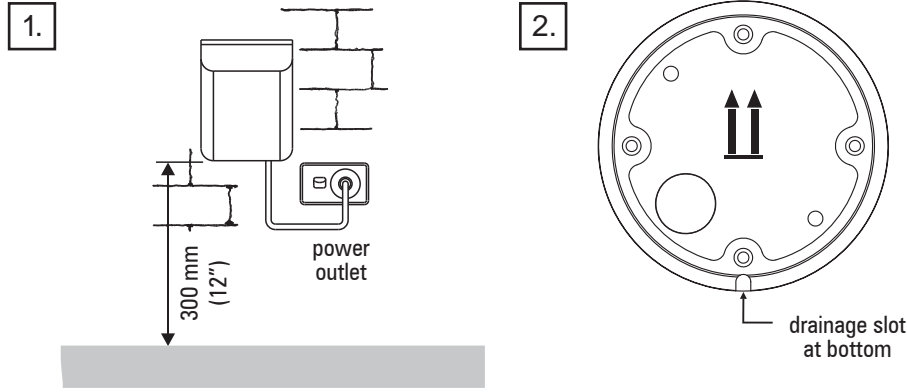


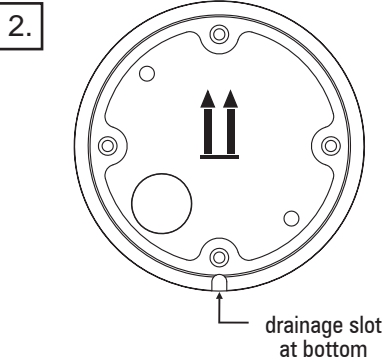
LS731LED, LS741LED, LS751LED, LS751-2LED: Wall Mount Only

Warranty voided if not installed as per installation instructions

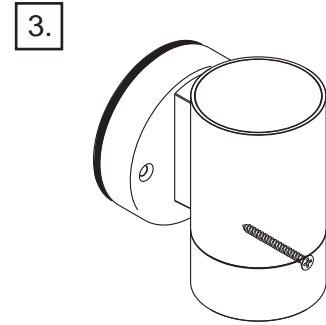
INSTALLATION TO WALL



Refer to luminaire label and select correct power supply.

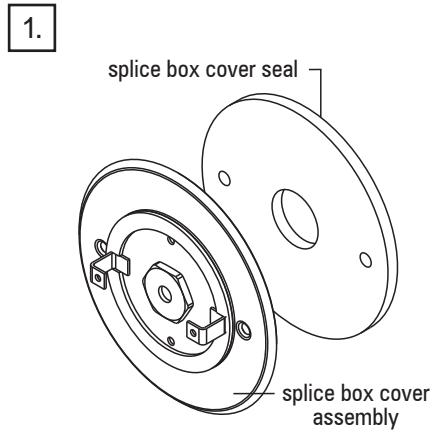


Secure black base plate to wall in the correct orientation using 6 gauge screws or equivalent.

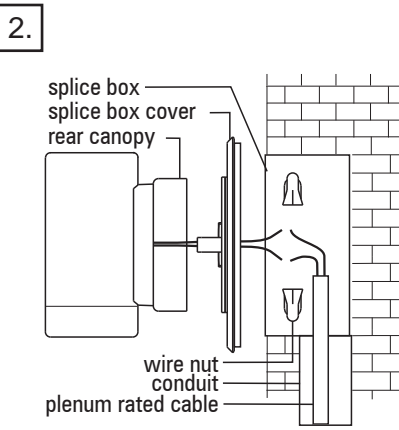


Connect luminaire wires to supply wires with the lock connectors (see wiring designation).
 Screw luminaire onto black base plate using 2 stainless steel screws provided.
 Switch on and check each luminaire is operating.

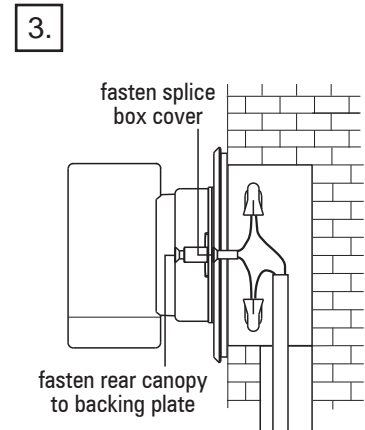
INSTALLATION TO SPLICE BOX



Discard black base plate and replace it with LS6075 mounting plate.
 Fit seal to the back of the splice box cover, ensuring that the 3 holes match the 3 hole positions on the cover.

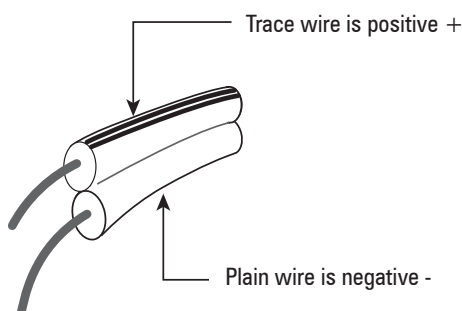


Feed the light fixture wires through the gland in the splice box cover and secure fixture to the cover with the supplied screws.



Twist the fixture wires to the supply wires with the lock connector (see wiring designation).
 Fasten the splice box cover to the splice box with the supplied screws.
 Switch on and check each fixture is operating.

WIRING DESIGNATION FOR REMOTE DRIVER



Questions?
Free Call 1-866-695-LUMA(5862)
Email sales@lumascape.com
www.lumascape.com

General

WARNING - To reduce the risk of FIRE or INJURY:

1. Luminaires and transformers to be installed by qualified installers only to the NEC.
2. Luminaires to be used for intended purpose only. e.g. Wall Mount fittings must be wall mounted.
3. Luminaires can become very hot. Use discretion in placement.
4. Do not touch hot lens, guard, or enclosure.
5. CAUTION - HOT SURFACE. Keep away from curtains and other combustible material.
6. Turn Off/Unplug and allow to cool before replacing lamp.
7. Keep lamp away from materials that may burn.
8. Never touch lamp with bare fingers. Oil from skin may damage lamp. Hold lamp with soft cloth when installing or replacing.
9. Do not operate the luminaires with a missing or damaged parts.
10. Replace any cracked protective shield.
11. Use only lamp type, voltage and wattage as specified by Lumascape on the product label.
12. Use only genuine Lumascape parts to replace damaged or missing components.
13. Refer to instructions for installation and operating requirements.
14. Ensure installation complies with local regulations.

SAVE THESE INSTRUCTIONS.