

IMPORTANT INSTRUCTIONS

For installation LS793LED

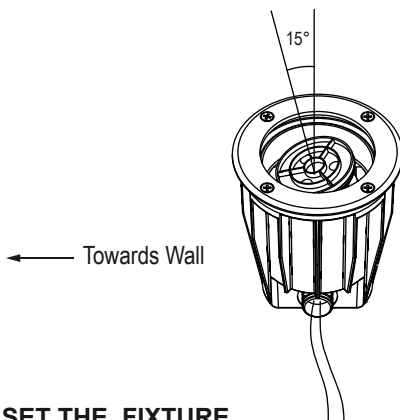
IMPORTANT

- This product must only be installed by a licensed electrical worker
- This fixture is suitable for floor and ingrade mounting. This luminaire is NOT suitable for drive-over applications
- Suitable for Wet Locations, Not for use in Dwellings, Use only with Class 2 Power Unit



Lumascope USA Inc.
1300 Industrial Rd., Unit #19
San Carlos, CA 94070, USA
T 1-(650)-595-LUMA(5862)
F 1-(650)-595-5820
E info@lumascope.com
W www.lumascope.com
Free Call 1-866-695-LUMA(5862) US & Canada

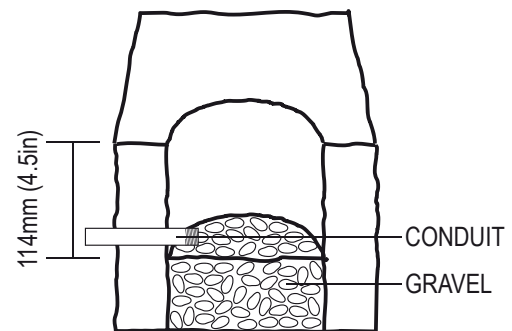
IMPORTANT NOTE BEFORE COMMENCING INSTALLATION



SET THE FIXTURE

IMPORTANT NOTE! For angled lamp option: Aim the luminaire at the desired object. If pointed correctly, cable will exit luminaire body 90° to left of target direction. Position correctly before grouting or concreting.

1



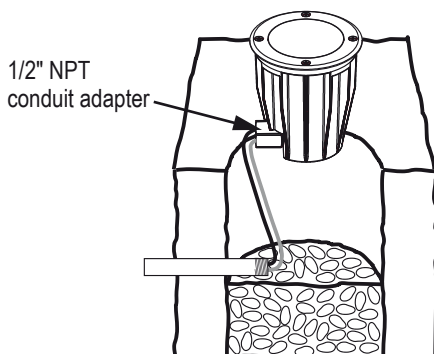
HOLE DETAIL

- Cast or Core drill void to accommodate the fitting as shown above.
- Ensure a neat hole is achieved.
- Ensure gravel or similar material forms the bottom of the cavity to allow for drainage.

IMPORTANT NOTE:

Ensure that suitable connection access is available. 6.5' (2m) hook up wire is supplied. Electrical conduit is recommended.

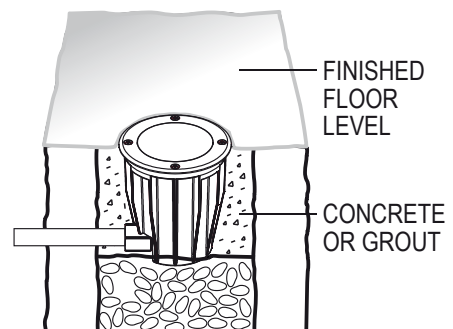
2



CONNECT FIXTURE

- Feed hook-up wire from fixture into the conduit.
- Connect hookup wire in accordance with NEC and local wiring regulations.

3



SET THE FIXTURE

- Ensure underside of the fixture lid is flush with finished floor level.
- Pour concrete or grout in place. For fixtures with 15° lens tilt, ensure fixture orientation is correct.
- Check that underside of fixture lid is flush with finished floor level.

WARNING

DO NOT INTERFERE WITH OR DISCONNECT CABLE FROM FIXTURE. WARRANTY WILL BE VOIDED IF CABLE ASSEMBLY IS ALTERED.

IMPORTANT INSTRUCTIONS

For installation LS793LED

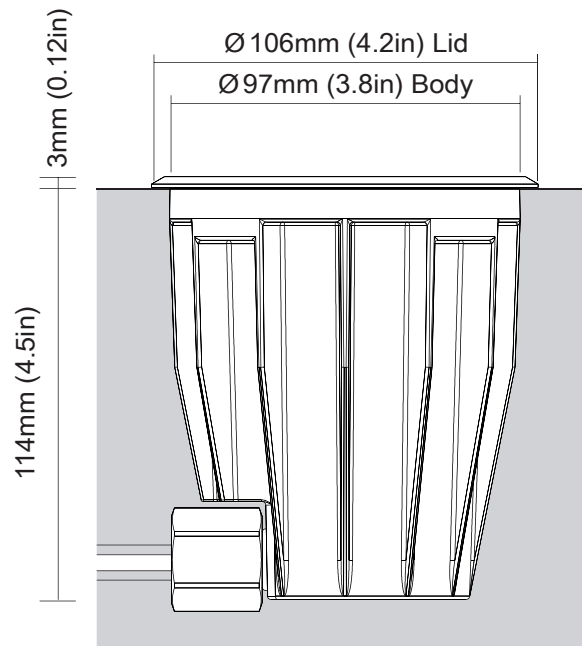
IMPORTANT

- This product must only be installed by a licensed electrical worker
- This fixture is suitable for floor and ingrade mounting. This luminaire is NOT suitable for drive-over applications.
- Suitable for Wet Locations, Not for use in Dwellings, Use only with Class 2 Power Unit



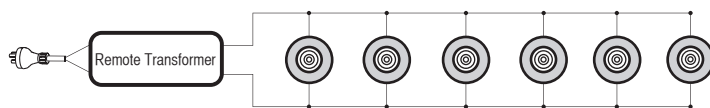
Lumascope USA Inc.
1300 Industrial Rd., Unit #19
San Carlos, CA 94070, USA
T 1-(650)-595-LUMA(5862)
F 1-(650)-595-5820
E info@lumascope.com
W www.lumascope.com
Free Call 1-866-695-LUMA(5862) US & Canada

DIMENSIONS



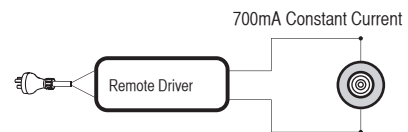
WIRING

LOW Voltage wiring diagram



NOTE: CONNECTIONS ARE IN PARALLEL. CONSULT FACTORY FOR COMPLETE LIST OF COMPATIBLE TRANSFORMERS AND MAXIMUM NUMBER OF FIXTURES PER CIRCUIT.

Remote Driver wiring diagram



NOTE: CONNECTIONS ARE IN SERIES. CONSULT FACTORY FOR COMPLETE LIST OF COMPATIBLE REMOTE DRIVERS AND NUMBER OF FIXTURES PER CIRCUIT

Warning

The correct power supply must be used in conjunction with the Luxeon LED light sources. This will ensure the maximum life of the LED light source.