

MODELS LS431 Surface Mount Remote ECG
20-70watt MH PJG5/G8.5
Electronic Control Gear Required
Suitable for wet locations
Suitable for mounting below 1.2m (4')
70W: Ta 40°C, 20W & 39W: Ta 50°C

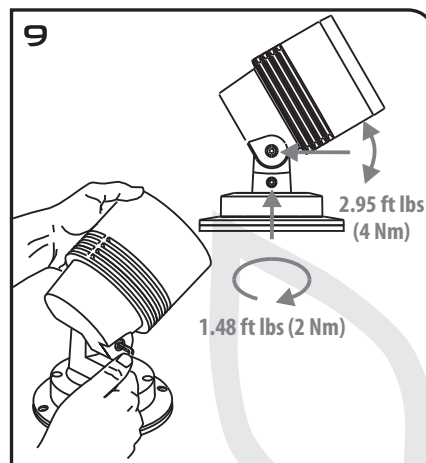
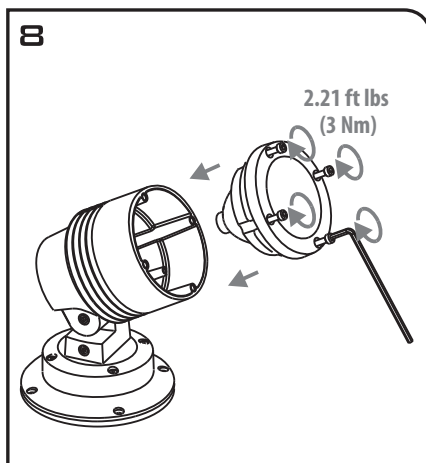
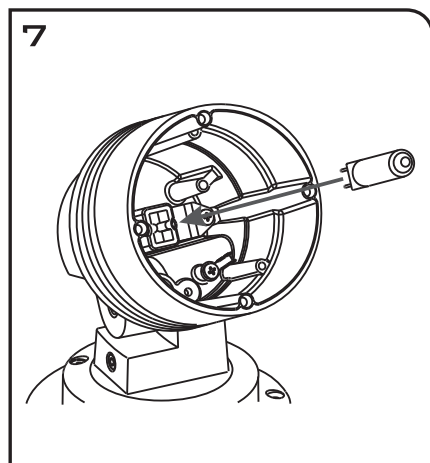
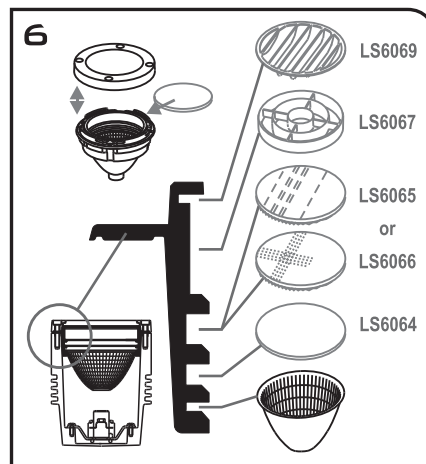
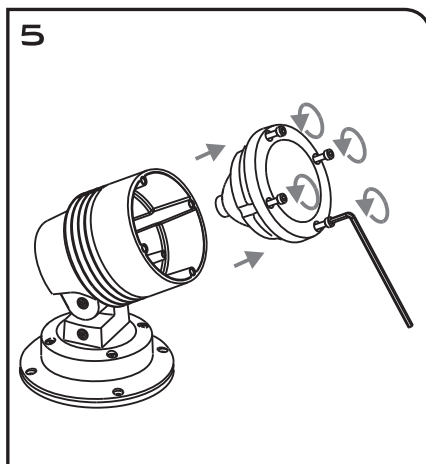
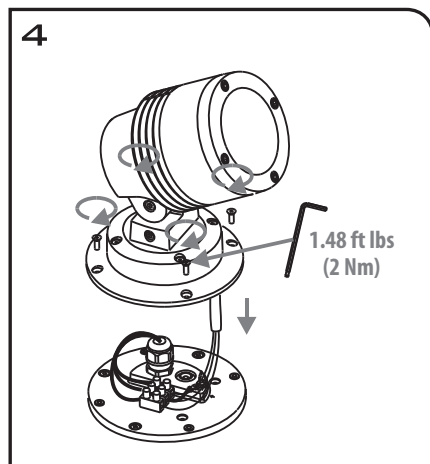
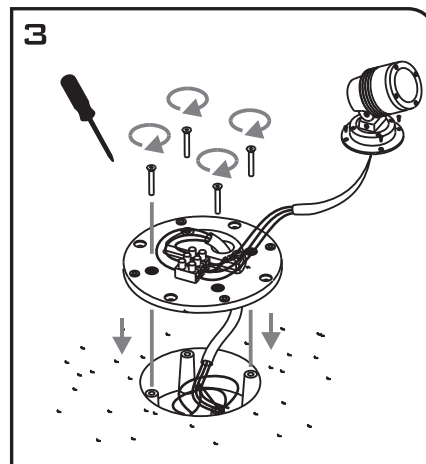
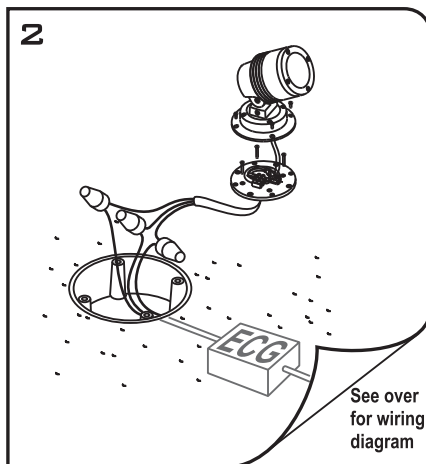
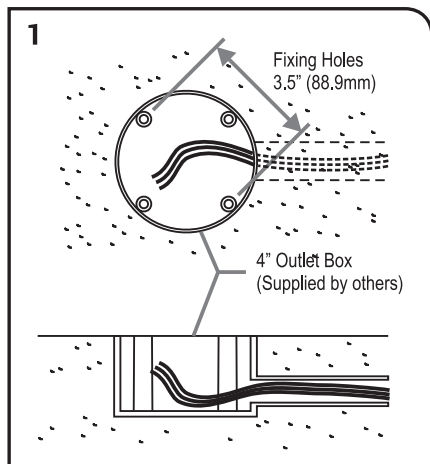
IMPORTANT INSTRUCTIONS

For Installation LS431

P 1 of 2



LUMASCAPE USA INC
1300 Industrial Rd, Unit #19
San Carlos, CA 94070, USA
T 1-(650)-595-LUMA(5862)
F 1-(650)-595-5820
E info@lumascope.com
W www.lumascope.com Free Call 1-866-695-LUMA(5862)



www.lumascope.com

LUMASCOPE USA INC
Free Call 1-866-695-LUMA(5862)
T 1-(650)-595-LUMA(5862) 1-(650)-595-5820

MODELS LS431 Surface Mount Remote ECG
20-70watt MH PJG5/G8.5
Electronic Control Gear Required
Suitable for wet locations
Suitable for mounting below 1.2m (4')
Not for dwelling
70W: Ta 40°C, 20W & 39W: Ta 50°C

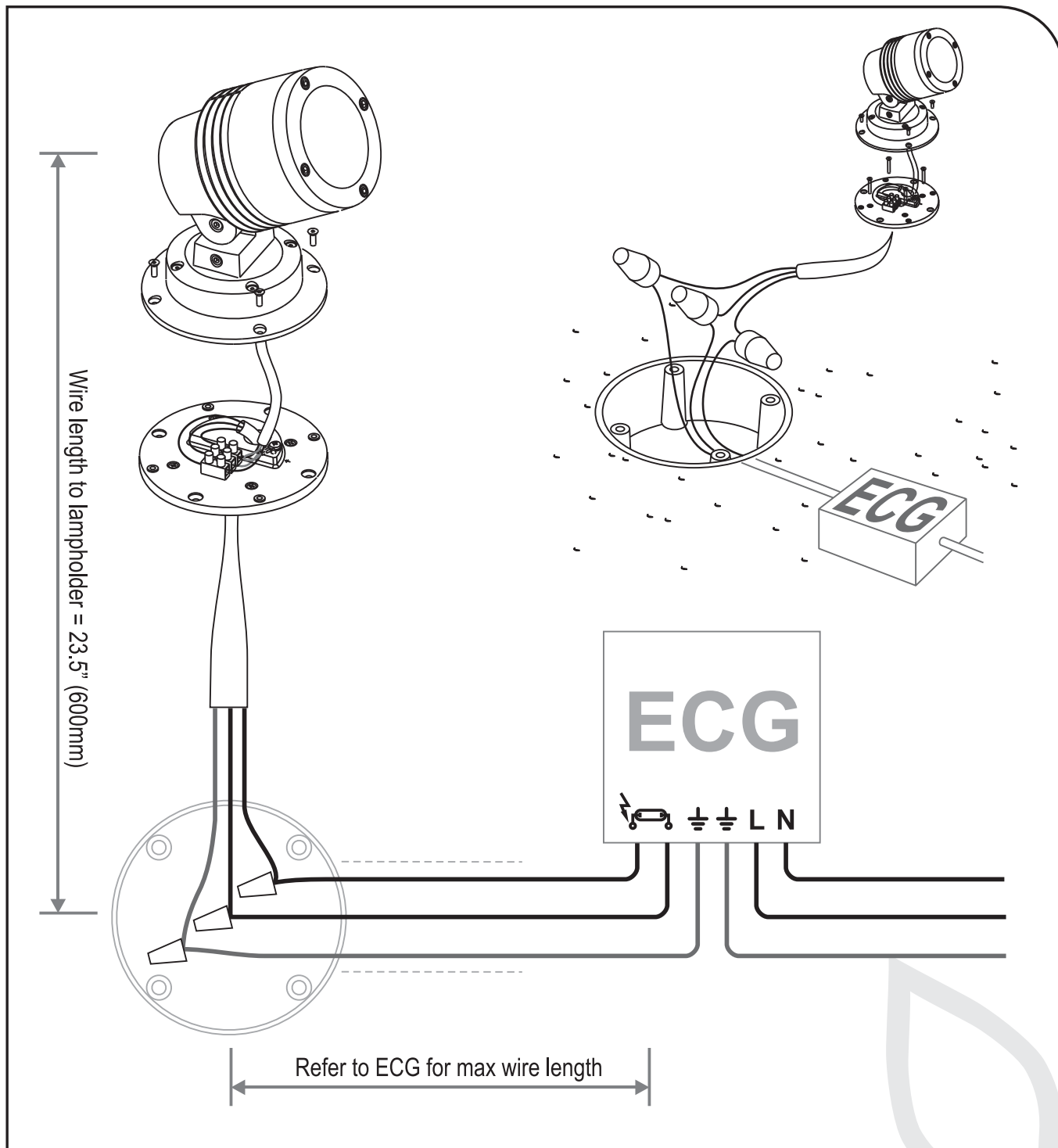
IMPORTANT INSTRUCTIONS

For Installation LS431

P 2 of 2



LUMASCAPE USA INC
1300 Industrial Rd, Unit #19
San Carlos, CA 94070, USA
T 1-(650)-595-LUMA(5862)
F 1-(650)-595-5820
E info@lumascape.com
W www.lumascape.com Free Call 1-866-695-LUMA(5862)



www.lumascape.com

LUMASCAPE USA INC
Free Call 1-866-695-LUMA(5862)
T 1-(650)-595-LUMA(5862) 1-(650)-595-5820