

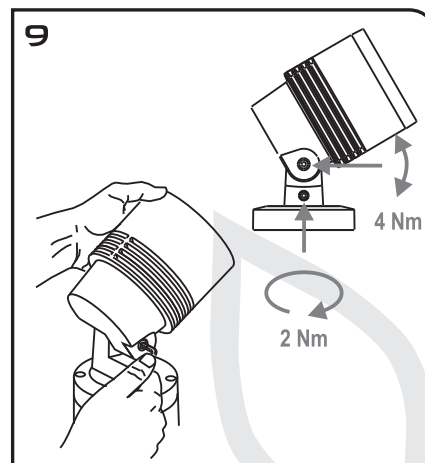
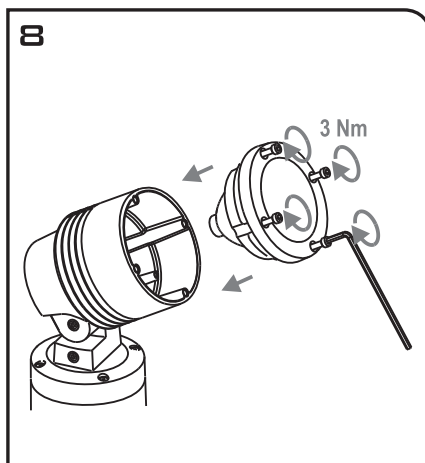
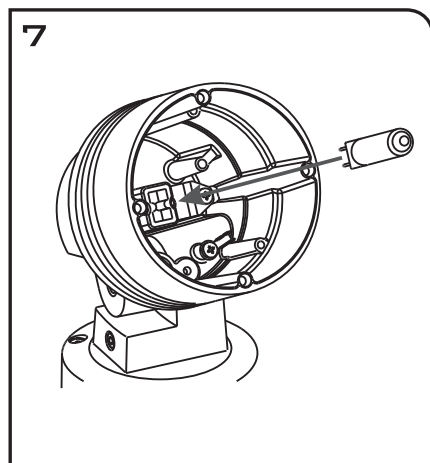
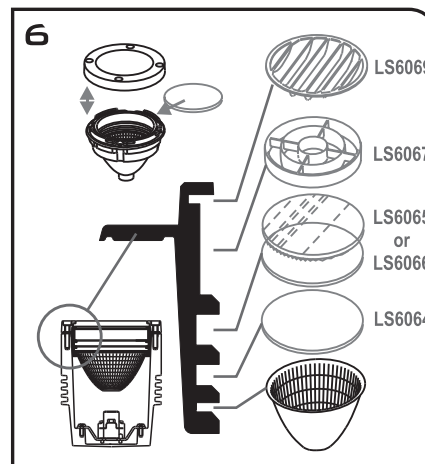
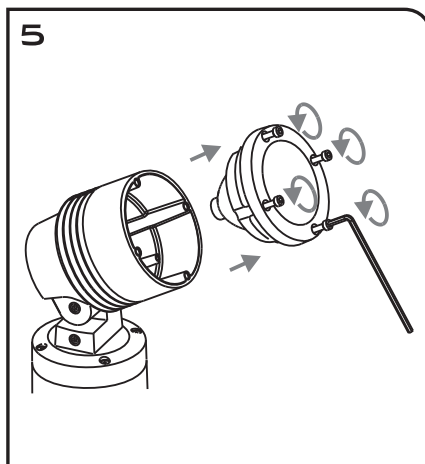
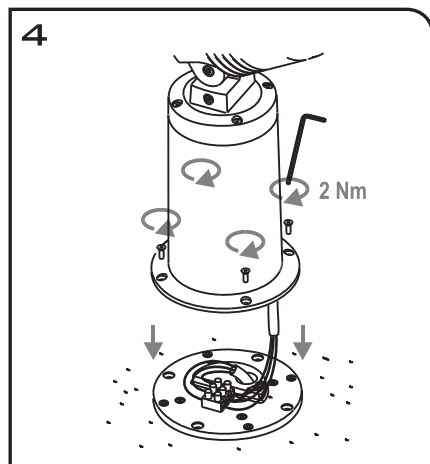
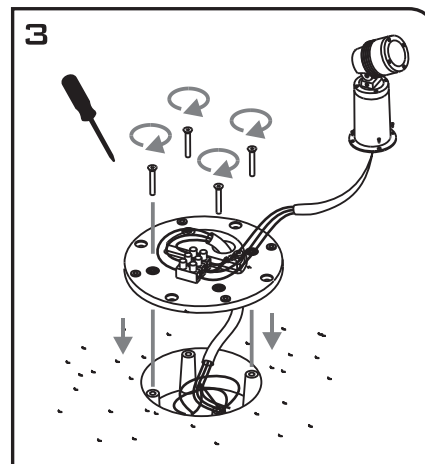
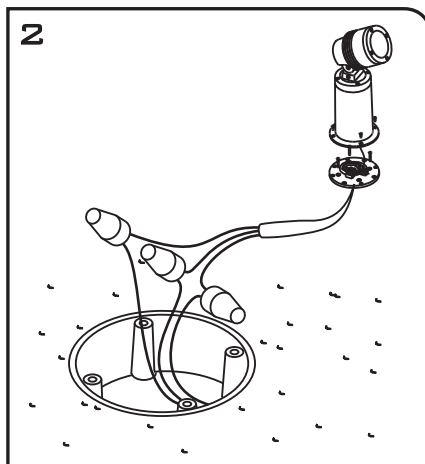
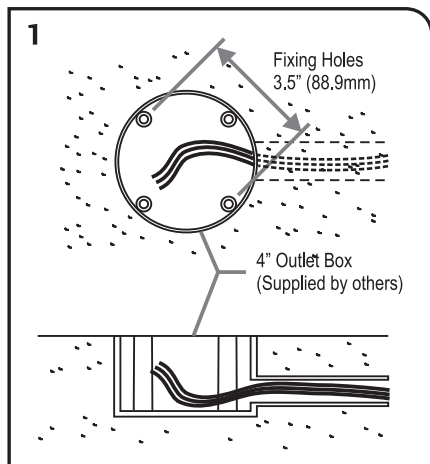
**MODELS** LS432 Post Mount Integral ECG  
120-277V 60Hz  
20-70watt MH PJG5/G8.5  
Suitable for wet locations  
Suitable for mounting below 1.2m (4')  
70W: Ta 40°C, 20W & 39W: Ta 50°C

# IMPORTANT INSTRUCTIONS

For Installation LS432



LUMASCAPE USA INC  
1300 Industrial Rd, Unit #19  
San Carlos, CA 94070, USA  
T 1-(650)-595-LUMA(5862)  
F 1-(650)-595-5820  
E info@lumascope.com  
W www.lumascope.com Free Call 1-866-695-LUMA(5862)



www.lumascope.com

LUMASCOPE USA INC  
Free Call 1-866-695-LUMA(5862)  
T 1-(650)-595-LUMA(5862) 1-(650)-595-5820