

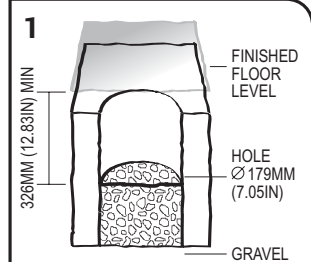
IMPORTANT INSTRUCTIONS

For Installation LS647K-UL



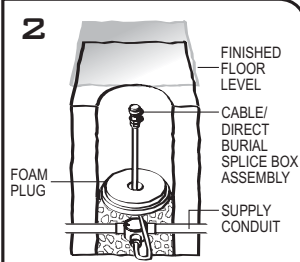
MODEL	LS647K Mounting accessory for LS393
--------------	---

CAUTION - This Product Must Only Be Installed/fitted By A Licensed Electrical Worker
NOTE - As per 2002 NEC Section 305, the SOOW cord must be at least 450mm (18in) below a minimum 2 inch thick concrete slab



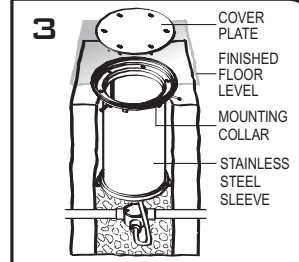
HOLE DETAIL - SECTION VIEW

- Layout fixture locations as required.
- Use discretion in placement, fixture may become hot and could burn.
- Fixture cavity should be as above. Ensure gravel or similar medium forms the bottom of cavity to allow drainage.



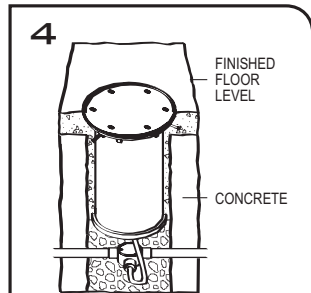
SUPPLY CONNECTION

- Position splice box directly beneath concrete sleeve and connect to supply conduit.
- Punch a hole in foam plug large enough for the connector to pass through
- Pack hole in plug around the cable to ensure concrete doesn't enter the fixture cavity. (Ensure the cap on the connector is secure)



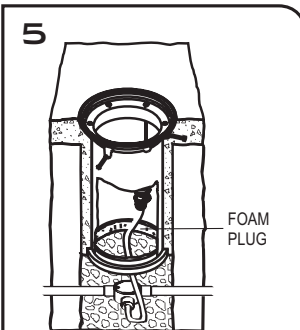
FIT SLEEVE, COLLAR AND COVER PLATE

- Fit sleeve over foam plug. Ensure enough cable is in the cavity to connect to fixture.
- Position top lip of mounting collar to be flush with finished floor level.
- Screw cover plate, (Available separately, consult your Lumascope dealer), to mounting collar if required.



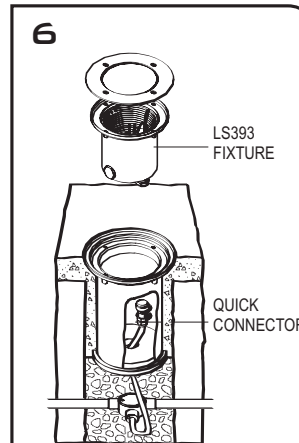
POUR CONCRETE

- Pour concrete. Check the top surface of mounting collar is flush with the finished floor level.



DESTROY FOAM PLUG

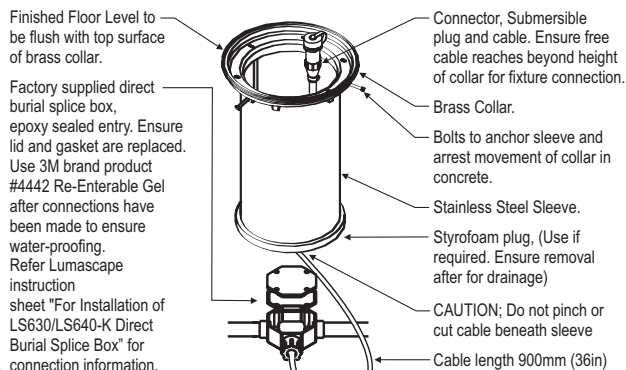
- Once concrete has set, remove the cover plate and destroy foam plug using a long screwdriver or similar implement.
- This will allow the cavity to drain, should it fill with water, before, after or during installation.



FIT LS393 FIXTURE

- When ready to install fixture;
- Assemble fixture according to LS393 Instruction sheet.
 - Remove cover plate (if located).
 - Join Quick Connectors (do not dispose of cap).
 - Insert fixture into mounting kit.
 - Screw lid down into mounting collar

GENERAL ASSEMBLY



LUMASCOPE
USA INC.

LUMASCOPE USA INC.

US Head Office
1300 Industrial Rd., Unit #19
San Carlos, CA 94070
USA

Telephone
1-(650)-595-LUMA(5862)

Fax
1-(650)-595-5820

www.lumascope.com

Free Call
1-866-695-LUMA(5862)
(US & Canada)

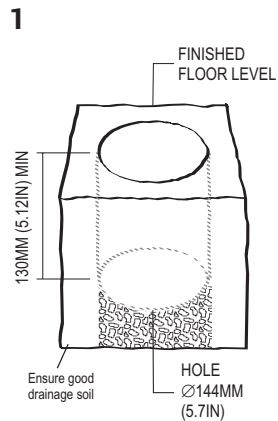
IMPORTANT INSTRUCTIONS

For Installation LS647



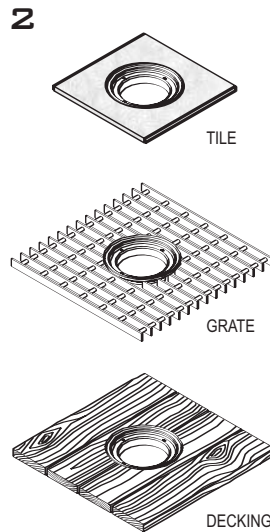
MODEL	LS647 Mounting accessory for LS393
--------------	--

CAUTION - This Product Must Only Be Installed/fitted By A Licensed Electrical Worker



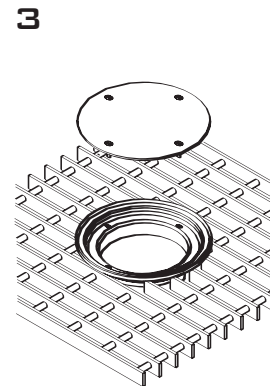
CAVITY REQUIREMENTS

- Layout fixture locations as required.
- Use discretion in placement, fixture may become hot and could burn.
- Fixture cavity requirements are as shown above.



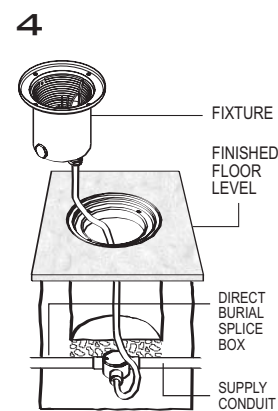
MOUNT COLLAR

- Mount collar securely as required in floor media.



TEMPORARY COVER PLATE

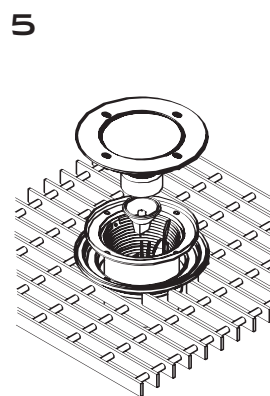
- If installation of fixture into mounting collar is to be delayed we recommend the installation of a cover plate. These are available from Lumascope, please consult your dealer,



SUPPLY CONNECTION

- If fixture is ordered with direct burial splice box cable entry, connect according to direct burial splice box installation instructions and local wiring rules.

Alternatively, if supplied with 1/2"NPT adaptor connect in accordance with local wiring rules and ensure a watertight seal.



MOUNT FIXTURE

- Insert fixture into mounting collar aligning holes in the flange with tapped holes in the collar. Insert lamp, test and seal fixture according to the LS393 installation instruction sheet.



LUMASCAPE
USA INC.

LUMASCAPE USA INC.

US Head Office
1300 Industrial Rd., Unit #19
San Carlos, CA 94070
USA

Telephone
1-(650)-595-LUMA(5862)

Fax
1-(650)-595-5820

www.lumascope.com

Free Call
1-866-695-LUMA(5862)
(US & Canada)