

Lighting designer	Fitting Reference
Supplier	

Lumascap Lighting Industries has a genuine and proactive commitment to improving the safety of its fixtures and accessories. This commitment has led to the development of our Total Temperature Reduction Technology. We call it Humantouch™.

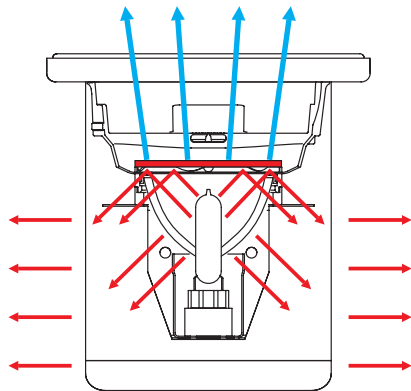
Humantouch™ ensures the temperature of all internal componentry is actively maintained well below maximum safe operating temperatures. Should circumstances threaten to overheat our fixtures, then our dual protection device simply turns the unit off.

Humantouch™ not only guarantees the optimal performance of our fixtures, but also reduces external glass temperatures to human friendly levels for public spaces where safety is the priority.

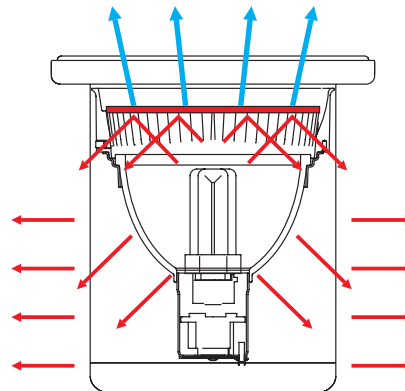
Humantouch™ is yet another innovative concept designed to increase the quality of your Lumascap product.



LS343




LS343 Metal Halide Configuration with Human Touch



LS343 Compact Fluorescent Configuration with Human Touch

Diagram also indicative of Human Touch for High Pressure Sodium & Mercury Vapour (80W max)

Compatible Source Configurations

Type	Watts		Glass temp
MH CDMT/T6	35	✓	< 65C / 149F
	70	✓	< 65C / 149F
	150	✓	< 80C / 176F
MH PAR/CDMR	35		
	70		
	100		
INC PAR30	100 (max)		
INC PAR38	150 (max)		
HPS	50	✓	< 60C / 140F
	70	✓	< 60C / 140F
	100	✓	< 60C / 140F
MV	50	✓	< 65C / 149F
	80	✓	< 65C / 149F
	125	✓	< 65C / 149F
CFL	9	✓	< 60C / 140F
	18	✓	< 60C / 140F
	26	✓	< 60C / 140F
HALO AR111	100 (max)		

Specification	
Description	Catalogue number
Notes	Lamp
	Colour

human safe glass temperatures
component safe internal temperatures

Lumascap Lighting Industries will guarantee the following product groups from the date of purchase against faulty workmanship or materials for: 1) Underwater-5 years; 2) Copper-10 years; 3) Aluminium-2 years; 4) Stainless Steel-10 years. Structural/12 months Electrical. All warranty claims must be returned to Lumascap Lighting Industries for assessment. There is no warranty offered on lamps other than lamp manufacturers warranty if any. Lumascap Lighting Industries accepts no responsibility for damage to any ancillary equipment or inconvenience caused by the failure of our products. Lumascap Lighting Industries reserves the right to alter fittings or specifications at any time.

www.lumascap.com

LUMASCAPE USA INC
Free Call 1-866-695-LUMA(5862)
T 1-(650)-595-LUMA(5862) 1-(650)-595-5820