

## LS432 Centria

At Grade



The LS432 is a ground mounted luminaire to cater for a wide range of landscape lighting applications. The height of the luminaire allows the light head to stand above plantings for an unobstructed cast of light on the target. Choices of lamps, beam angles, light and glare control accessories are available.

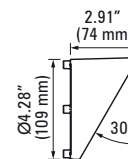
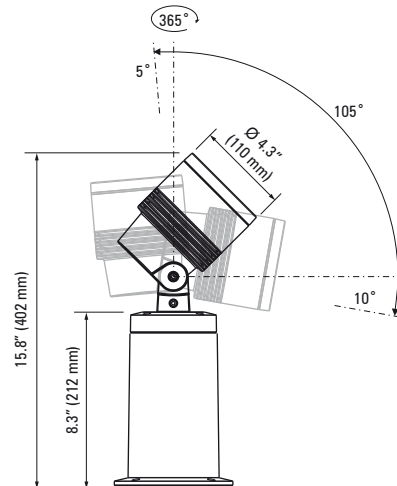
### Specifications

<b>Lamp Source</b>	20 W, 39 W, 70 W MH T4 (G8.5)
<b>Approved Use</b>	Suitable for wet locations
<b>IP Rating</b>	IP66 / IP67
<b>Construction</b>	LM20 diecast marine grade powder coated aluminum
<b>Installation Types</b>	Surface mount
<b>Ambient Operating Temperature</b>	20 W, 39 W -4 °F to 122 °F (-20 °C to +50 °C) 70 W -4 °F to 104 °F (-20 °C to +40 °C)
<b>Accessories</b> <i>Order separately</i>	<b>LS6065</b> Linear spreader lens <b>LS6066</b> Prismatic lens <b>LS6067</b> Concentric louver <b>LS6064 -R/G/B/Y</b> Dichroic filters <b>LS6104</b> External glare shield
<b>Photometrics</b>	Refer to <a href="http://www.lumascap.com">www.lumascap.com</a>
<b>Surface Temperature</b> ≤ 149 °F (≤ 65 °C)	<b>HumanTouch™</b> compliant models 20 W MH T4

*Any luminaire can become hot - take care with appropriate use and placement*



**LS432 Centria**  
Surface Mount



**LS6104** External glare shield

