

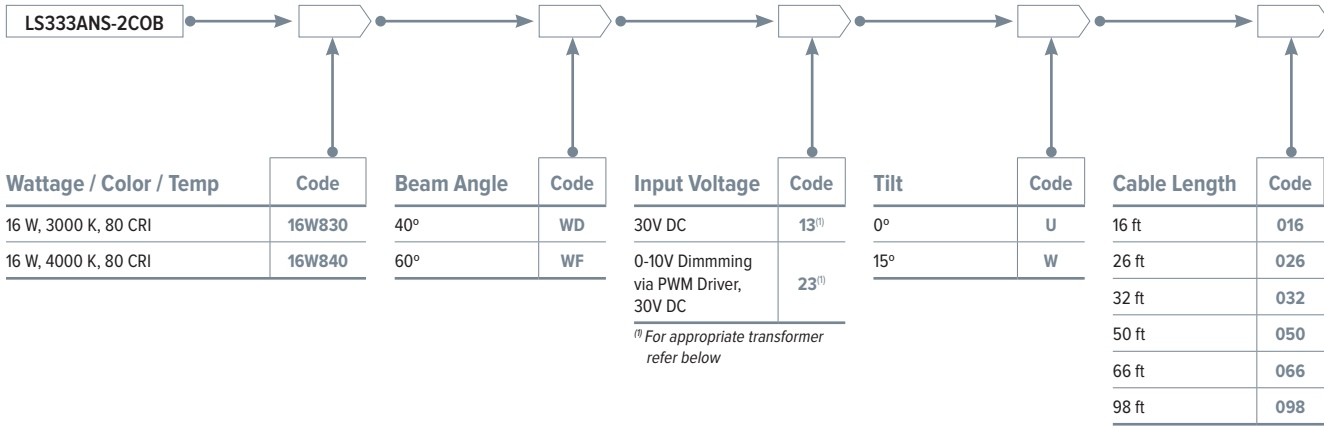
FEATURES

LS333ANS-2COB uses next generation 'chip on board' technology to deliver powerful illumination and high energy efficiency. COB LED's are an excellent light source for swimming pool illumination, given the very high lumen density and wider light distribution angles, illuminating the pool more completely. This wider fill of light improves both safety and aesthetics. The LS333ANS-2COB model is available to order with either 0° or 15° tilt.



OVERVIEW / SPECIFICATIONS

Performance	16 W Light Engine	CCT, CRI	Lumen Output (40°)	Efficacy	Peak Intensity
	☉ 75 W Incandescent Equivalent	3 000 K, 80 CRI	1 380 lm	74.2 lm/W	2 604 cd
		4 000 K, 80 CRI	1 437 lm	77.6 lm/W	2 710 cd
	Available Beam Angles	40°, 60° (Diffuser lens options available)			
	TM-21 Lumen Maintenance (L70)	>60 500 hrs			
Electrical	Power Consumption	19 W			
	Input Voltage	30 V DC			
	Underwater Cord	16 AWG (1.3 mm ²) cable. Refer ordering matrix for standard options. For custom cable length consult factory. Cable cannot be field installed.			
Control	Dimming Options	0-10 V to 10%			
Construction	IP Rating	IP68 to 6' (2 m)			
	IK Rating	IK10			
	Construction Details	316 marine grade stainless steel, tempered OptiClear™ glass lens, teflon coated cover screws			
	Finish	316 marine grade stainless steel			
	Dimensions	Ø4.5" (115mm) x 4.7" (120mm)			
	Ambient Operating Temperatures	-40° F to 122° F (-40° C to 50° C)			
	Surface Temperature	≤140° F (60° C)			
Mounting & Adjustability	Adjustability	Fixed 0° and 15° Tilt			
	Standard Mounting	Wet niche - Recessed			
	Weight	3.5 lb (1.6 kg)			
Ratings & Approvals	Approved Use	Swimming Pool, Spa and Fountain			
	Certifications (Pending)	ETL, CE, RCM, CCC			

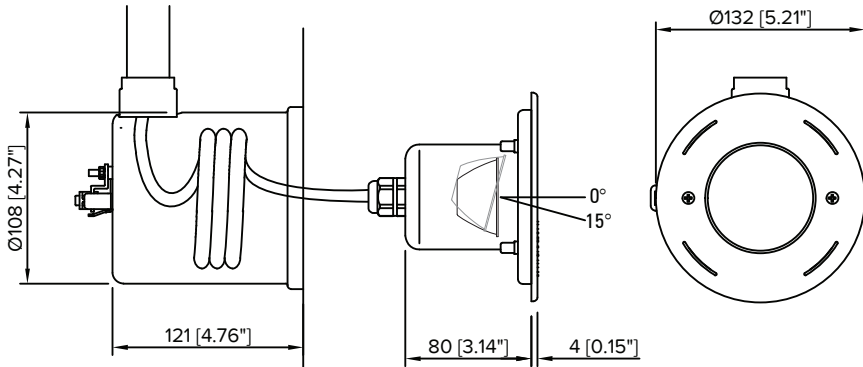


Optical Accessories	Code
10° Diffuser	LS6145-10
20° Diffuser	LS6145-20
30° Diffuser	LS6145-30
40° Diffuser	LS6145-40

Wiring Diagram Reference

Voltage Code	Control Type	Wire Gauge	Wiring Diagram
13	Non Dim	16 AWG (1.3 mm ²)	3
23	0-10 V via PWM	16 AWG (1.3 mm ²)	11

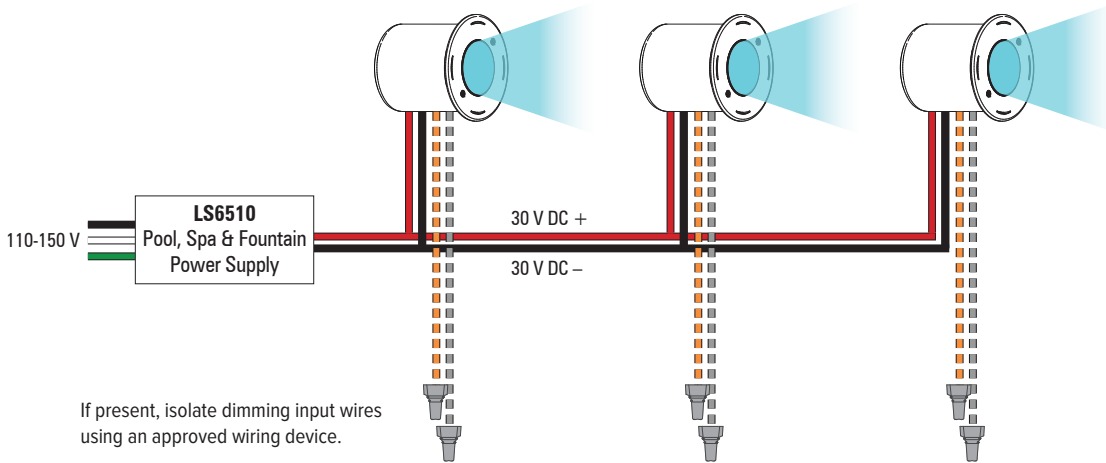
Luminaire Dimensions



Wiring Diagrams

Diagram 3 - Non Dimming - Low Voltage Submersible LED Luminaire on 30 V DC Circuit

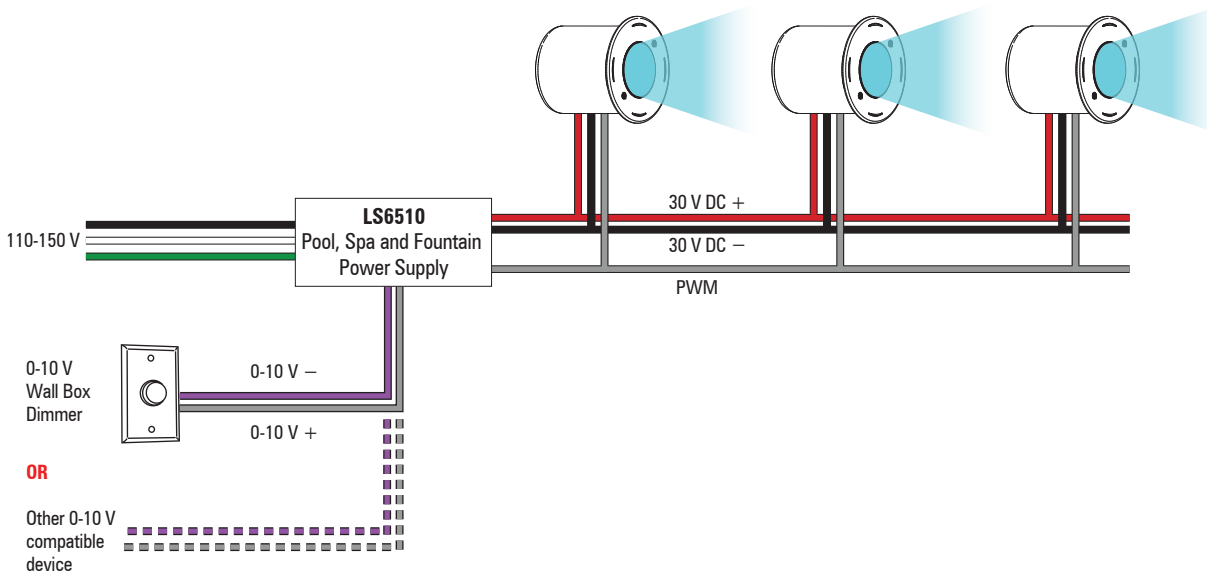
Please note: the use of a GFCI may be required. Consult local wiring rules.



Use Transformer Compatibility Table below to determine maximum number of luminaires the transformer or power supply can support.

Diagram 11 - 0-10 V Dimming LS333ANS-2COB on 30 V DC Circuit

Please note: the use of a GFCI may be required. Consult local wiring rules.



NOTE: The above diagrams are intended to show electrical pathways between luminaires and ancillary devices. These diagrams are not intended to show type or color of cord/wire, luminaire input voltage rating, wire gauge or approved use of the cord/wire supplied with luminaires.

Consult the luminaire-specific cutsheet or the factory for detailed specifications.

Pool, Spa and Fountain Approved LED Power Supplies

LS6510

Power Unit for Pool & Spa Applications

Input	110-150 V, 50/60 Hz
Rating	240 W / 120W
Output	30 V DC
Ambient Temp. Rating	-40°F to 122°F (-40°C to 50°C)
Output Circuits	1
Control Protocols (Optional)	0-10 V, DMX
Approvals (Pending)	ETL, CE, RCM
IP Rating	IP65
Dimensions	H 13.42" (341 mm) W 9.29" (236 mm) L 4.74" (120 mm)

Transformer Compatibility Table

The following table confirms electrical compatibility between the luminaire and power supply. This table also indicates the maximum number of luminaires a power supply may support. This is indicated by the value shown. Please note, this does not take into consideration voltage drop or ampacity limits of the branch circuit. For dimmable, low voltage luminaires, additional components may be required. Refer to the applicable wiring diagram/s. For assistance, please contact factory.

	Pool, Spa and Fountain Approved Power Supplies	
	LS6510-30V-120W	LS6510-30V-240W
Input Voltage	110-150 V, 50/60 Hz	110-150 V, 50/60 Hz
Output Voltage	30 V	30 V
Wattage	120 W	240 W
LS333ANS-2COB	4	9