

FEATURES

LS411COB uses next generation 'Chip on Board' technology to deliver powerful illumination and efficiency from a compact package. The high lumen density, combined with the traditional 'lamp and reflector' optics package makes the LS411COB ideal for applications requiring wider distribution such as landscape lighting or other applications where sharp cutoff is not desired. Featuring a wide range of color temperatures and optical/shielding combinations, the LS411COB retains the versatility of its discrete LED predecessor whilst dramatically boosting delivered lumens.

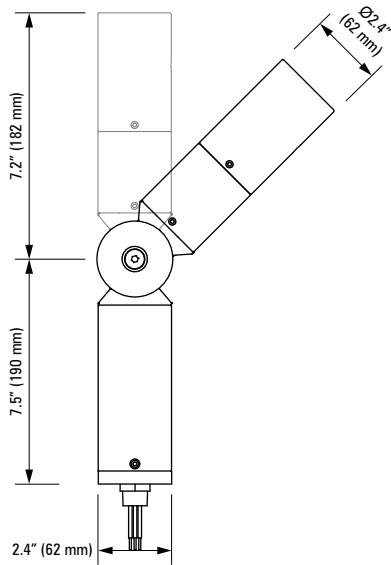


OVERVIEW / SPECIFICATIONS

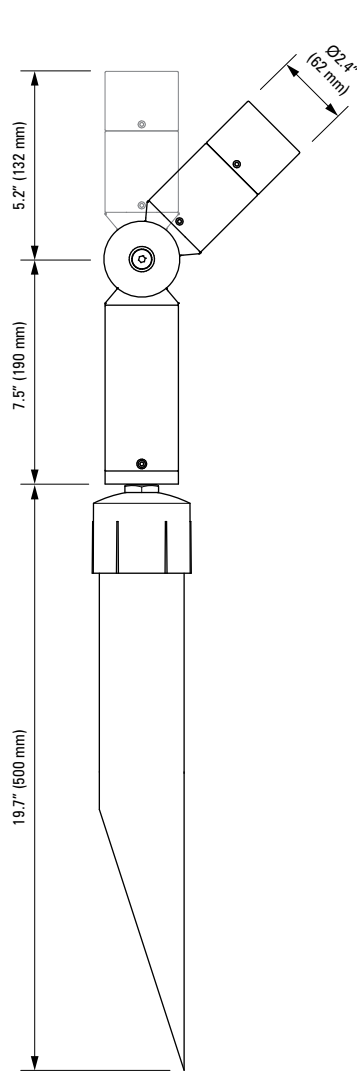
Performance	20 W Light Engine	CCT, CRI	Lumen Output (40°)	Efficacy	Peak Intensity
		2700 K, 80 CRI	1355 lm	52 lm/W	2494 cd
		2700 K, 90 CRI	1128 lm	44 lm/W	2120 cd
		3000 K, 80 CRI	1321 lm	52 lm/W	2494 cd
		4000 K, 80 CRI	1425 lm	56 lm/W	2745 cd
		5000 K, 70 CRI	1468 lm	56 lm/W	2729 cd
		Available Beam Angles	20°, 40°, 60°		
	Shielding and Glare Control	Flush Lens Snoot			
	TM-21 Lumen Maintenance (L70)	> 60 000 hrs			
Electrical	Power Consumption	24 W			
	Input Voltage	120-277V, 50/60Hz			
Control	Dimming Options	0-10V to 20%			
Construction	IP Rating	IP67			
	Construction Details	Die cast marine grade aluminum, tempered glass lens, stainless steel fasteners.			
	Finish	9-step powdercoat process, including marine epoxy undercoat and polyester top coat.			
	Dimensions	Ø2.4" (61mm) x 13.1" (334mm)			
	Installation Options	Ground Mounted			
	Ambient Operating Temperatures	-40°F to 122°F (-40°C to 50°C)			
	Surface Temperature	≤113° F (45° C)			
Mounting & Adjustability	Adjustability	±100° tilt, 360° rotation			
	Standard Mounting	4" (108 mm) Surface Mounting Base Ground Stake			
	Weight	3.7 lb (1.7 kg)			
	EPA	0.24 ft² (225 cm²)			
Ratings & Approvals	Approved Use	Dry, Damp, Wet locations			

DIMENSIONS & ADJUSTABILITY

Luminaire Dimensions

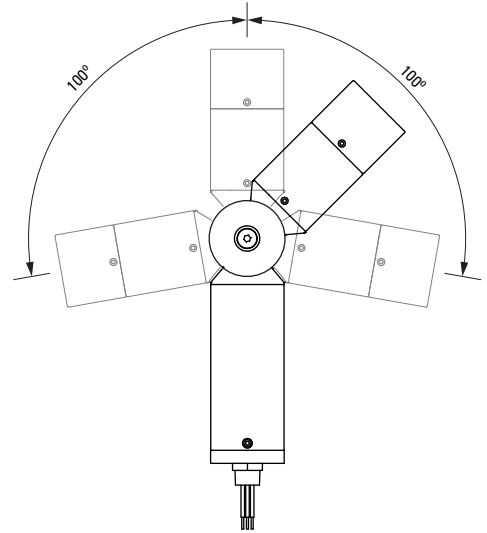


LS411COB wt Snoot

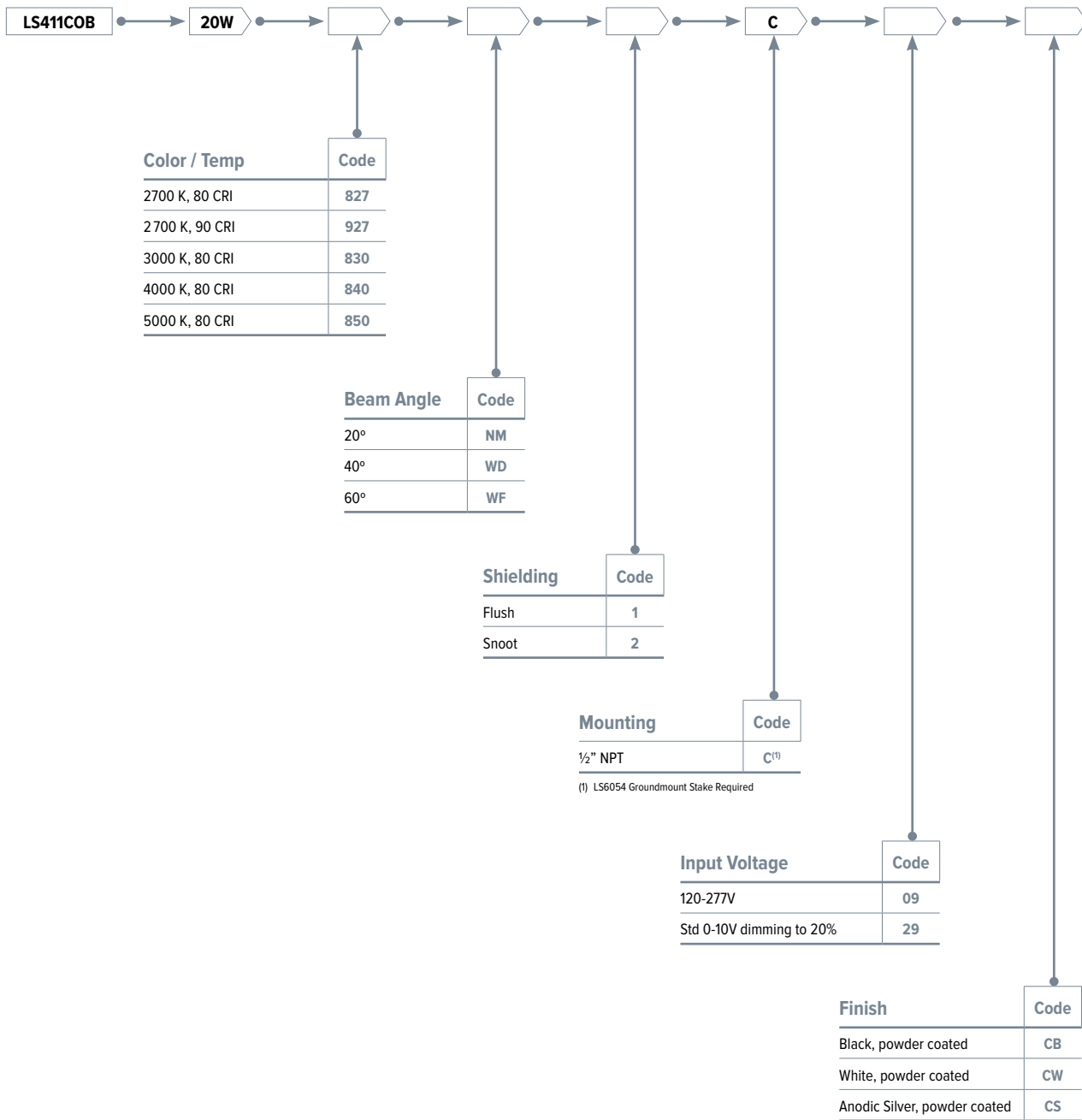


LS411COB Flush wt LS6054Groundmount Stake

Luminaire Rotation



ORDER CODE



Mounting Accessories	Code
Groundmount Stake	LS6054