

## FEATURES

LS411COB uses next generation 'Chip on Board' technology to deliver powerful illumination and efficiency from a compact package. The high lumen density, combined with the traditional 'lamp and reflector' optics package makes the LS411COB ideal for applications requiring wider distribution such as landscape lighting or other applications where sharp cutoff is not desired. Featuring a wide range of color temperatures and optical/shielding combinations, the LS411COB retains the versatility of its discrete LED predecessor whilst dramatically boosting delivered lumens.

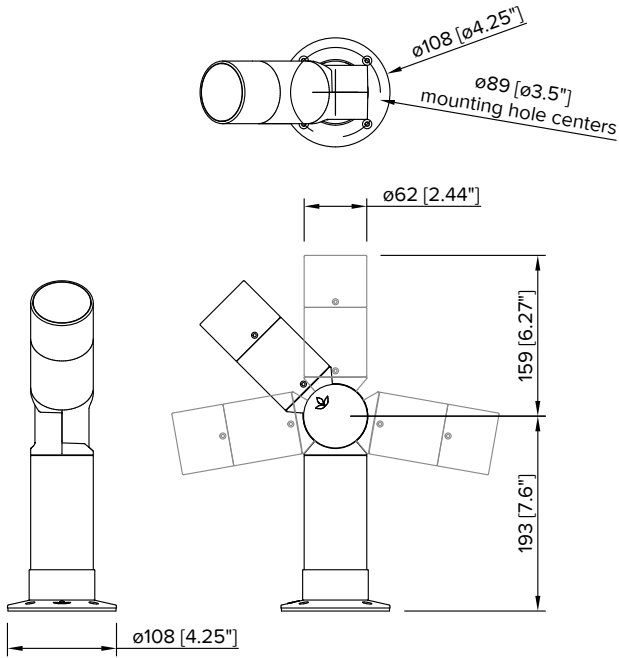


## OVERVIEW / SPECIFICATIONS

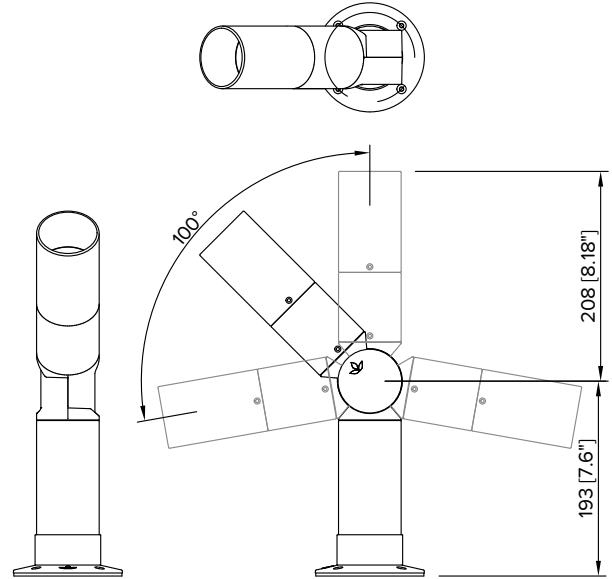
<b>Performance</b>	20 W Light Engine	CCT, CRI	Lumen Output (40°)	Efficacy	Peak Intensity
		2700 K, 80 CRI	1355 lm	52 lm/W	2494 cd
		2700 K, 90 CRI	1128 lm	44 lm/W	2120 cd
		3000 K, 80 CRI	1321 lm	52 lm/W	2494 cd
		4000 K, 80 CRI	1425 lm	56 lm/W	2745 cd
		5000 K, 70 CRI	1468 lm	56 lm/W	2729 cd
		Available Beam Angles	20°, 40°, 60°		
	Shielding and Glare Control	Flush Lens Snoot			
	TM-21 Lumen Maintenance (L70)	> 60 000 hrs			
<b>Electrical</b>	Power Consumption	24 W			
	Input Voltage	110-240V, 50/60Hz (International Market) 120-277V, 50/60Hz (North American Market)			
<b>Control</b>	Dimming Options	0-10V to 20%			
<b>Construction</b>	IP Rating	IP67			
	Construction Details	Die cast marine grade aluminum, tempered glass lens, stainless steel fasteners.			
	Finish	9-step powdercoat process, including marine epoxy undercoat and polyester top coat.			
	Dimensions	Ø2.4" (61mm) x 13.1" (334mm)			
	Installation Options	Surface Mounted			
	Ambient Operating Temperatures	-40°F to 122°F (-40°C to 50°C)			
	Surface Temperature	≤113° F (45° C)			
<b>Mounting &amp; Adjustability</b>	Adjustability	±100° tilt, 360° rotation			
	Standard Mounting	Base to suit surface mount / 4" junction box mount			
	Weight	3.7 lb (1.7 kg)			
	EPA	0.24 ft² (225 cm²)			
<b>Ratings &amp; Approvals</b>	Approved Use	Dry, Damp, Wet locations			

DIMENSIONS & ADJUSTABILITY

Flush Lens Option



Snoot Option



ORDER CODE

