

LS741LED Piazza

Wallmount



The LS741LED is a compact, fixed position, direct/indirect accent used for grazing walls or other accent illumination tasks. The luminaire is constructed from 316 marine grade stainless steel with Lumascape's proprietary **ElectroPolishPlus™** surface treatment, to provide a long life even in coastal environments. This luminaire is ideal for use in modern architectural designs, and now features new Lumascape d5 driver technology for advanced dimming and control options.

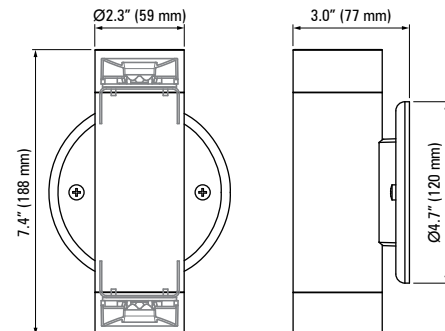
Specifications

Lamp Source	2 x 3 W LED <input type="checkbox"/> White (4 300 K typical) <input type="checkbox"/> Warm white (3 000 K typical) <input type="checkbox"/> Blue (470 nm) <i>Other colors by request</i>
Approved Use	Suitable for wet locations
Control Options	0-10 V On-site or factory-programmable brightness
IP Rating	IP65
Construction	316 marine grade stainless steel
Remote Transformers / Power Supplies	LSLED-15V20W277 J-box power supply for non-dimming applications <i>Order separately</i>
Ambient Operating Temperature	-40 °F to 122 °F (-40 °C to +50 °C)
Photometrics	Refer to www.lumascap.com

Any luminaire can become hot - take care with appropriate use and placement



LS741LED Piazza



LAMP				OPTICAL SYSTEM		INPUT VOLTAGE	
Description	Wattage	Color	Code	Beam	Code	Description	Code
LED	2 x 3 W	White (4 300 K typ.)	6W4	Narrow 14°	NR	12-15 V, 60 Hz or 12-24 V DC	13 ⁽¹⁾
		Warm white (3 000 K typ.)	6H6	Narrow Medium 25°	NM	PWM Dimmable Driver, 12-15 V, 60 Hz or 12-24 V DC	23 ⁽¹⁾
		Blue (470 nm)	6B4	Medium 30°	ME		
				Wide 40°	WD		

⁽¹⁾ For appropriate transformer.

Wiring Diagram Reference

Input Voltage	LED Color	Control Type	Wiring Diagram
13	Single Color	Non Dim	2
23	Single Color	0-10 V	3,4

Photometrics

Photometric data is based on test results from a NIST traceable testing lab. IES data is available at www.lumescape.com.
 Note: No depreciation factor is applied to the data shown.

LS741LED
4 300 K⁽¹⁾
25° Beam Angle

Power Input	3.5
Lumens	223
Efficacy	64 Lm/W

⁽¹⁾ To approximate warm white data, multiply by 0.84. Refer web site for IES files for all color temperatures.

Polar Candela Distribution

	C 0°	C 15°	C 30°	C 45°	C 60°	C 75°	C 90°
0°	1238	1238	1238	1238	1238	1238	1238
10°	616	647	683	704	731	757	817
20°	53	54	49	63	69	80	92
30°	13	13	13	15	16	16	18
40°	3	6	7	6	5	6	8
50°	0	0	0	0	0	0	0
60°	0	0	0	0	0	0	0
70°	0	0	0	0	0	0	0
80°	0	0	0	0	0	0	0
90°	0	0	0	0	0	0	0

Illuminance at a Distance

ft	Center Beam fc	Beam Ø
5	49.5	2 ft
10	12.4	4 ft
15	5.5	7 ft
25	2	11 ft
30	1.4	13 ft
40	0.8	18 ft
50	0.5	22 ft

LS741LED
4 300 K⁽¹⁾
30° Beam Angle

Power Input	3.5
Lumens	201
Efficacy	57 Lm/W

⁽¹⁾ To approximate warm white data, multiply by 0.84. Refer web site for IES files for all color temperatures.

Polar Candela Distribution

	C 0°	C 15°	C 30°	C 45°	C 60°	C 75°	C 90°
0°	670	670	670	670	670	670	670
10°	447	448	469	457	465	472	480
20°	154	156	162	171	180	186	195
30°	33	34	38	44	49	47	55
40°	5	6	8	9	10	8	7
50°	0	0	0	0	0	0	0
60°	0	0	0	0	0	0	0
70°	0	0	0	0	0	0	0
80°	0	0	0	0	0	0	0
90°	0	0	0	0	0	0	0

Illuminance at a Distance

ft	Center Beam fc	Beam Ø
5	26.8	3 ft
10	6.7	5 ft
15	3	8 ft
25	1.1	13 ft
30	0.7	16 ft
40	0.4	21 ft
50	0.3	27 ft

LS741LED
4 300 K⁽¹⁾
40° Beam Angle

Power Input	3.5
Lumens	199
Efficacy	57 Lm/W

⁽¹⁾ To approximate warm white data, multiply by 0.84. Refer web site for IES files for all color temperatures.

Polar Candela Distribution

	C 0°	C 15°	C 30°	C 45°	C 60°	C 75°	C 90°
0°	341	341	341	341	341	341	341
10°	283	279	278	277	278	281	286
20°	154	150	147	146	146	150	158
30°	60	58	62	60	57	58	63
40°	19	19	22	20	18	18	21
50°	4	4	5	4	4	4	4
60°	0	0	0	0	0	0	0
70°	0	0	0	0	0	0	0
80°	0	0	0	0	0	0	0
90°	0	0	0	0	0	0	0

Illuminance at a Distance

ft	Center Beam fc	Beam Ø
5	13.6	4 ft
10	3.4	7 ft
15	1.5	11 ft
25	0.5	18 ft
30	0.4	22 ft
40	0.2	29 ft
50	0.1	36 ft

Diagram 2 - Non Dimming - Low Voltage LED Luminaire on a Low Voltage Circuit

Please note: for submersible lighting applications, the use of a GFCI may be required. Consult local wiring rules.

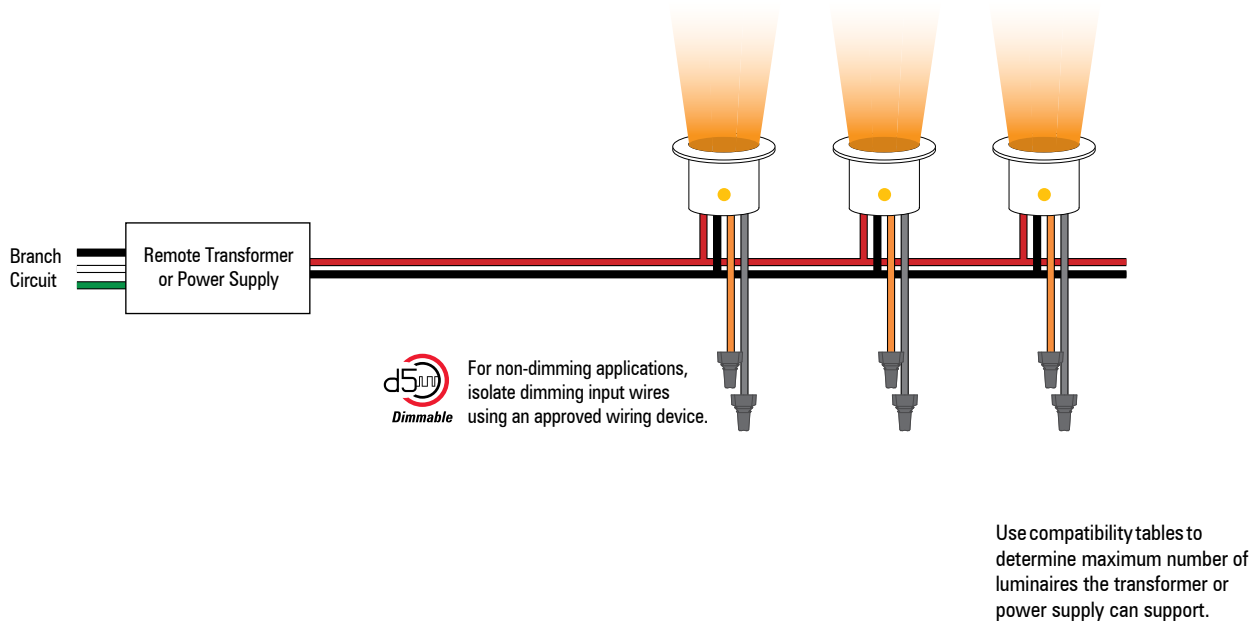
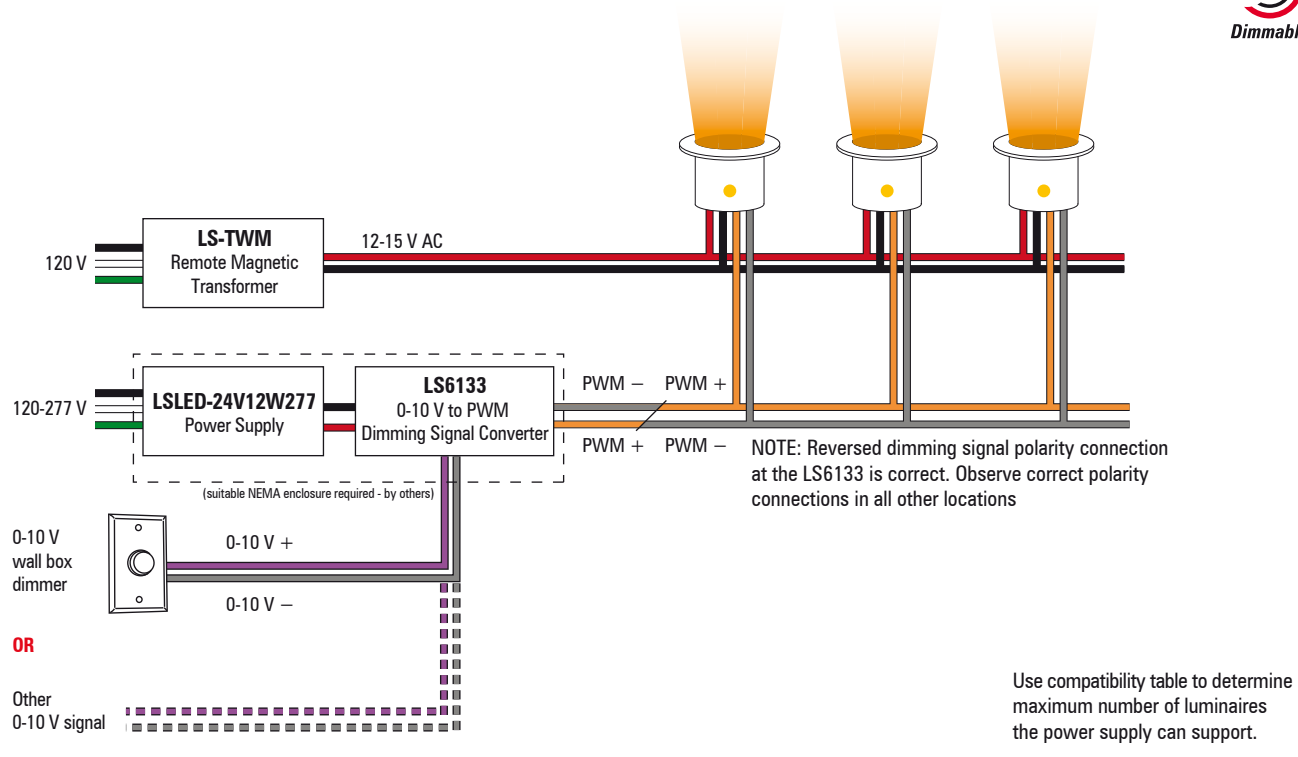


Diagram 3 - 0-10 V Dimming - Low Voltage LED Luminaire with d5 Driver on 12-15 V AC Circuit

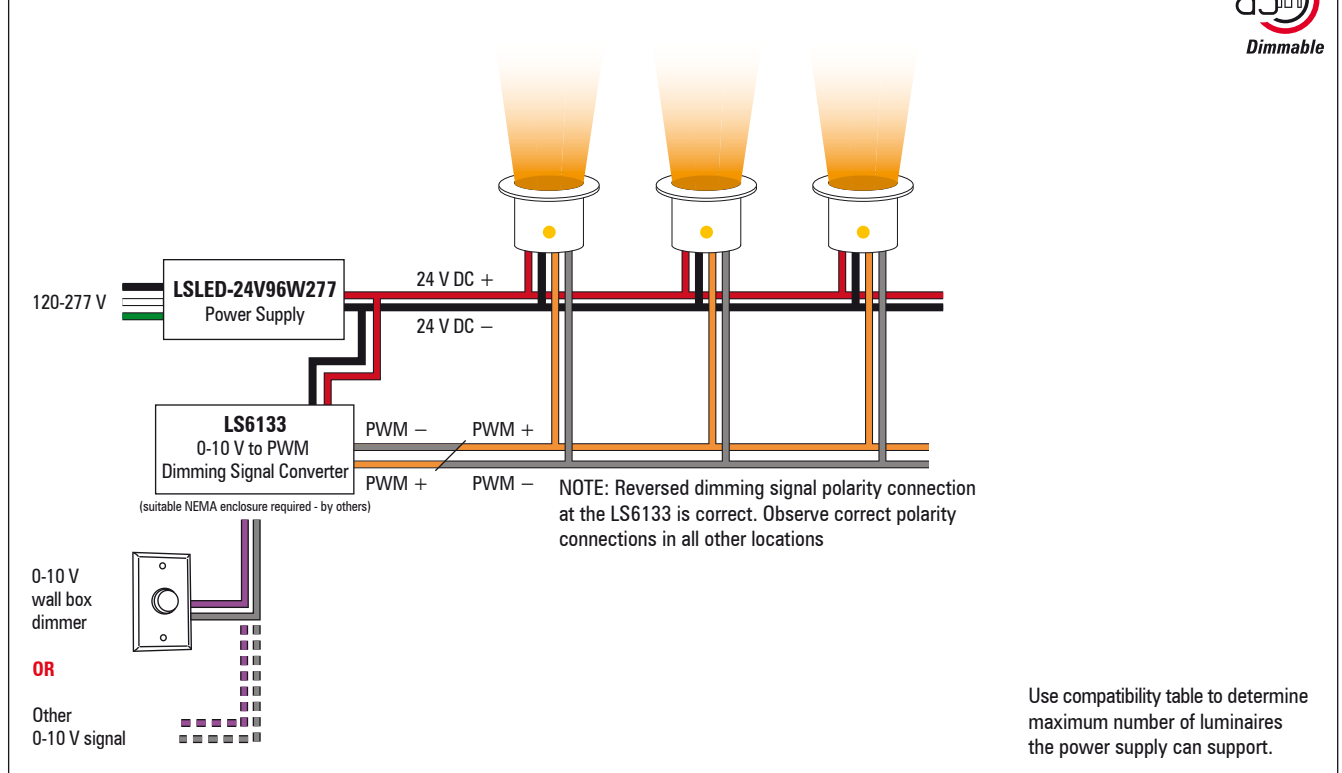


NOTE: The above diagrams are intended to show electrical pathways between luminaires and ancillary devices. These diagrams are not intended to show type or color of cord/wire, wire gauge or approved use of the cord/wire supplied with luminaires.

Consult the luminaire-specific cutsheet or the factory for detailed specifications.



Diagram 4 - 0-10 V Dimming - Low Voltage LED Luminaire with d5 Driver on 24 V DC Circuit



NOTE: The above diagrams are intended to show electrical pathways between luminaires and ancillary devices. These diagrams are not intended to show type or color of cord/wire, wire gauge or approved use of the cord/wire supplied with luminaires.

Consult the luminaire-specific cutsheet or the factory for detailed specifications.

Transformers and Power Supplies for Low Voltage LED Luminaires

The following list of transformers and power supplies are for use with luminaires specifically described as being compatible with either 12 V AC (wirewound only) transformers or with 12-24 V DC power supplies. Compatibility will be noted in the ordering code of the luminaire concerned, and will typically be referenced by Voltage Code '13' or '13-DIM'. In the case of '13-DIM' additional components may be required. Refer to the applicable wiring diagram/s.

Compatibility with each transformer or power supply is indicated by the value mentioned, representing the maximum number of luminaires that may be powered from each transformer or power supply. Please note, this does not take into consideration voltage drop or ampacity limits of the branch circuit. For assistance, please contact factory.

	Wall Mounted Landscape Lighting Transformers			Wall Mounted Transformers				Class 2 Power Supply	Direct Burial Transformer
	LS-TWM-1-300	LS-TWM-2-600	LS-TWM-3-900	LS-TWM-50	LS-TWM-100	LS-TWM-150	LS-TWM-250	LSLED-24V96W277	LS-TDB1-300
Input Voltage	120 V, 60 Hz	120 V, 60 Hz	120 V, 60 Hz	120 V, 60 Hz	120 V, 60 Hz	120 V, 60 Hz	120 V, 60 Hz	120-277 V, 50/60 Hz	120 V, 60 Hz
Output Voltage	12/13/14/15 V 60 Hz	12/13/14/15 V 60 Hz	12/13/14/15 V 60 Hz	12 V, 60 Hz	12 V, 60 Hz	12 V, 60 Hz	12 V, 60 Hz	24 V DC	12.5 V, 60 Hz
Wattage	1 x 300 W circuit	2 x 300 W circuits	3 x 300 W circuits	50 W	100 W	150 W	250 W	96 W	300 W
LS741LED	23	46	69	3	7	11	19	9	23

Transformers for Landscape Lighting Applications

LS-TWM-1-300

Magnetic transformer - wall mounted

Input	120 V
Rating	300 W
Output	12/13/14/15 V
Output Circuits	1
Protection	Electrostatic shield, magnetic breaker
Approvals	UL, CUL
NEMA Rating	3R
Construction	Stainless steel
Dimensions	H 17.6" (447 mm) W 6.8" (173 mm) D 6.19" (157 mm)
Weight	27 lb (12.3 kg)

LS-TWM-3-900

Magnetic transformer - wall mounted

Input	120 V
Rating	900 W
Output	12/13/14/15 V
Output Circuits	3
Protection	Electrostatic shield, magnetic breaker
Approvals	UL, CUL
NEMA Rating	3R
Construction	Stainless steel
Dimensions	H 18.6" (472 mm) W 7.8" (198 mm) D 6.19" (157 mm)
Weight	34 lb (15.5 kg)

LS-TWM-2-600

Magnetic transformer - wall mounted

Input	120 V
Rating	600 W
Output	12/13/14/15 V
Output Circuits	2
Protection	Electrostatic shield, magnetic breaker
Approvals	UL, CUL
NEMA Rating	3R
Construction	Stainless steel
Dimensions	H 17.6" (447 mm) W 6.8" (173 mm) D 6.19" (157 mm)
Weight	29 lb (13.2 kg)

LS-TDB1-300

Magnetic transformer - direct burial

Input	120 V
Rating	300 W
Output	12.5 V
Output Circuits	1
Protection	Circuit breaker
Approvals	ETL (US and Canada)
NEMA Rating	12
Construction	Reinforced composite
Dimensions	H 9" (229 mm) W 9" (229 mm) D 7" (178 mm)
Weight	8 lb (3.6 kg)

Wall Mounted Transformers

LS-TWM-50

Magnetic transformer - wall mounted

Input	120 V or 240 V
Rating	50 W
Output	12 V or 24 V
Output Circuits	1
Protection	Isolation type transformer
Approvals	UL, CUL
NEMA Rating	3R
Construction	Powder coated steel
Dimensions	H 8.03" (204 mm) W 3.31" (84 mm) D 3.08" (78 mm)
Weight	4.4 lb (2 kg)

LS-TWM-150

Magnetic transformer - wall mounted

Input	120 V or 240 V
Rating	150 W
Output	12 V or 24 V
Output Circuits	1
Protection	Isolation type transformer
Approvals	UL, CUL
NEMA Rating	3R
Construction	Powder coated steel
Dimensions	H 8.03" (204 mm) W 3.31" (84 mm) D 3.08" (78 mm)
Weight	5.6 lb (2.5 kg)

LS-TWM-100

Magnetic transformer - wall mounted

Input	120 V or 240 V
Rating	100 W
Output	12 V or 24 V
Output Circuits	1
Protection	Isolation type transformer
Approvals	UL, CUL
NEMA Rating	3R
Construction	Powder coated steel
Dimensions	H 8.03" (204 mm) W 3.31" (84 mm) D 3.08" (78 mm)
Weight	4.8 lb (2.2 kg)

LS-TWM-250

Magnetic transformer - wall mounted

Input	120 V or 240 V
Rating	250 W
Output	12 V or 24 V
Output Circuits	1
Protection	Isolation type transformer
Approvals	UL, CUL
NEMA Rating	3R
Construction	Powder coated steel
Dimensions	H 8.03" (204 mm) W 3.31" (84 mm) D 3.08" (78 mm)
Weight	6.7 lb (3 kg)

Class 2 LED Power Supplies

LSLED-24V96W277

Electronic DC power supply - wall mounted

Input	120-277 V, 50/60 Hz
Rating	96 W / 4 A
Output	24 V DC
Output Circuits	1
Approvals	CSA, CSA-US
Location	Wet location
Dimensions	H 12.32" (313 mm) W 2.54" (65 mm) D 1.67" (42 mm)
Weight	2 lb (0.9 kg)

LSLED-24V12W277

Electronic DC power supply - NEMA enclosure required (by others)

Input	120-277 V, 50/60 Hz
Rating	12 W / 0.5 A
Output	24 V DC
Output Circuits	1
Approvals	UL, CUL Recognized, Class 2
IP rating	IP66
Location	Wet location
Dimensions	H 3.35" (85 mm) W 1.42" (36 mm) D 0.91" (23 mm)
Weight	0.282 lb (0.1 kg)

Control Related Equipment

LS6133

0-10 V to PWM translator - NEMA enclosure required (by others)

Input	24 V DC		
Rating	96 W max		
Output	4 A max		
Output Circuits	1		
Approvals	UL, CUL Recognized, Class 2		
IP Rating	IP66		
Dimensions	H 5.2" (132 mm)	W 1.3" (33 mm)	D 1" (25 mm)
Weight	0.2 lb (0.1 kg)		

LS67100

DMX to PWM translator - dry location only

Input	24 V DC		
Rating	4 x 60 W max		
Output	4 x 2.5 A max		
Output Circuits	4		
Approvals	UL, CUL		
IP Rating	N/A		
Dimensions	H 11.25" (286 mm)	W 4.6" (117 mm)	D 3.2" (82 mm)
Weight	0.5 lb (0.2 kg)		

