

## LS321-2LED Double Pagoda

Wallmount



The LS321-2LED is a compact, adjustable, direct or indirect accent used for grazing walls or other accent illumination tasks. The luminaire is constructed from either copper or powder coated aluminum, providing a variety of aesthetic options. This luminaire is ideal for use in modern architectural designs, and now features new Lumascape d5 driver technology for advanced dimming and control options.

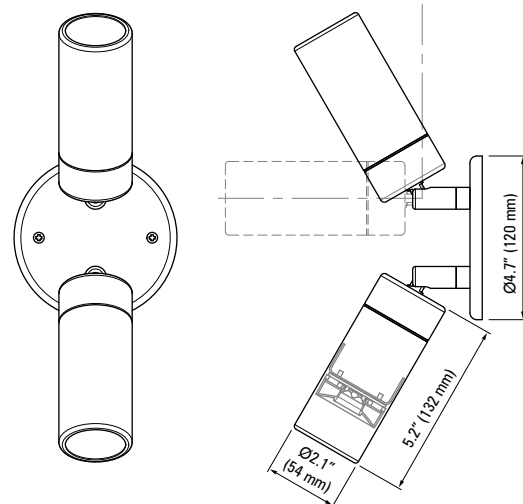
### Specifications

<b>Lamp Source</b>	2 x 6 W LED <input type="checkbox"/> White (4 300 K typical) <input type="checkbox"/> Warm white (3 000 K typical) <input type="checkbox"/> Blue (470 nm)
<b>Approved Use</b>	Suitable for wet locations
<b>Control Options</b>	0-10 V On-site or factory-programmable brightness
<b>IP Rating</b>	IP65
<b>Construction</b>	Powder coated aluminum <input checked="" type="checkbox"/> Black <input type="checkbox"/> Silver Polished copper
<b>Installation Type</b>	Wall mount
<b>Remote Transformers / Power Supplies</b>	<b>LSLED-15V20W277</b> J-box power supply for non-dimming applications <i>Order separately</i>
<b>Ambient Operating Temperature</b>	-4 °F to 104 (-20 °C to 40 °C)
<b>Photometrics</b>	Refer to <a href="http://www.lumascap.com">www.lumascap.com</a>

Any luminaire can become hot - take care with appropriate use and placement



LS321-2LED Double Pagoda



LAMP		OPTICAL SYSTEM			INPUT VOLTAGE		FINISH			
Description	Wattage	Color	Code	Beam	Code	Description	Code	Description	Material	Code
LED	2 x 6 W	White (4 300 K typical)	<b>12W4</b>	Narrow 14°	<b>NR</b>	PWM Dimmable Driver, 12-15 V, 60 Hz or 12-24 V DC <sup>(1)</sup> For appropriate transformer.	<b>23<sup>(1)</sup></b>	Black, powder coated	Aluminum	<b>CB</b>
		Warm white (3 000 K typical)	<b>12H6</b>	Narrow Medium 25°	<b>NM</b>			Silver, powder coated	Aluminum	<b>CS</b>
		Blue (470 nm)	<b>12B4</b>	Medium 30°	<b>ME</b>			Polished	Copper	<b>CU</b>
				Wide 40°	<b>WD</b>					

### Wiring Diagram Reference

Input Voltage	LED Color	Control Type	Wiring Diagram
23	Single Color	Non Dim	2
23	Single Color	0-10 V	3,4

Photometrics

Photometric data is based on test results from a NIST traceable testing lab. IES data is available at [www.lumescape.com](http://www.lumescape.com).  
 Note: No depreciation factor is applied to the data shown.

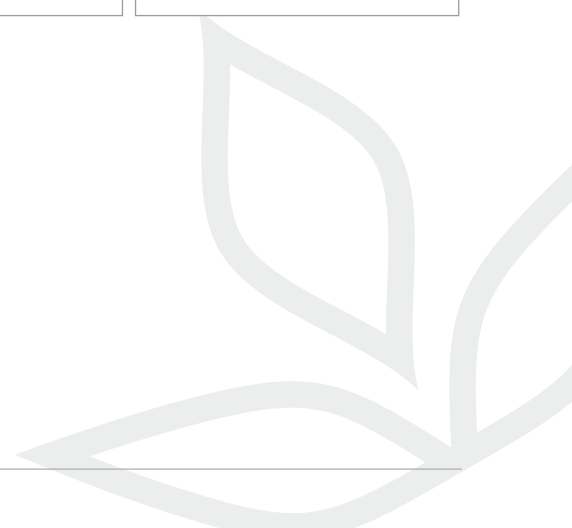
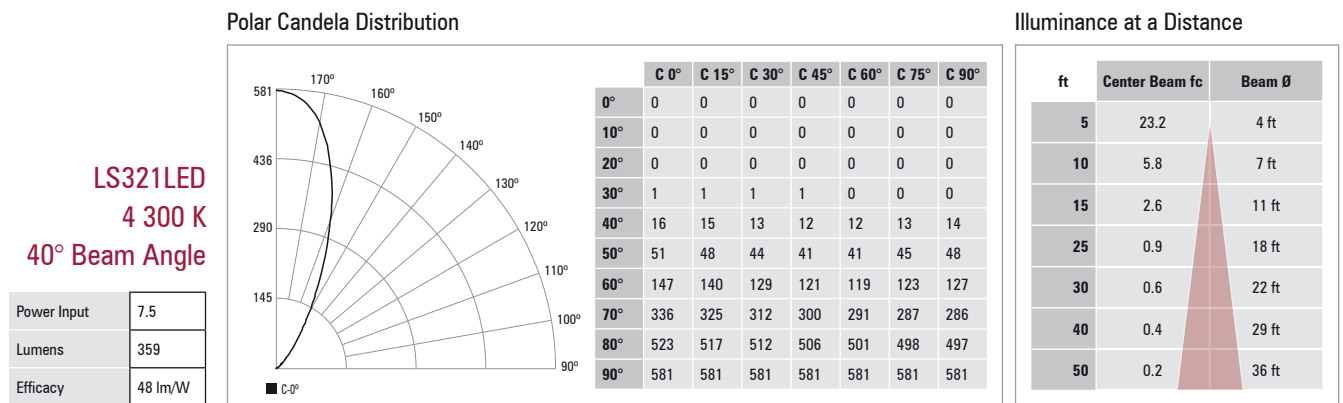
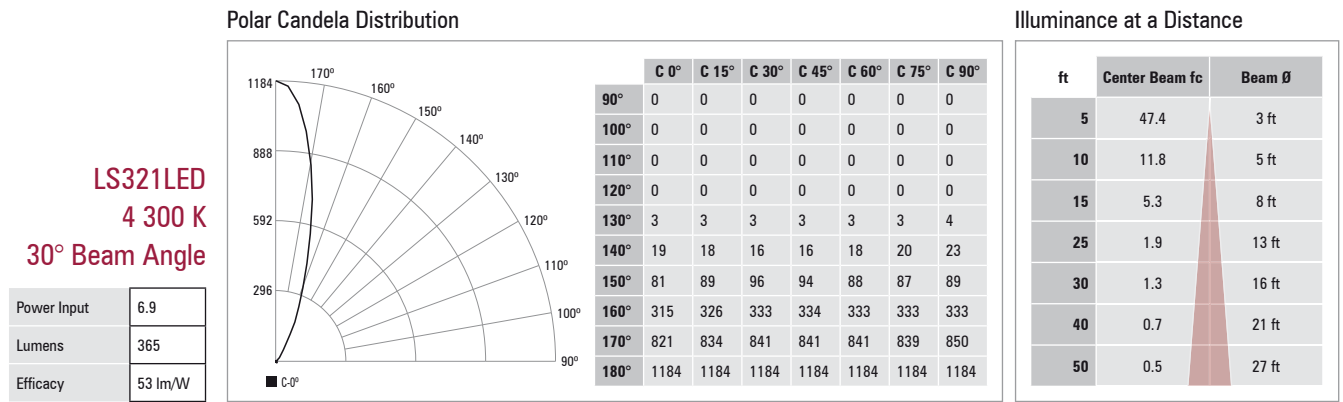
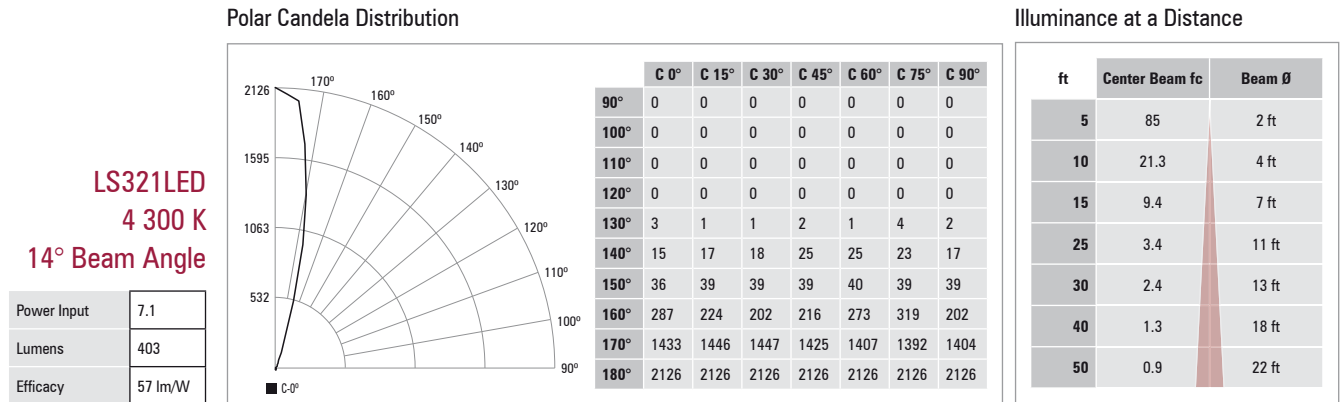


Diagram 2 - Non Dimming - Low Voltage LED Luminaire on a Low Voltage Circuit

Please note: for submersible lighting applications, the use of a GFCI may be required. Consult local wiring rules.

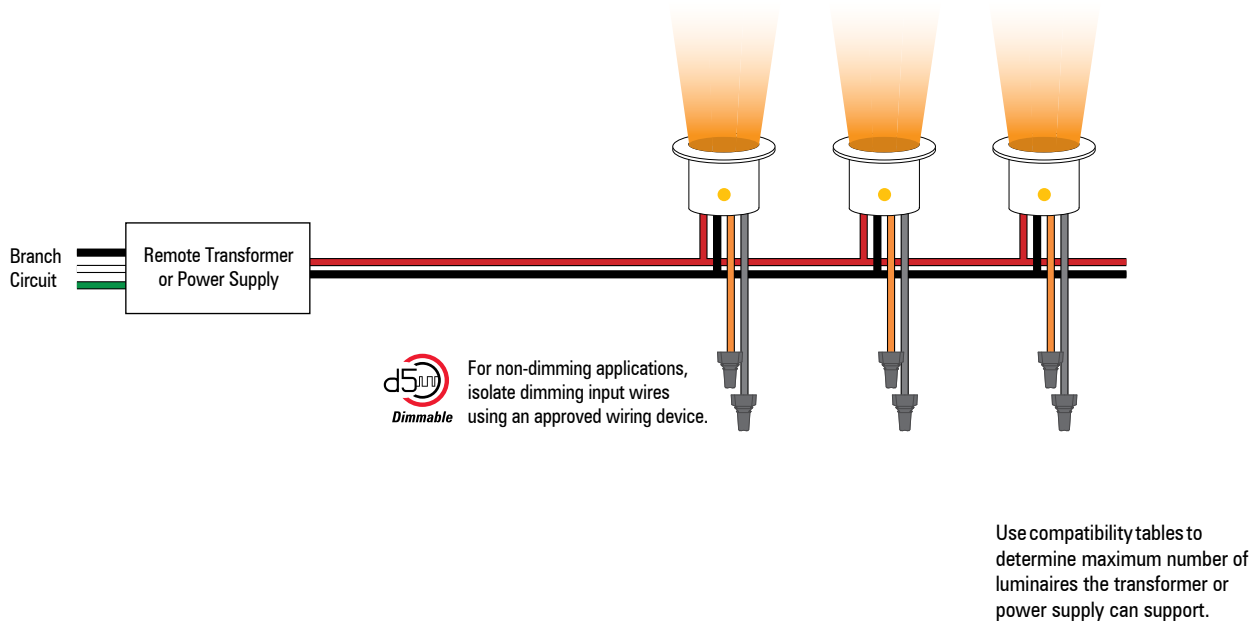
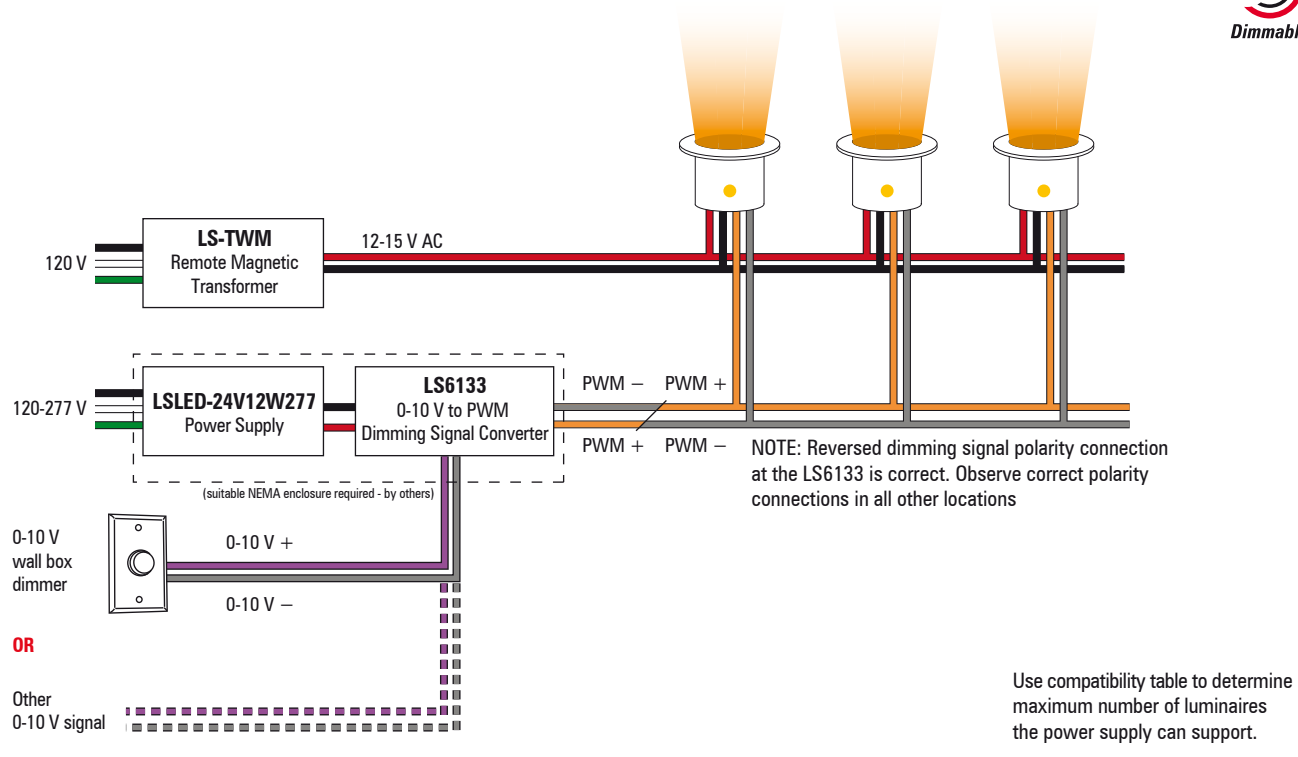


Diagram 3 - 0-10 V Dimming - Low Voltage LED Luminaire with d5 Driver on 12-15 V AC Circuit

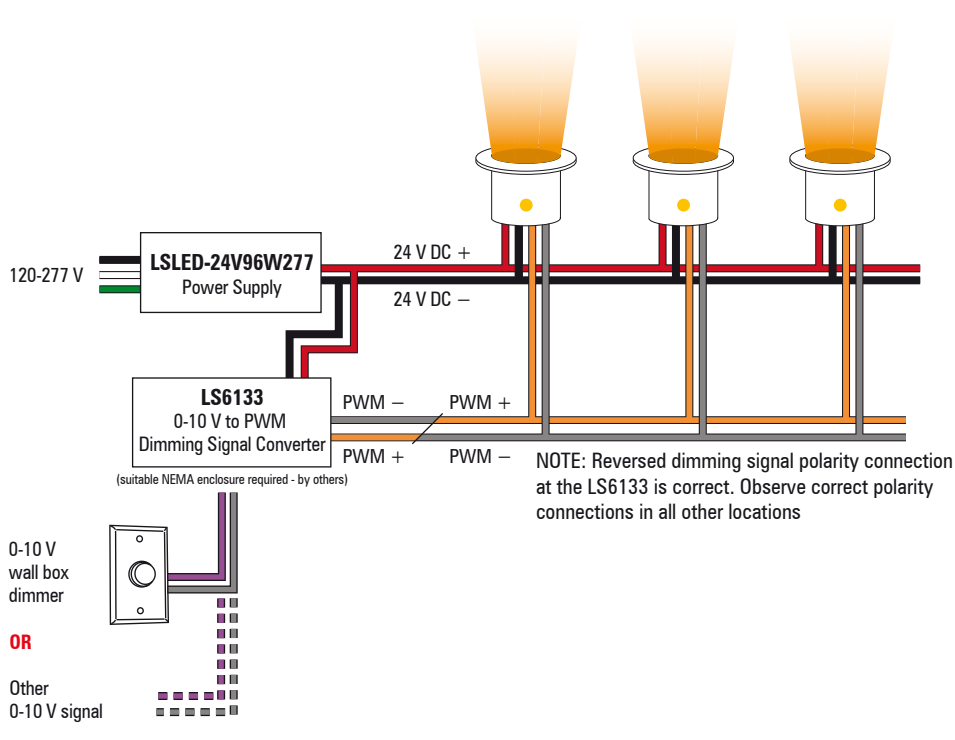


NOTE: The above diagrams are intended to show electrical pathways between luminaires and ancillary devices. These diagrams are not intended to show type or color of cord/wire, wire gauge or approved use of the cord/wire supplied with luminaires.

Consult the luminaire-specific cutsheet or the factory for detailed specifications.



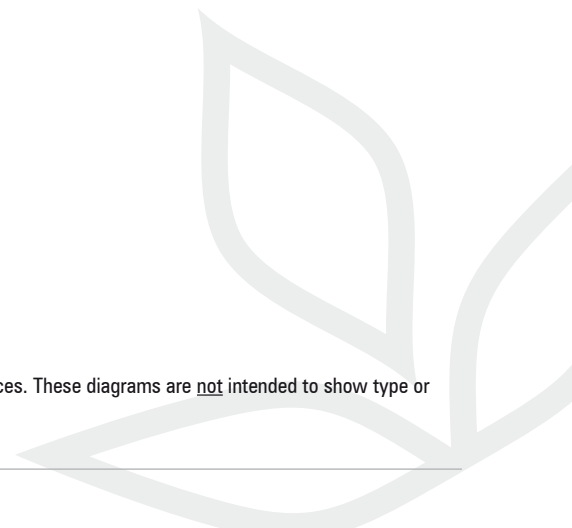
Diagram 4 - 0-10 V Dimming - Low Voltage LED Luminaire with d5 Driver on 24 V DC Circuit



Use compatibility table to determine maximum number of luminaires the power supply can support.

NOTE: The above diagrams are intended to show electrical pathways between luminaires and ancillary devices. These diagrams are not intended to show type or color of cord/wire, wire gauge or approved use of the cord/wire supplied with luminaires.

**Consult the luminaire-specific cutsheet or the factory for detailed specifications.**



## Transformers and Power Supplies for Low Voltage LED Luminaires

The following list of transformers and power supplies are for use with luminaires specifically described as being compatible with either 12 V AC (wirewound only) transformers or with 12-24 V DC power supplies. Compatibility will be noted in the ordering code of the luminaire concerned, and will typically be referenced by Voltage Code '13' or '13-DIM'. In the case of '13-DIM' additional components may be required. Refer to the applicable wiring diagram/s.

Compatibility with each transformer or power supply is indicated by the value mentioned, representing the maximum number of luminaires that may be powered from each transformer or power supply. Please note, this does not take into consideration voltage drop or ampacity limits of the branch circuit. For assistance, please contact factory.

	Wall Mounted Landscape Lighting Transformers			Wall Mounted Transformers				Class 2 Power Supply	Direct Burial Transformer
	LS-TWM-1-300	LS-TWM-2-600	LS-TWM-3-900	LS-TWM-50	LS-TWM-100	LS-TWM-150	LS-TWM-250	LSLED-24V96W277	LS-TDB1-300
<b>Input Voltage</b>	120 V, 60 Hz	120 V, 60 Hz	120 V, 60 Hz	120 V, 60 Hz	120 V, 60 Hz	120 V, 60 Hz	120 V, 60 Hz	120-277 V, 50/60 Hz	120 V, 60 Hz
<b>Output Voltage</b>	12/13/14/15 V 60 Hz	12/13/14/15 V 60 Hz	12/13/14/15 V 60 Hz	12 V, 60 Hz	12 V, 60 Hz	12 V, 60 Hz	12 V, 60 Hz	24 V DC	12.5 V, 60 Hz
<b>Wattage</b>	1 x 300 W circuit	2 x 300 W circuits	3 x 300 W circuits	50 W	100 W	150 W	250 W	96 W	300 W
<b>LS321-2LED</b>	11	23	34	2	4	6	10	4	11

## Transformers for Landscape Lighting Applications

### LS-TWM-1-300

Magnetic transformer - wall mounted

<b>Input</b>	120 V
<b>Rating</b>	300 W
<b>Output</b>	12/13/14/15 V
<b>Output Circuits</b>	1
<b>Protection</b>	Electrostatic shield, magnetic breaker
<b>Approvals</b>	UL, CUL
<b>NEMA Rating</b>	3R
<b>Construction</b>	Stainless steel
<b>Dimensions</b>	H 17.6" (447 mm) W 6.8" (173 mm) D 6.19" (157 mm)
<b>Weight</b>	27 lb (12.3 kg)

### LS-TWM-3-900

Magnetic transformer - wall mounted

<b>Input</b>	120 V
<b>Rating</b>	900 W
<b>Output</b>	12/13/14/15 V
<b>Output Circuits</b>	3
<b>Protection</b>	Electrostatic shield, magnetic breaker
<b>Approvals</b>	UL, CUL
<b>NEMA Rating</b>	3R
<b>Construction</b>	Stainless steel
<b>Dimensions</b>	H 18.6" (472 mm) W 7.8" (198 mm) D 6.19" (157 mm)
<b>Weight</b>	34 lb (15.5 kg)

### LS-TWM-2-600

Magnetic transformer - wall mounted

<b>Input</b>	120 V
<b>Rating</b>	600 W
<b>Output</b>	12/13/14/15 V
<b>Output Circuits</b>	2
<b>Protection</b>	Electrostatic shield, magnetic breaker
<b>Approvals</b>	UL, CUL
<b>NEMA Rating</b>	3R
<b>Construction</b>	Stainless steel
<b>Dimensions</b>	H 17.6" (447 mm) W 6.8" (173 mm) D 6.19" (157 mm)
<b>Weight</b>	29 lb (13.2 kg)

### LS-TDB1-300

Magnetic transformer - direct burial

<b>Input</b>	120 V
<b>Rating</b>	300 W
<b>Output</b>	12.5 V
<b>Output Circuits</b>	1
<b>Protection</b>	Circuit breaker
<b>Approvals</b>	ETL (US and Canada)
<b>NEMA Rating</b>	12
<b>Construction</b>	Reinforced composite
<b>Dimensions</b>	H 9" (229 mm) W 9" (229 mm) D 7" (178 mm)
<b>Weight</b>	8 lb (3.6 kg)

## Class 2 LED Power Supplies

### LSLED-24V96W277

Electronic DC power supply - wall mounted

<b>Input</b>	120-277 V, 50/60 Hz
<b>Rating</b>	96 W / 4 A
<b>Output</b>	24 V DC
<b>Output Circuits</b>	1
<b>Approvals</b>	CSA, CSA-US
<b>Location</b>	Wet location
<b>Dimensions</b>	H 12.32" (313 mm) W 2.54" (65 mm) D 1.67" (42 mm)
<b>Weight</b>	2 lb (0.9 kg)

### LSLED-24V12W277

Electronic DC power supply - NEMA enclosure required (by others)

<b>Input</b>	120-277 V, 50/60 Hz
<b>Rating</b>	12 W / 0.5 A
<b>Output</b>	24 V DC
<b>Output Circuits</b>	1
<b>Approvals</b>	UL, CUL Recognized, Class 2
<b>IP rating</b>	IP66
<b>Location</b>	Wet location
<b>Dimensions</b>	H 3.35" (85 mm) W 1.42" (36 mm) D 0.91" (23 mm)
<b>Weight</b>	0.282 lb (0.1 kg)

## Control Related Equipment

### LS6133

0-10 V to PWM translator - NEMA enclosure required (by others)

<b>Input</b>	24 V DC
<b>Rating</b>	96 W max
<b>Output</b>	4 A max
<b>Output Circuits</b>	1
<b>Approvals</b>	UL, CUL Recognized, Class 2
<b>IP Rating</b>	IP66
<b>Dimensions</b>	H 5.2" (132 mm) W 1.3" (33 mm) D 1" (25 mm)
<b>Weight</b>	0.2 lb (0.1 kg)

### LS67100

DMX to PWM translator - dry location only

<b>Input</b>	24 V DC
<b>Rating</b>	4 x 60 W max
<b>Output</b>	4 x 2.5 A max
<b>Output Circuits</b>	4
<b>Approvals</b>	UL, CUL
<b>IP Rating</b>	N/A
<b>Dimensions</b>	H 11.25" (286 mm) W 4.6" (117 mm) D 3.2" (82 mm)
<b>Weight</b>	0.5 lb (0.2 kg)