

## LS751LED Villa LS751-2LED Double Villa

Wallmount



The LS751LED is a compact, adjustable, direct or indirect accent used for grazing walls or other accent illumination tasks. The luminaire is constructed from 316 marine grade stainless steel with Lumascape's proprietary **ElectroPolishPlus™** surface treatment, to provide a long life even in coastal environments. This luminaire is ideal for use in modern architectural designs, and now features new Lumascape d5 driver technology for advanced dimming and control options.

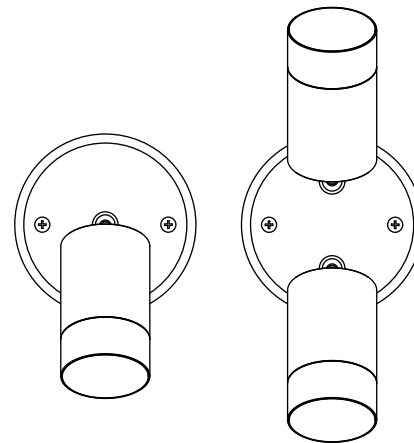
### Specifications

<b>Lamp Source</b>	3 W or 2 x 3 W LED <input type="checkbox"/> White (4 300 K typical) <input type="checkbox"/> Warm white (3 000 K typical) <input type="checkbox"/> Blue (470 nm) <i>Other colors by request</i>
<b>Approved Use</b>	Suitable for wet locations
<b>Control Options</b>	0-10 V On-site or factory-programmable brightness
<b>IP Rating</b>	IP65
<b>Construction</b>	316 marine grade stainless steel
<b>Remote Transformers / Power Supplies</b>	<b>LSLED-15V20W277</b> J-box power supply for non-dimming applications <i>Order separately</i>
<b>Ambient Operating Temperature</b>	-40 °F to 122 °F (-40 °C to +50 °C)
<b>Photometrics</b>	Refer to <a href="http://www.lumascap.com">www.lumascap.com</a>

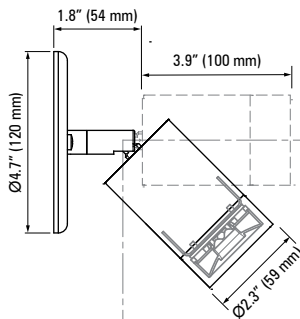
*Any luminaire can become hot - take care with appropriate use and placement*



LS751LED Villa



LS751-2LED Double Villa



LAMP		OPTICAL SYSTEM			INPUT VOLTAGE			
Code	Description	Wattage	Color	Code	Beam	Code	Description	Code
LS751LED	LED	3 W	White (4 300 K typ.)	3W4	Narrow	14°	12-15 V, 60 Hz or 12-24 V DC	13 <sup>(1)</sup>
			Warm white (3 000 K typ.)	3H6	Narrow Medium	25°		
			Blue (470 nm)	3B4	Medium	30°		
LS751-2LED	LED	6 W	White (4 300 K typ.)	6W4	Wide	40°	PWM Dimmable Driver, 12-15 V, 60 Hz or 12-24 V DC	23 <sup>(1)</sup>
			Warm white (3 000 K typ.)	6H6				
			Blue (470 nm)	6B4				

<sup>(1)</sup> For appropriate transformer.

### Wiring Diagram Reference

Input Voltage	LED Color	Control Type	Wiring Diagram
13	Single Color	Non Dim	2
23	Single Color	0-10 V	3,4

## Photometrics

Photometric data is based on test results from a NIST traceable testing lab. IES data is available at [www.lumescape.com](http://www.lumescape.com).  
 Note: No depreciation factor is applied to the data shown.

**LS751LED**  
4 300 K<sup>(1)</sup>  
25° Beam Angle

Power Input	3.5
Lumens	223
Efficacy	64 Lm/W

<sup>(1)</sup> To approximate warm white data, multiply by 0.84. Refer web site for IES files for all color temperatures.

**Polar Candela Distribution**

	C 0°	C 15°	C 30°	C 45°	C 60°	C 75°	C 90°
0°	1238	1238	1238	1238	1238	1238	1238
10°	616	647	683	704	731	757	817
20°	53	54	49	63	69	80	92
30°	13	13	13	15	16	16	18
40°	3	6	7	6	5	6	8
50°	0	0	0	0	0	0	0
60°	0	0	0	0	0	0	0
70°	0	0	0	0	0	0	0
80°	0	0	0	0	0	0	0
90°	0	0	0	0	0	0	0

**Illuminance at a Distance**

ft	Center Beam fc	Beam Ø
5	49.5	2 ft
10	12.4	4 ft
15	5.5	7 ft
25	2	11 ft
30	1.4	13 ft
40	0.8	18 ft
50	0.5	22 ft

**LS751LED**  
4 300 K<sup>(1)</sup>  
30° Beam Angle

Power Input	3.5
Lumens	201
Efficacy	57 Lm/W

<sup>(1)</sup> To approximate warm white data, multiply by 0.84. Refer web site for IES files for all color temperatures.

**Polar Candela Distribution**

	C 0°	C 15°	C 30°	C 45°	C 60°	C 75°	C 90°
0°	670	670	670	670	670	670	670
10°	447	448	469	457	465	472	480
20°	154	156	162	171	180	186	195
30°	33	34	38	44	49	47	55
40°	5	6	8	9	10	8	7
50°	0	0	0	0	0	0	0
60°	0	0	0	0	0	0	0
70°	0	0	0	0	0	0	0
80°	0	0	0	0	0	0	0
90°	0	0	0	0	0	0	0

**Illuminance at a Distance**

ft	Center Beam fc	Beam Ø
5	26.8	3 ft
10	6.7	5 ft
15	3	8 ft
25	1.1	13 ft
30	0.7	16 ft
40	0.4	21 ft
50	0.3	27 ft

**LS751LED**  
4 300 K<sup>(1)</sup>  
40° Beam Angle

Power Input	3.5
Lumens	199
Efficacy	57 Lm/W

<sup>(1)</sup> To approximate warm white data, multiply by 0.84. Refer web site for IES files for all color temperatures.

**Polar Candela Distribution**

	C 0°	C 15°	C 30°	C 45°	C 60°	C 75°	C 90°
0°	341	341	341	341	341	341	341
10°	283	279	278	277	278	281	286
20°	154	150	147	146	146	150	158
30°	60	58	62	60	57	58	63
40°	19	19	22	20	18	18	21
50°	4	4	5	4	4	4	4
60°	0	0	0	0	0	0	0
70°	0	0	0	0	0	0	0
80°	0	0	0	0	0	0	0
90°	0	0	0	0	0	0	0

**Illuminance at a Distance**

ft	Center Beam fc	Beam Ø
5	13.6	4 ft
10	3.4	7 ft
15	1.5	11 ft
25	0.5	18 ft
30	0.4	22 ft
40	0.2	29 ft
50	0.1	36 ft

Diagram 2 - Non Dimming - Low Voltage LED Luminaire on a Low Voltage Circuit

Please note: for submersible lighting applications, the use of a GFCI may be required. Consult local wiring rules.

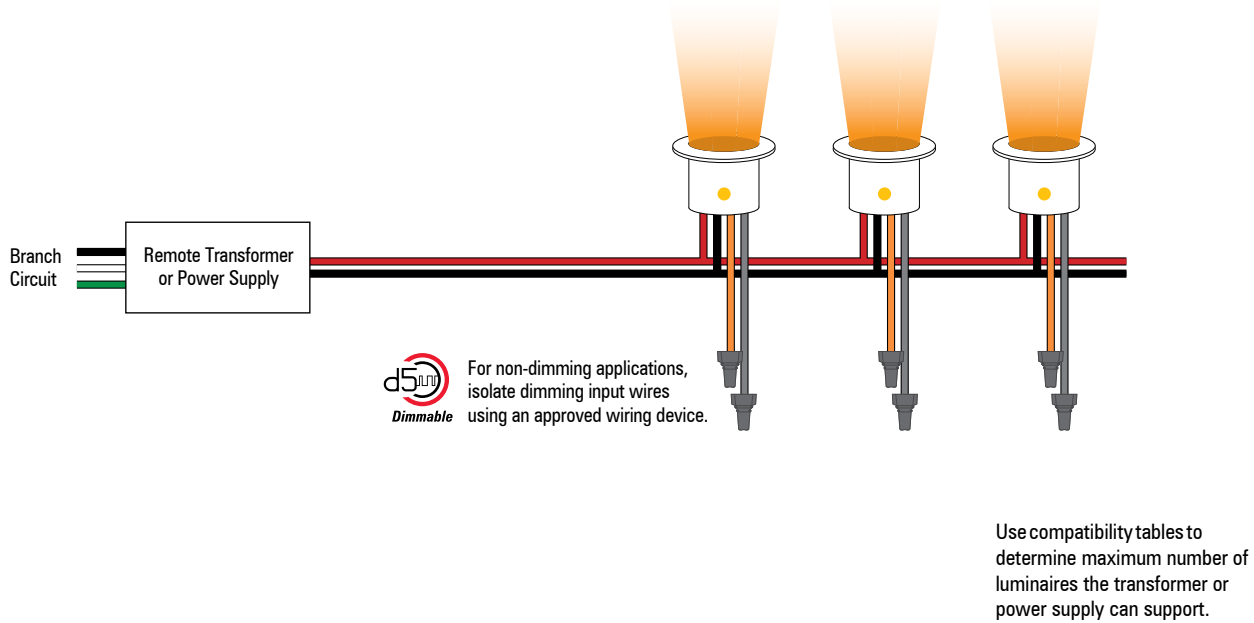
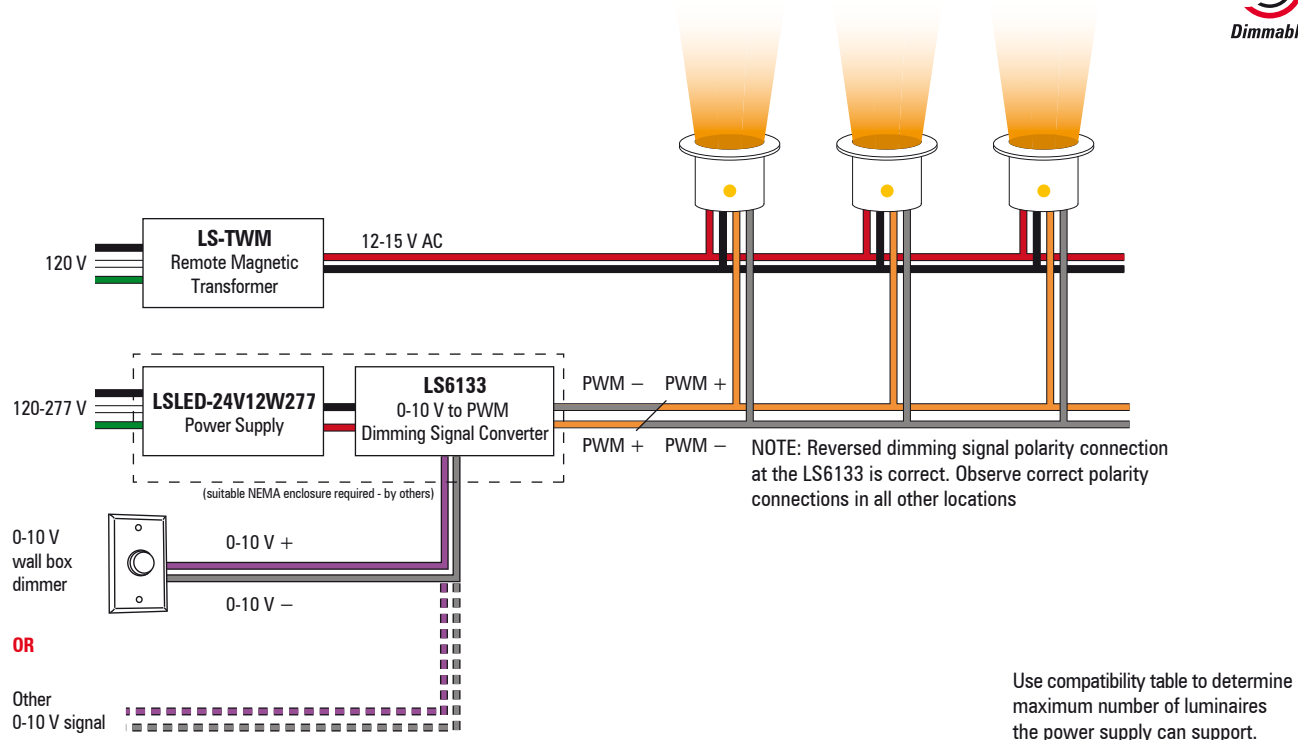


Diagram 3 - 0-10 V Dimming - Low Voltage LED Luminaire with d5 Driver on 12-15 V AC Circuit

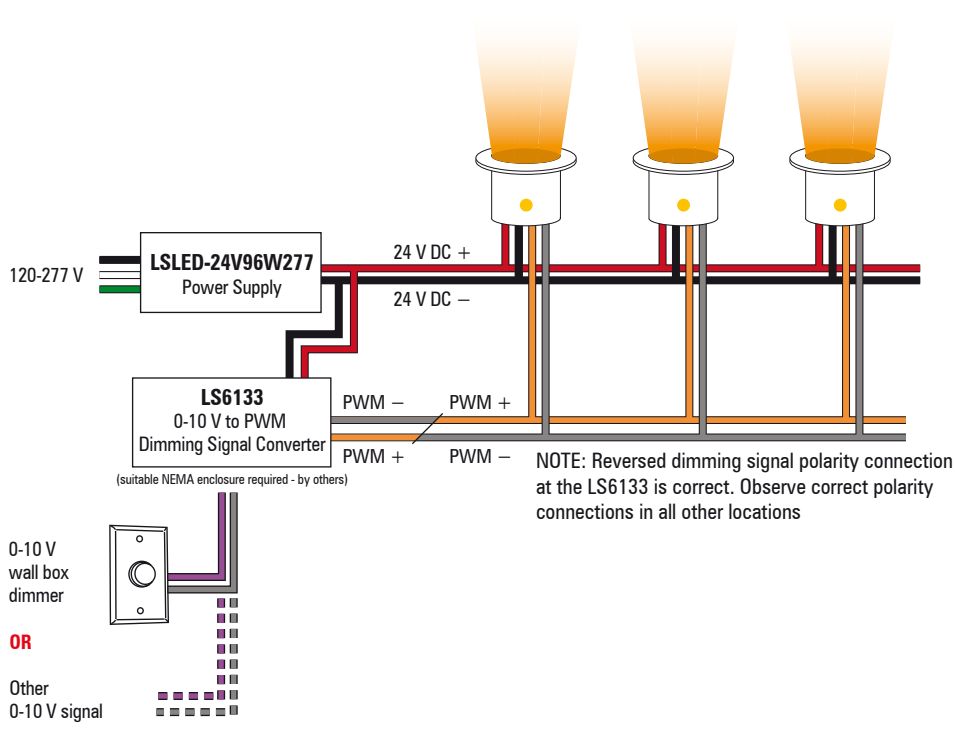


NOTE: The above diagrams are intended to show electrical pathways between luminaires and ancillary devices. These diagrams are not intended to show type or color of cord/wire, wire gauge or approved use of the cord/wire supplied with luminaires.

**Consult the luminaire-specific cutsheet or the factory for detailed specifications.**



Diagram 4 - 0-10 V Dimming - Low Voltage LED Luminaire with d5 Driver on 24 V DC Circuit



Use compatibility table to determine maximum number of luminaires the power supply can support.

NOTE: The above diagrams are intended to show electrical pathways between luminaires and ancillary devices. These diagrams are not intended to show type or color of cord/wire, wire gauge or approved use of the cord/wire supplied with luminaires.

**Consult the luminaire-specific cutsheet or the factory for detailed specifications.**

## Transformers and Power Supplies for Low Voltage LED Luminaires

The following list of transformers and power supplies are for use with luminaires specifically described as being compatible with either 12 V AC (wirewound only) transformers or with 12-24 V DC power supplies. Compatibility will be noted in the ordering code of the luminaire concerned, and will typically be referenced by Voltage Code '13' or '13-DIM'. In the case of '13-DIM' additional components may be required. Refer to the applicable wiring diagram/s.

Compatibility with each transformer or power supply is indicated by the value mentioned, representing the maximum number of luminaires that may be powered from each transformer or power supply. Please note, this does not take into consideration voltage drop or ampacity limits of the branch circuit. For assistance, please contact factory.

	Wall Mounted Landscape Lighting Transformers			Wall Mounted Transformers				Class 2 Power Supply	Direct Burial Transformer
	LS-TWM-1-300	LS-TWM-2-600	LS-TWM-3-900	LS-TWM-50	LS-TWM-100	LS-TWM-150	LS-TWM-250	LSLED-24V96W277	LS-TDB1-300
<b>Input Voltage</b>	120 V, 60 Hz	120 V, 60 Hz	120 V, 60 Hz	120 V, 60 Hz	120 V, 60 Hz	120 V, 60 Hz	120 V, 60 Hz	120-277 V, 50/60 Hz	120 V, 60 Hz
<b>Output Voltage</b>	12/13/14/15 V 60 Hz	12/13/14/15 V 60 Hz	12/13/14/15 V 60 Hz	12 V, 60 Hz	12 V, 60 Hz	12 V, 60 Hz	12 V, 60 Hz	24 V DC	12.5 V, 60 Hz
<b>Wattage</b>	1 x 300 W circuit	2 x 300 W circuits	3 x 300 W circuits	50 W	100 W	150 W	250 W	96 W	300 W
<b>LS751LED</b>	42	84	126	7	14	21	35	17	42
<b>LS751-2LED</b>	23	46	69	3	7	11	19	9	23

## Transformers for Landscape Lighting Applications

**LS-TWM-1-300**

Magnetic transformer - wall mounted

<b>Input</b>	120 V
<b>Rating</b>	300 W
<b>Output</b>	12/13/14/15 V
<b>Output Circuits</b>	1
<b>Protection</b>	Electrostatic shield, magnetic breaker
<b>Approvals</b>	UL, CUL
<b>NEMA Rating</b>	3R
<b>Construction</b>	Stainless steel
<b>Dimensions</b>	H 17.6" (447 mm) W 6.8" (173 mm) D 6.19" (157 mm)
<b>Weight</b>	27 lb (12.3 kg)

**LS-TWM-3-900**

Magnetic transformer - wall mounted

<b>Input</b>	120 V
<b>Rating</b>	900 W
<b>Output</b>	12/13/14/15 V
<b>Output Circuits</b>	3
<b>Protection</b>	Electrostatic shield, magnetic breaker
<b>Approvals</b>	UL, CUL
<b>NEMA Rating</b>	3R
<b>Construction</b>	Stainless steel
<b>Dimensions</b>	H 18.6" (472 mm) W 7.8" (198 mm) D 6.19" (157 mm)
<b>Weight</b>	34 lb (15.5 kg)

**LS-TWM-2-600**

Magnetic transformer - wall mounted

<b>Input</b>	120 V
<b>Rating</b>	600 W
<b>Output</b>	12/13/14/15 V
<b>Output Circuits</b>	2
<b>Protection</b>	Electrostatic shield, magnetic breaker
<b>Approvals</b>	UL, CUL
<b>NEMA Rating</b>	3R
<b>Construction</b>	Stainless steel
<b>Dimensions</b>	H 17.6" (447 mm) W 6.8" (173 mm) D 6.19" (157 mm)
<b>Weight</b>	29 lb (13.2 kg)

**LS-TDB1-300**

Magnetic transformer - direct burial

<b>Input</b>	120 V
<b>Rating</b>	300 W
<b>Output</b>	12.5 V
<b>Output Circuits</b>	1
<b>Protection</b>	Circuit breaker
<b>Approvals</b>	ETL (US and Canada)
<b>NEMA Rating</b>	12
<b>Construction</b>	Reinforced composite
<b>Dimensions</b>	H 9" (229 mm) W 9" (229 mm) D 7" (178 mm)
<b>Weight</b>	8 lb (3.6 kg)

## Wall Mounted Transformers

**LS-TWM-50**

Magnetic transformer - wall mounted

<b>Input</b>	120 V or 240 V
<b>Rating</b>	50 W
<b>Output</b>	12 V or 24 V
<b>Output Circuits</b>	1
<b>Protection</b>	Isolation type transformer
<b>Approvals</b>	UL, CUL
<b>NEMA Rating</b>	3R
<b>Construction</b>	Powder coated steel
<b>Dimensions</b>	H 8.03" (204 mm) W 3.31" (84 mm) D 3.08" (78 mm)
<b>Weight</b>	4.4 lb (2 kg)

**LS-TWM-150**

Magnetic transformer - wall mounted

<b>Input</b>	120 V or 240 V
<b>Rating</b>	150 W
<b>Output</b>	12 V or 24 V
<b>Output Circuits</b>	1
<b>Protection</b>	Isolation type transformer
<b>Approvals</b>	UL, CUL
<b>NEMA Rating</b>	3R
<b>Construction</b>	Powder coated steel
<b>Dimensions</b>	H 8.03" (204 mm) W 3.31" (84 mm) D 3.08" (78 mm)
<b>Weight</b>	5.6 lb (2.5 kg)

**LS-TWM-100**

Magnetic transformer - wall mounted

<b>Input</b>	120 V or 240 V
<b>Rating</b>	100 W
<b>Output</b>	12 V or 24 V
<b>Output Circuits</b>	1
<b>Protection</b>	Isolation type transformer
<b>Approvals</b>	UL, CUL
<b>NEMA Rating</b>	3R
<b>Construction</b>	Powder coated steel
<b>Dimensions</b>	H 8.03" (204 mm) W 3.31" (84 mm) D 3.08" (78 mm)
<b>Weight</b>	4.8 lb (2.2 kg)

**LS-TWM-250**

Magnetic transformer - wall mounted

<b>Input</b>	120 V or 240 V
<b>Rating</b>	250 W
<b>Output</b>	12 V or 24 V
<b>Output Circuits</b>	1
<b>Protection</b>	Isolation type transformer
<b>Approvals</b>	UL, CUL
<b>NEMA Rating</b>	3R
<b>Construction</b>	Powder coated steel
<b>Dimensions</b>	H 8.03" (204 mm) W 3.31" (84 mm) D 3.08" (78 mm)
<b>Weight</b>	6.7 lb (3 kg)

## Class 2 LED Power Supplies

**LSLED-24V96W277**

Electronic DC power supply - wall mounted

<b>Input</b>	120-277 V, 50/60 Hz		
<b>Rating</b>	96 W / 4 A		
<b>Output</b>	24 V DC		
<b>Output Circuits</b>	1		
<b>Approvals</b>	CSA, CSA-US		
<b>Location</b>	Wet location		
<b>Dimensions</b>	<b>H</b> 12.32" (313 mm)	<b>W</b> 2.54" (65 mm)	<b>D</b> 1.67" (42 mm)
<b>Weight</b>	2 lb (0.9 kg)		

**LSLED-24V12W277**

Electronic DC power supply - NEMA enclosure required (by others)

<b>Input</b>	120-277 V, 50/60 Hz		
<b>Rating</b>	12 W / 0.5 A		
<b>Output</b>	24 V DC		
<b>Output Circuits</b>	1		
<b>Approvals</b>	UL, CUL Recognized, Class 2		
<b>IP rating</b>	IP66		
<b>Location</b>	Wet location		
<b>Dimensions</b>	<b>H</b> 3.35" (85 mm)	<b>W</b> 1.42" (36 mm)	<b>D</b> 0.91" (23 mm)
<b>Weight</b>	0.282 lb (0.1 kg)		

Control Related Equipment

**LS6133**

0-10 V to PWM translator - NEMA enclosure required (by others)

<b>Input</b>	24 V DC		
<b>Rating</b>	96 W max		
<b>Output</b>	4 A max		
<b>Output Circuits</b>	1		
<b>Approvals</b>	UL, CUL Recognized, Class 2		
<b>IP Rating</b>	IP66		
<b>Dimensions</b>	<b>H</b> 5.2" (132 mm)	<b>W</b> 1.3" (33 mm)	<b>D</b> 1" (25 mm)
<b>Weight</b>	0.2 lb (0.1 kg)		

**LS67100**

DMX to PWM translator - dry location only

<b>Input</b>	24 V DC		
<b>Rating</b>	4 x 60 W max		
<b>Output</b>	4 x 2.5 A max		
<b>Output Circuits</b>	4		
<b>Approvals</b>	UL, CUL		
<b>IP Rating</b>	N/A		
<b>Dimensions</b>	<b>H</b> 11.25" (286 mm)	<b>W</b> 4.6" (117 mm)	<b>D</b> 3.2" (82 mm)
<b>Weight</b>	0.5 lb (0.2 kg)		

