

## LS782LED Astelia

At Grade



The Astelia is an excellent option for LED landscape lighting, featuring aim and tilt adjustability, a choice of finishes and long service life. The Astelia features new Lumascape d5 driver technology as a standard inclusion, providing a high level of control: When high output is required, it can be deployed in its full output, 6 W configuration; If a lower level of light is required, it can be set as low as 0.6 W, (either by the factory or in the field).

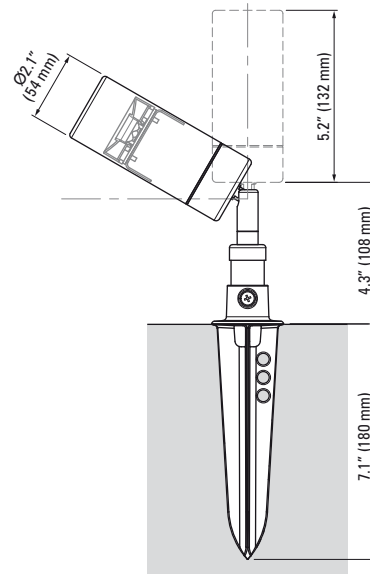
### Specifications

<b>Lamp Source</b>	6 W LED <input type="checkbox"/> White (4 300 K typical) <input type="checkbox"/> Warm white (3 000 K typical) <input type="checkbox"/> Blue (470 nm)
<b>Approved Use</b>	Suitable for wet locations
<b>Control Options</b>	0-10 V (current sourcing) PWM On-site or factory-programmable brightness
<b>IP Rating</b>	IP65
<b>Construction</b>	Powder coated aluminum <input type="checkbox"/> Black <input type="checkbox"/> Silver Polished copper
<b>Installation Type</b>	Spike mount
<b>Remote Transformers / Power Supplies</b>	Refer to Technical Data section for application specific options <i>Order separately</i>
<b>Ambient Operating Temperature</b>	-4 °F to 104 °F (-20 °C to 40 °C)
<b>Photometrics</b>	Refer to <a href="http://www.lumascap.com">www.lumascap.com</a>

*Any luminaire can become hot - take care with appropriate use and placement*



LS782LED Astelia



LS782LED → [ ] → [ ] → 13-DIM → [ ]

LAMP				OPTICAL SYSTEM			INPUT VOLTAGE	
Description	Wattage	Color	Code	Beam		Code	Description	Code
LED	6 W	White (4 300 K typical)	<b>6W4</b>	Narrow	14°	<b>NR</b>	0-10 V or PWM Dimmable Driver, 12-15 V, 60 Hz or 12-24 V DC	<b>13-DIM<sup>(1)</sup></b>
		Warm white (3 000 K typical)	<b>6H6</b>	Narrow Medium	25°	<b>NM</b>		
		Blue (470 nm)	<b>6B4</b>	Medium	30°	<b>ME</b>		
				Wide	40°	<b>WD</b>		

<sup>(1)</sup> Requires appropriate transformer.

FINISH		
Description	Material	Code
Black, powder coated	Aluminum	<b>CB</b>
Silver, powder coated	Aluminum	<b>CS</b>
Polished	Copper	<b>CU</b>

**Dimmable Wiring Diagram Reference**

Input Voltage	LED Color	Control Type	Wiring Diagram
13-DIM	Single Color	PWM	2,3,4

## Photometrics

Photometric data is based on test results from a NIST traceable testing lab. IES data is available at [www.lumascpe.com](http://www.lumascpe.com).  
 Note: No depreciation factor is applied to the data shown.

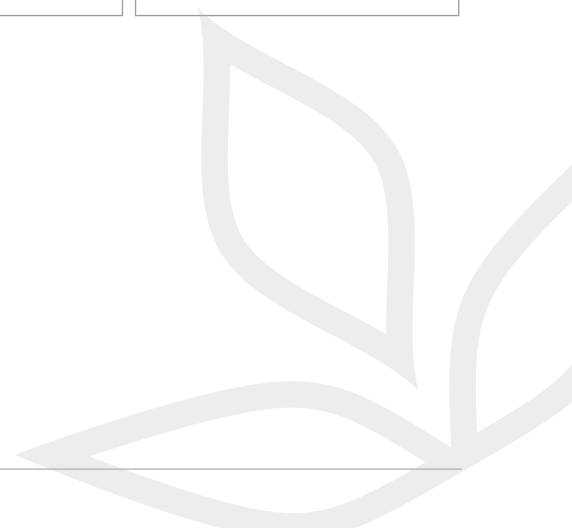
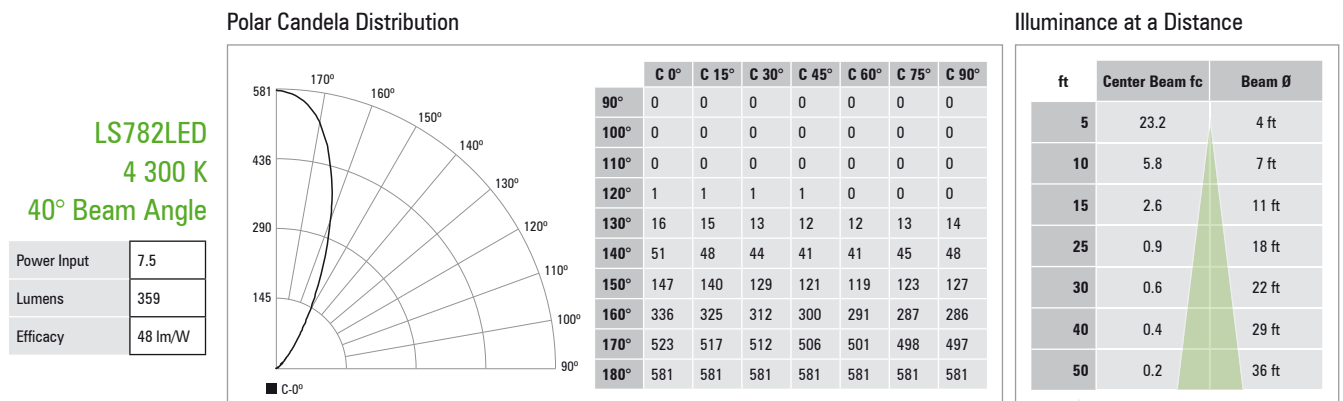
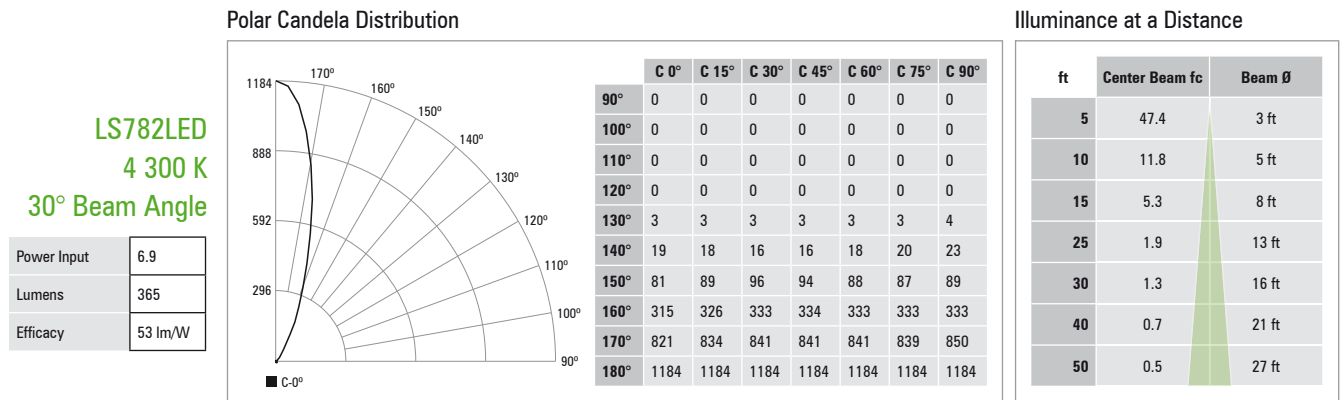
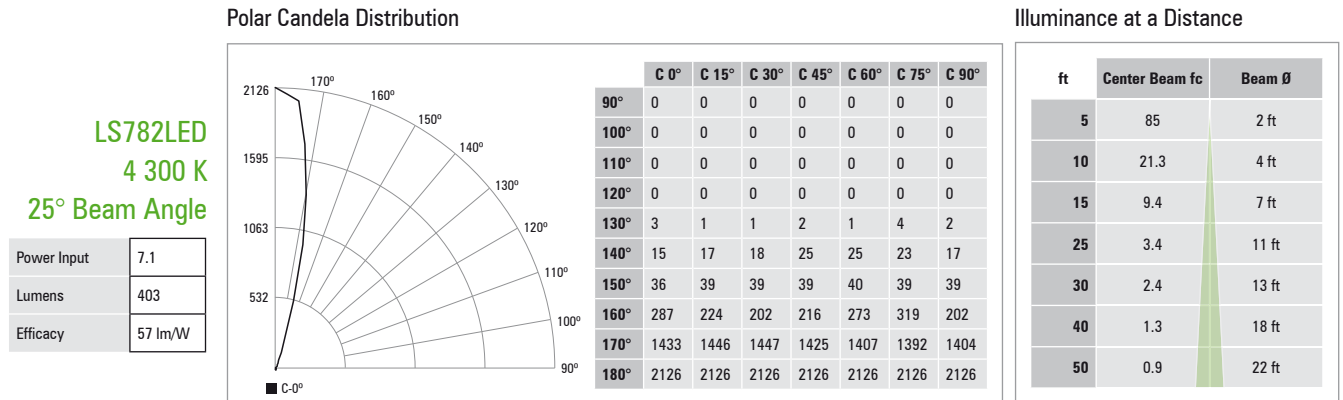


Diagram 2 - 0-10 V Dimming Via Current Sourcing Module, or Pulse Width Modulated Dimming (PWM)  
 - Low Voltage LED Luminaire with d5 Driver on 24 V DC Circuit

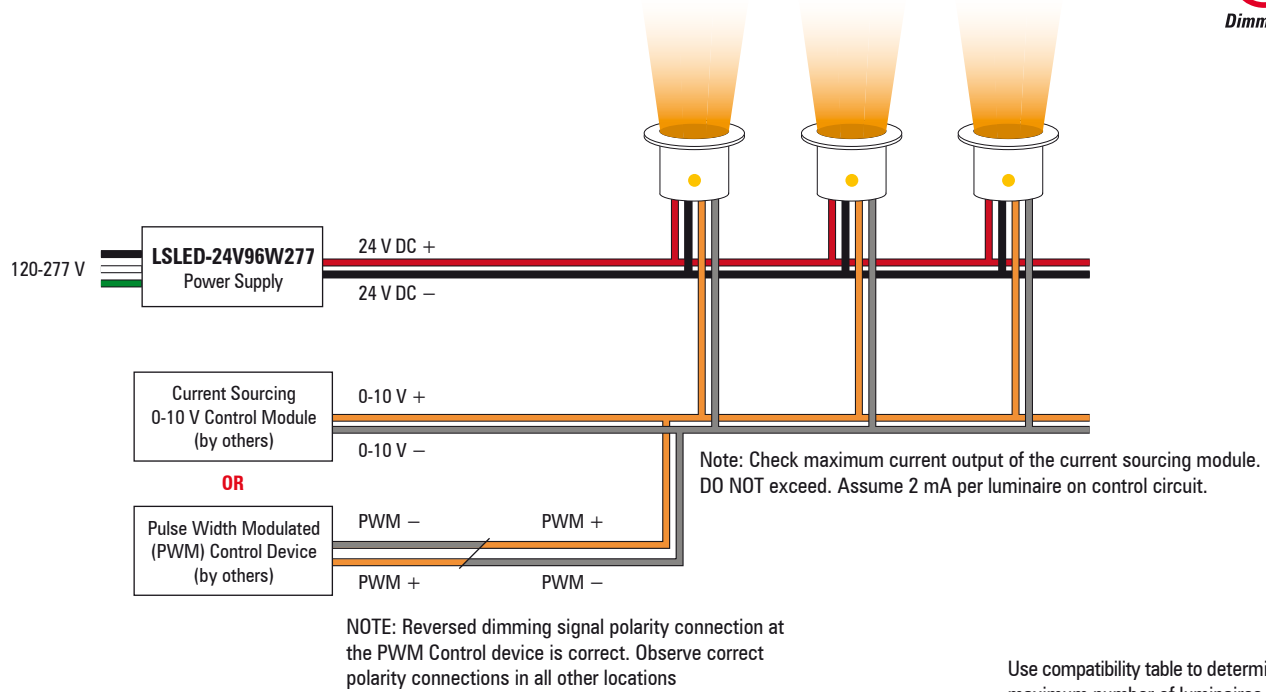
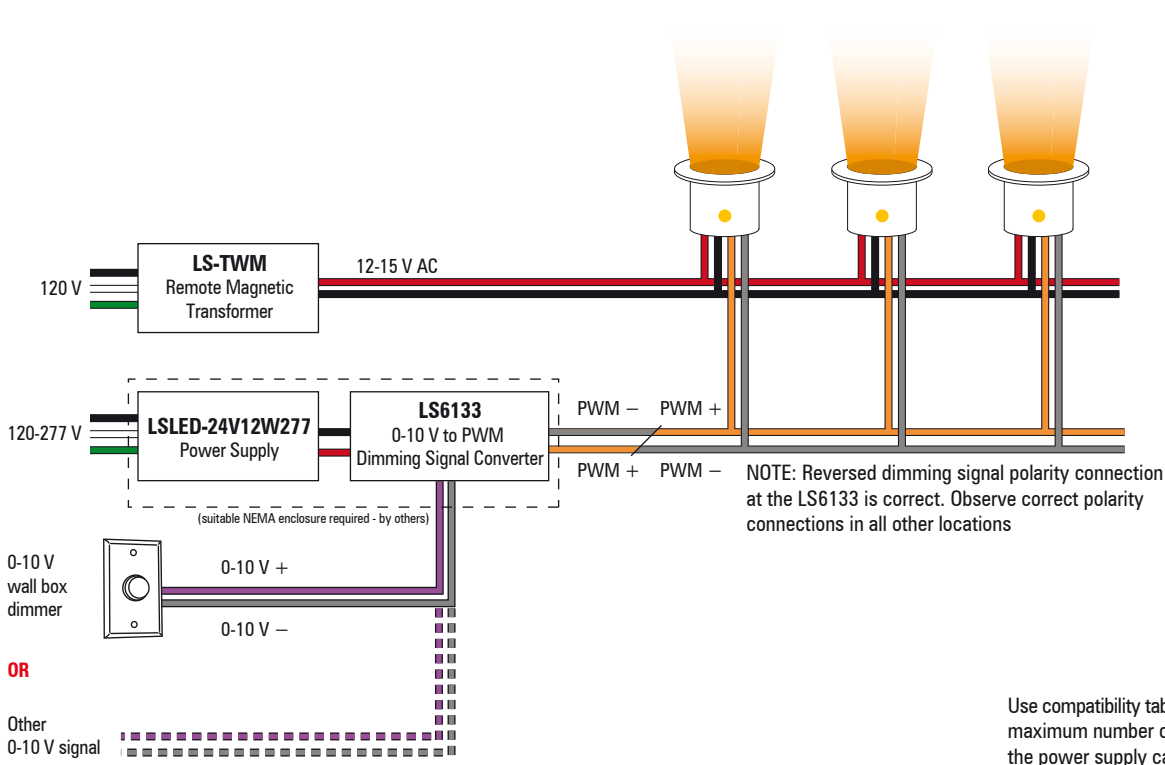


Diagram 3 - 0-10 V Dimming - Low Voltage LED Luminaire with d5 Driver on 12-15 V AC Circuit

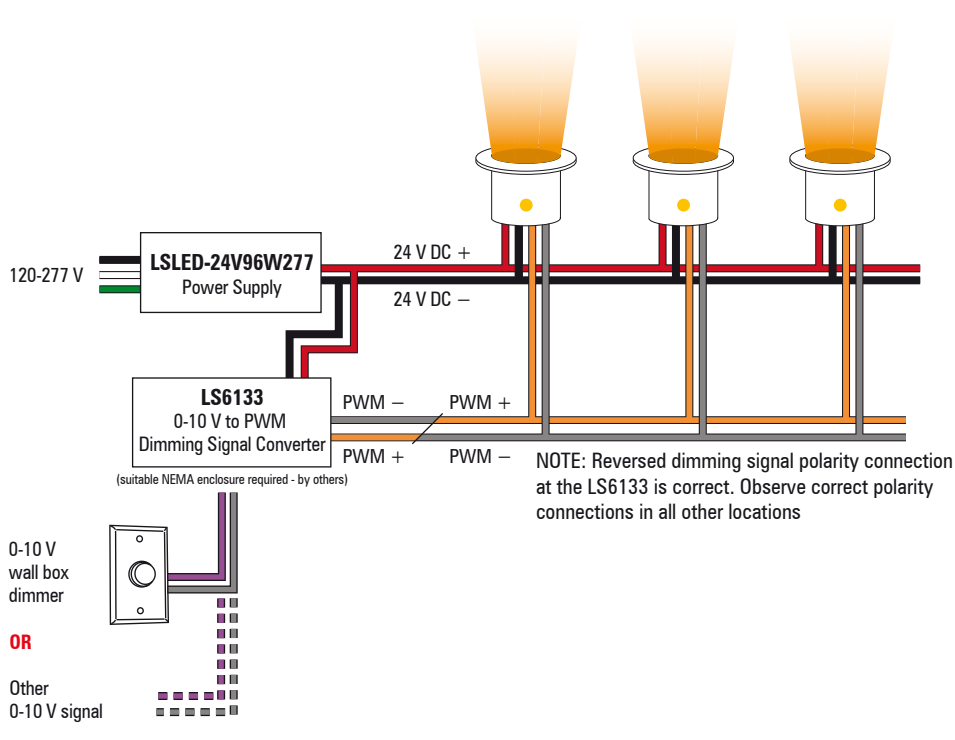


NOTE: The above diagrams are intended to show electrical pathways between luminaires and ancillary devices. These diagrams are not intended to show type or color of cord/wire, wire gauge or approved use of the cord/wire supplied with luminaires.

**Consult the luminaire-specific cutsheet or the factory for detailed specifications.**



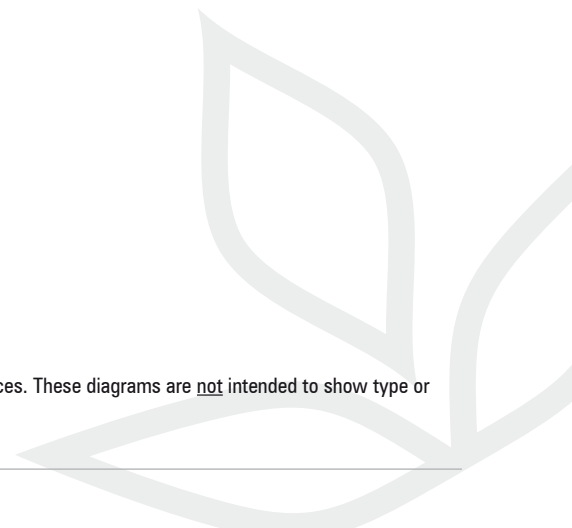
Diagram 4 - 0-10 V Dimming - Low Voltage LED Luminaire with d5 Driver on 24 V DC Circuit



Use compatibility table to determine maximum number of luminaires the power supply can support.

NOTE: The above diagrams are intended to show electrical pathways between luminaires and ancillary devices. These diagrams are not intended to show type or color of cord/wire, wire gauge or approved use of the cord/wire supplied with luminaires.

**Consult the luminaire-specific cutsheet or the factory for detailed specifications.**



## Transformers and Power Supplies for Low Voltage LED Luminaires

The following list of transformers and power supplies are for use with luminaires specifically described as being compatible with either 12 V AC (wirewound only) transformers or with 12-24 V DC power supplies. Compatibility will be noted in the ordering code of the luminaire concerned, and will typically be referenced by Voltage Code '13' or '13-DIM'. In the case of '13-DIM' additional components may be required. Refer to the applicable wiring diagram/s.

Compatibility with each transformer or power supply is indicated by the value mentioned, representing the maximum number of luminaires that may be powered from each transformer or power supply. Please note, this does not take into consideration voltage drop or ampacity limits of the branch circuit. For assistance, please contact factory.

	Wall Mounted Landscape Lighting Transformers			Wall Mounted Transformers				Class 2 Power Supply	Direct Burial Transformer
	LS-TWM-1-300	LS-TWM-2-600	LS-TWM-3-900	LS-TWM-50	LS-TWM-100	LS-TWM-150	LS-TWM-250	LSLED-24V96W277	LS-TDB1-300
<b>Input Voltage</b>	120 V, 60 Hz	120 V, 60 Hz	120 V, 60 Hz	120 V, 60 Hz	120 V, 60 Hz	120 V, 60 Hz	120 V, 60 Hz	120-277 V, 50/60 Hz	120 V, 60 Hz
<b>Output Voltage</b>	12/13/14/15 V 60 Hz	12/13/14/15 V 60 Hz	12/13/14/15 V 60 Hz	12 V, 60 Hz	12 V, 60 Hz	12 V, 60 Hz	12 V, 60 Hz	24 V DC	12.5 V, 60 Hz
<b>Wattage</b>	1 x 300 W circuit	2 x 300 W circuits	3 x 300 W circuits	50 W	100 W	150 W	250 W	96 W	300 W
<b>LS782LED</b>	23	46	69						23

## Transformers for Landscape Lighting Applications

**LS-TWM-1-300**

Magnetic transformer - wall mounted

<b>Input</b>	120 V
<b>Rating</b>	300 W
<b>Output</b>	12/13/14/15 V
<b>Output Circuits</b>	1
<b>Protection</b>	Electrostatic shield, magnetic breaker
<b>Approvals</b>	UL, CUL
<b>NEMA Rating</b>	3R
<b>Construction</b>	Stainless steel
<b>Dimensions</b>	H 17.6" (447 mm) W 6.8" (173 mm) D 6.19" (157 mm)
<b>Weight</b>	27 lb (12.3 kg)

**LS-TWM-3-900**

Magnetic transformer - wall mounted

<b>Input</b>	120 V
<b>Rating</b>	900 W
<b>Output</b>	12/13/14/15 V
<b>Output Circuits</b>	3
<b>Protection</b>	Electrostatic shield, magnetic breaker
<b>Approvals</b>	UL, CUL
<b>NEMA Rating</b>	3R
<b>Construction</b>	Stainless steel
<b>Dimensions</b>	H 18.6" (472 mm) W 7.8" (198 mm) D 6.19" (157 mm)
<b>Weight</b>	34 lb (15.5 kg)

**LS-TWM-2-600**

Magnetic transformer - wall mounted

<b>Input</b>	120 V
<b>Rating</b>	600 W
<b>Output</b>	12/13/14/15 V
<b>Output Circuits</b>	2
<b>Protection</b>	Electrostatic shield, magnetic breaker
<b>Approvals</b>	UL, CUL
<b>NEMA Rating</b>	3R
<b>Construction</b>	Stainless steel
<b>Dimensions</b>	H 17.6" (447 mm) W 6.8" (173 mm) D 6.19" (157 mm)
<b>Weight</b>	29 lb (13.2 kg)

**LS-TDB1-300**

Magnetic transformer - direct burial

<b>Input</b>	120 V
<b>Rating</b>	300 W
<b>Output</b>	12.5 V
<b>Output Circuits</b>	1
<b>Protection</b>	Circuit breaker
<b>Approvals</b>	ETL (US and Canada)
<b>NEMA Rating</b>	12
<b>Construction</b>	Reinforced composite
<b>Dimensions</b>	H 9" (229 mm) W 9" (229 mm) D 7" (178 mm)
<b>Weight</b>	8 lb (3.6 kg)

## Control Related Equipment

**LS6133**

0-10 V to PWM translator - NEMA enclosure required (by others)

<b>Input</b>	24 V DC
<b>Rating</b>	96 W max
<b>Output</b>	4 A max
<b>Output Circuits</b>	1
<b>Approvals</b>	UL, CUL Recognized, Class 2
<b>IP Rating</b>	IP66
<b>Dimensions</b>	H 5.2" (132 mm) W 1.3" (33 mm) D 1" (25 mm)
<b>Weight</b>	0.2 lb (0.1 kg)

**LS67100**

DMX to PWM translator - dry location only

<b>Input</b>	24 V DC
<b>Rating</b>	4 x 60 W max
<b>Output</b>	4 x 2.5 A max
<b>Output Circuits</b>	4
<b>Approvals</b>	UL, CUL
<b>IP Rating</b>	N/A
<b>Dimensions</b>	H 11.25" (286 mm) W 4.6" (117 mm) D 3.2" (82 mm)
<b>Weight</b>	0.5 lb (0.2 kg)

