

LS563LED Vedi

Ingrade



The LS563LED is a marker light featuring a luminous surface with uniform brightness. A 3 W version is also available, suitable for directional applications requiring a beam of light. Constructed from 316 marine grade stainless steel, the luminaire features an **ElectroPolishPlus™** finish for enhanced appearance and corrosion protection.

Specifications

Lamp Source	1 W or 3 W LED <input type="checkbox"/> White (4 300 K typical) <input type="checkbox"/> Warm white (3 000 K typical) <input type="checkbox"/> Blue (470 nm) <i>Other colors by request</i> <input type="checkbox"/> RGB
Approved Use	Suitable for wet locations Suitable for use in poured concrete Inherently protected Type IC
Control Options	0-10 V (current sourcing) PWM On-site or factory-programmable brightness
IP Rating	IP68
Construction	316 marine grade stainless steel
Installation Types	Pre-Installation Blockout Concrete pour, drive-over & general use applications Direct Burial Landscapes, planters & special applications <i>(consult factory)</i>
Drive-over	With OptiClear™ lens and pre-installation blockout
Static Load Rating	2 425 lb (1 100 kg) with OptiClear™ lens and pre-installation blockout
Impact Rating	IK7
Standard Inclusions	MicroAntiLeach™ wire entry
Remote Transformers / Power Supplies	Refer to Technical Data section for application specific options <i>Order separately</i>
Ambient Operating Temperature	-4 °F to 122 °F (-20 °C to +50 °C)
Surface Temperature	≤113 °F (45 °C)
Photometrics	Refer to www.lumascap.com

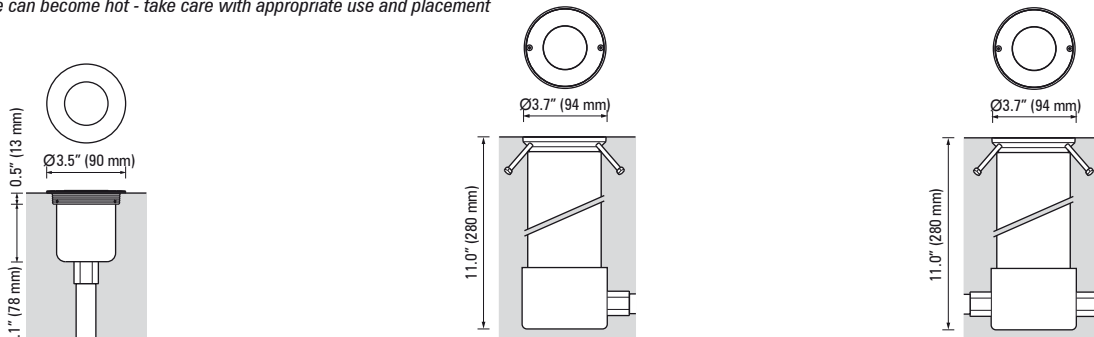
Any luminaire can become hot - take care with appropriate use and placement



LS563LED Vedi
 1 W version with diffused lens



LS563LED Vedi
 3 W version with clear lens



LS563LED-xxx-xx-21-xx

1/2" NPT adapter. Luminaire provided with 6.5' (2.0 m) hook-up wire.

LS563LED-xxx-xx-23-3-xx

Includes pre-installation blockout with a 1/2" NPT adapter. Luminaire provided with 1' (0.3 m) hook-up wire.

LS563LED-xxx-xx-23-4-xx

Includes pre-installation blockout with 2 x 1/2" NPT adapters. Luminaire provided with 1' (0.3 m) hook-up wire.

LS563LED Diffused Lens Version with Pre-Installation Blockout

LS563LED → [] → [] → FL → [] → []

LAMP				FINISH		BEAM		CONDUIT CONNECTION		INPUT VOLTAGE	
Description	Wattage	Color	Code	Description	Code	Description	Code	Description	Code	Description	Code
LED	1 W	White (4 300 K typ.)	1W4	Stainless steel	SS	Marker	FL	½" NPT adapter c/w 1' (0.3 m) hook-up wire	23-3	120-277 V, 50/60 Hz	09 ⁽¹⁾
		Warm white (3000 K typ.)	1H6	Black, powder coated	CB					12-15 V, 60 Hz or 12-24 V DC	13 ⁽¹⁾⁽²⁾
		Blue (470 nm)	1B4	White, powder coated	CW	2 x ½" NPT adapter c/w 1' (0.3 m) hook-up wire	23-4	0-10 V or PWM Dimmable Driver, 12-15 V, 60 Hz or 12-24 V DC	13-DIM ⁽²⁾		
		3 W	RGB	3M4	Silver, powder coated	CS					

⁽¹⁾ Not available for RGB.
⁽²⁾ Requires appropriate transformer.

LS563LED Clear Lens Version with Pre-Installation Blockout

LS563LED → [] → [] → [] → [] → []

LAMP				FINISH		BEAM		CONDUIT CONNECTION		INPUT VOLTAGE	
Description	Wattage	Color	Code	Description	Code	Description	Code	Description	Code	Description	Code
LED	3 W	White (4 300 K typ.)	3W4	Stainless steel	SS	Narrow 14°	NR	½" NPT adapter c/w 1' (0.3 m) hook-up wire	23-3	120-277 V, 50/60 Hz	09
		Warm white (3000 K typ.)	3H6	Black, powder coated	CB	Narrow 25°	NM			12-15 V, 60 Hz or 12-24 V DC	13 ⁽¹⁾
		Blue (470 nm)	3B4	White, powder coated	CW	Medium	ME	2 x ½" NPT adapter c/w 1' (0.3 m) hook-up wire	23-4	0-10 V or PWM Dimmable Driver, 12-15 V, 60 Hz or 12-24 V DC	13-DIM ⁽¹⁾
						Silver, powder coated	CS	Medium 30°	WD		
						Wide 40°					

⁽¹⁾ Requires appropriate transformer.

LS563LED Diffused Lens Version for Direct Burial

LS563LED → [] → [] → FL → [] → 21 → []

LAMP				FINISH		BEAM		CONDUIT CONNECTION		INPUT VOLTAGE	
Description	Wattage	Color	Code	Description	Code	Description	Code	Description	Code	Description	Code
LED	1 W	White (4 300 K typ.)	1W4	Stainless steel	SS	Marker	FL	½" NPT adapter c/w 6.5' (2.0 m) hook-up wire	21	120-277 V, 50/60 Hz	09 ⁽¹⁾
		Warm white (3000 K typ.)	1H6	Black, powder coated	CB					12-15 V, 60 Hz or 12-24 V DC	13 ⁽¹⁾⁽²⁾
		Blue (470 nm)	1B4	White, powder coated	CW			0-10 V or PWM Dimmable Driver, 12-15 V, 60 Hz or 12-24 V DC	13-DIM ⁽²⁾		
		3 W	RGB	3M4	Silver, powder coated	CS					

⁽¹⁾ Not available for RGB.
⁽²⁾ Requires appropriate transformer.

LS563LED Clear Lens Version for Direct Burial

LS563LED → [] → [] → [] → [] → 21 → []

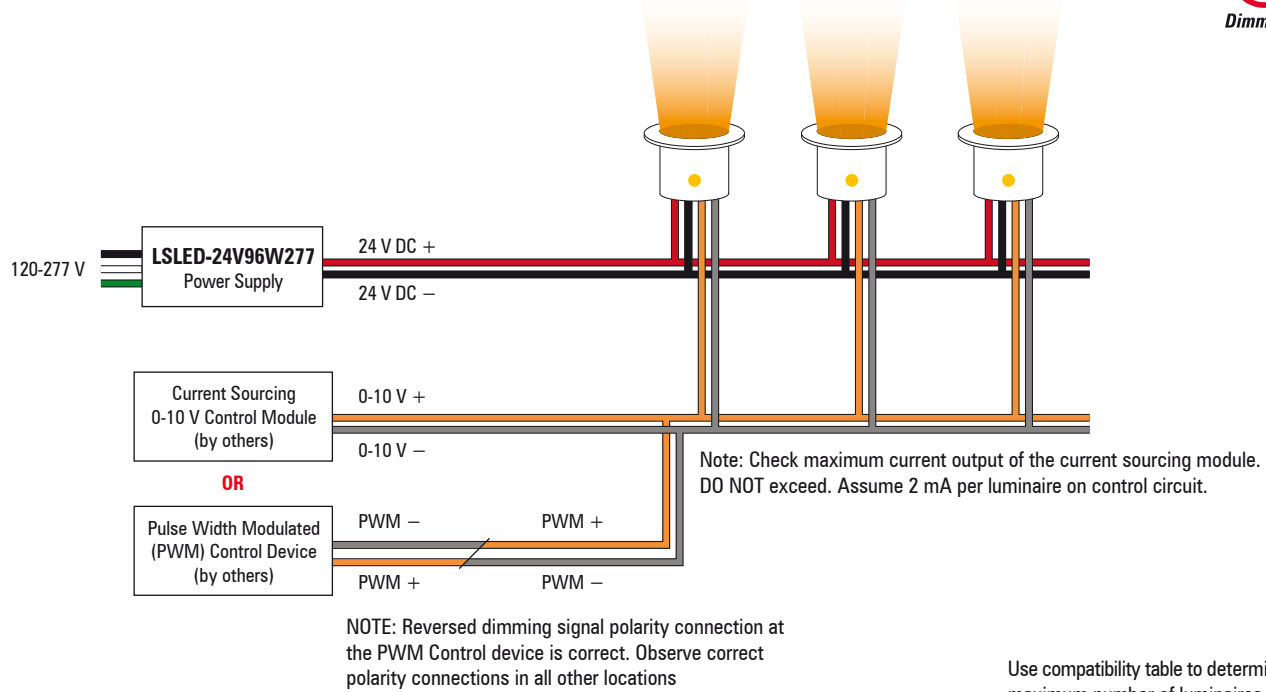
LAMP				FINISH		BEAM		CONDUIT CONNECTION		INPUT VOLTAGE	
Description	Wattage	Color	Code	Description	Code	Description	Code	Description	Code	Description	Code
LED	3 W	White (4 300 K typ.)	3W4	Stainless steel	SS	Narrow 14°	NR	½" NPT adapter c/w 6.5' (2.0 m) hook-up wire	21	120-277 V, 50/60 Hz	09
		Warm white (3000 K typ.)	3H6	Black, powder coated	CB	Narrow 25°	NM			12-15 V, 60 Hz or 12-24 V DC	13 ⁽¹⁾
		Blue (470 nm)	3B4	White, powder coated	CW	Medium	ME	0-10 V or PWM Dimmable Driver, 12-15 V, 60 Hz or 12-24 V DC	13-DIM ⁽¹⁾		
						Silver, powder coated	CS	Medium 30°	WD		
						Wide 40°					

⁽¹⁾ Requires appropriate transformer.

Dimmable Wiring Diagram Reference

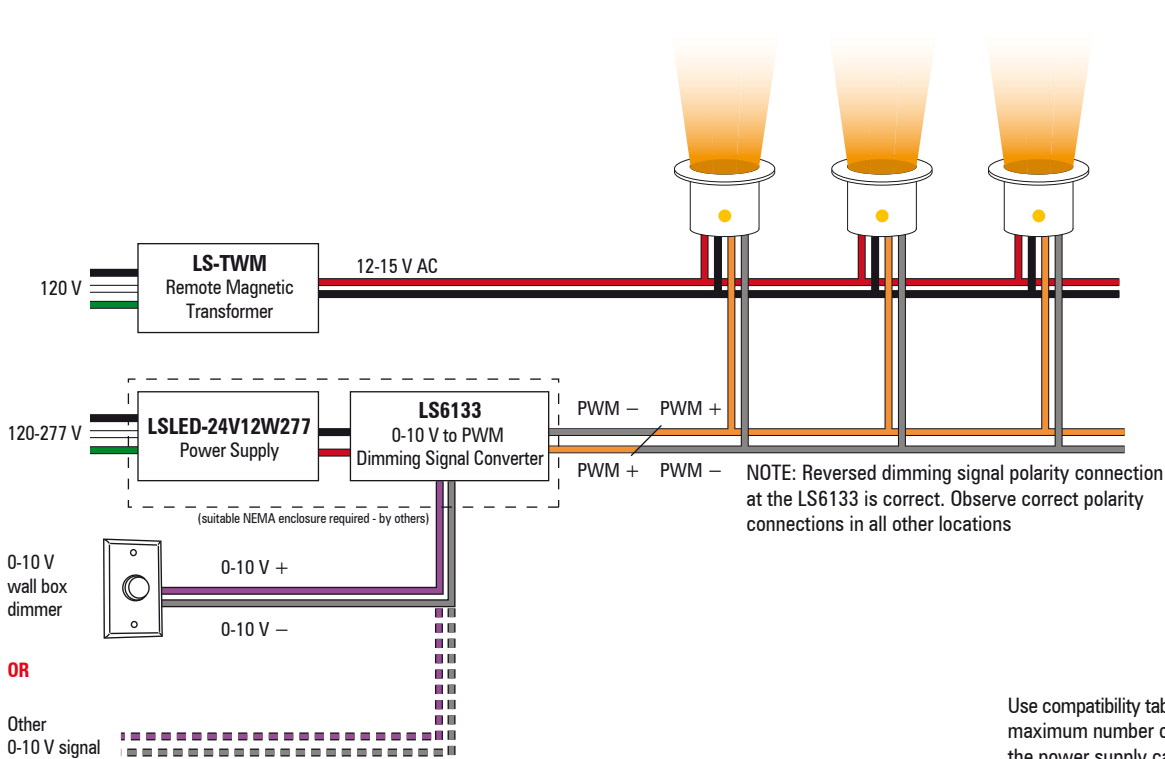
Input Voltage	LED Color	Control Type	Wiring Diagram
13-DIM	Single Color	PWM	2,3,4
13-DIM	RGB	PWM	8,9

Diagram 2 - 0-10 V Dimming Via Current Sourcing Module, or Pulse Width Modulated Dimming (PWM) - Low Voltage LED Luminaire with d5 Driver on 24 V DC Circuit



Use compatibility table to determine maximum number of luminaires the power supply can support.

Diagram 3 - 0-10 V Dimming - Low Voltage LED Luminaire with d5 Driver on 12-15 V AC Circuit



Use compatibility table to determine maximum number of luminaires the power supply can support.

NOTE: The above diagrams are intended to show electrical pathways between luminaires and ancillary devices. These diagrams are not intended to show type or color of cord/wire, wire gauge or approved use of the cord/wire supplied with luminaires.

Consult the luminaire-specific cutsheet or the factory for detailed specifications.

Diagram 4 - 0-10 V Dimming - Low Voltage LED Luminaire with d5 Driver on 24 V DC Circuit

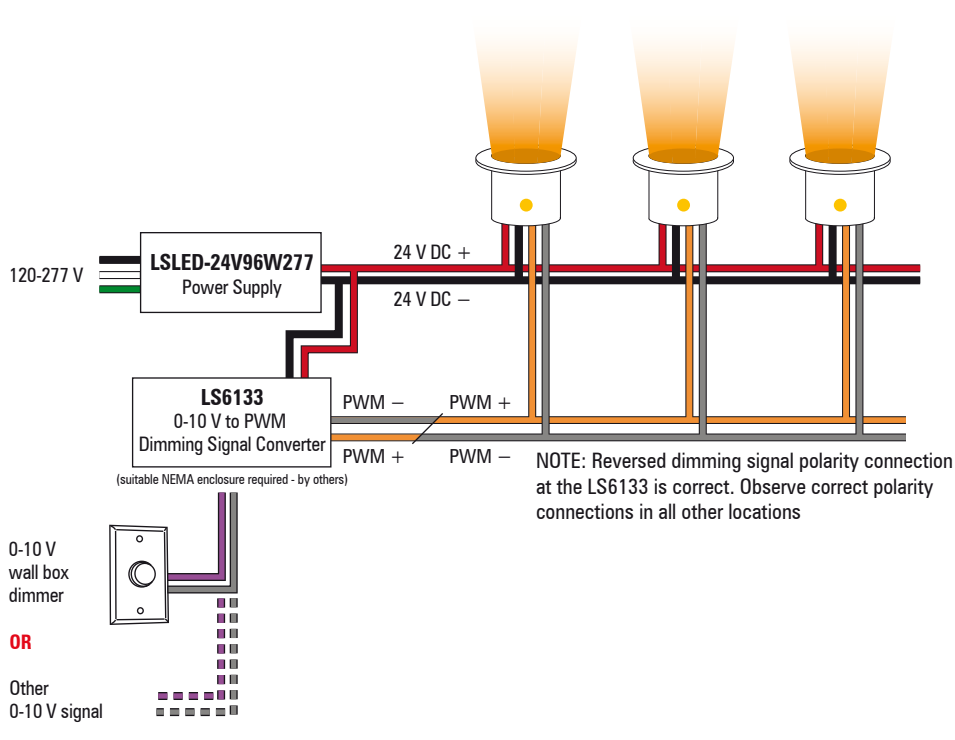
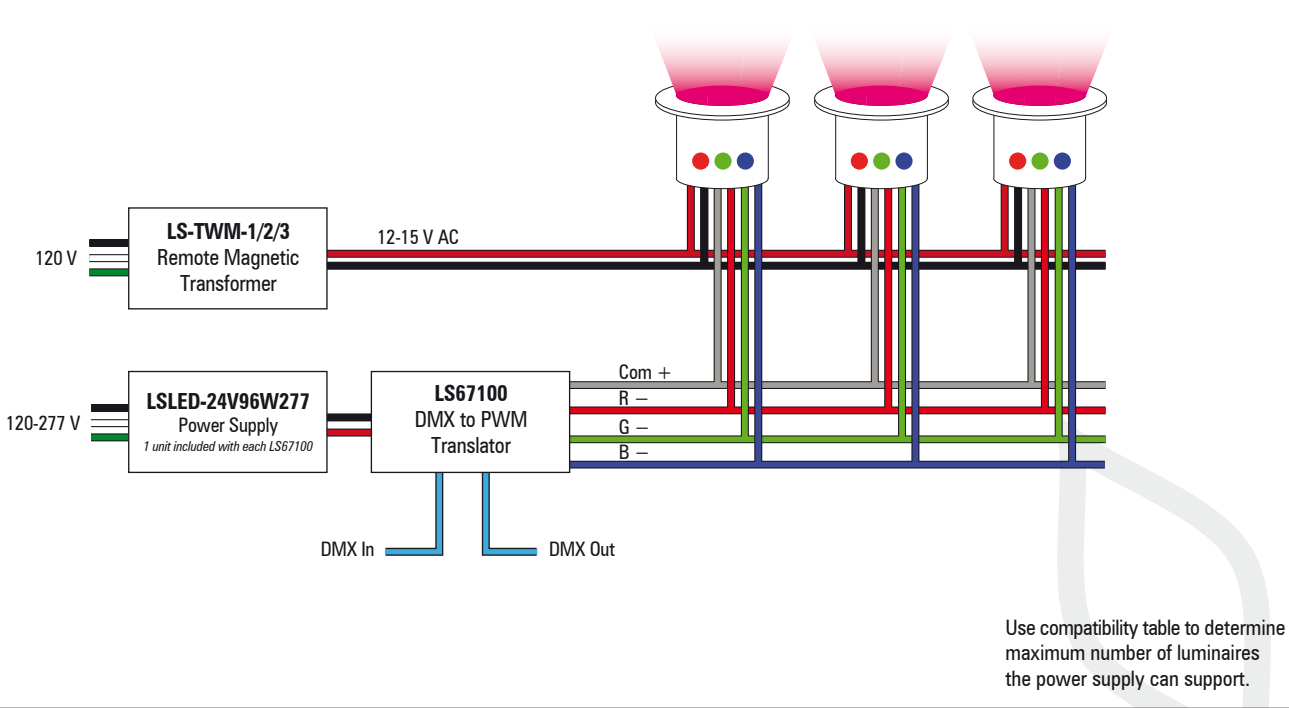


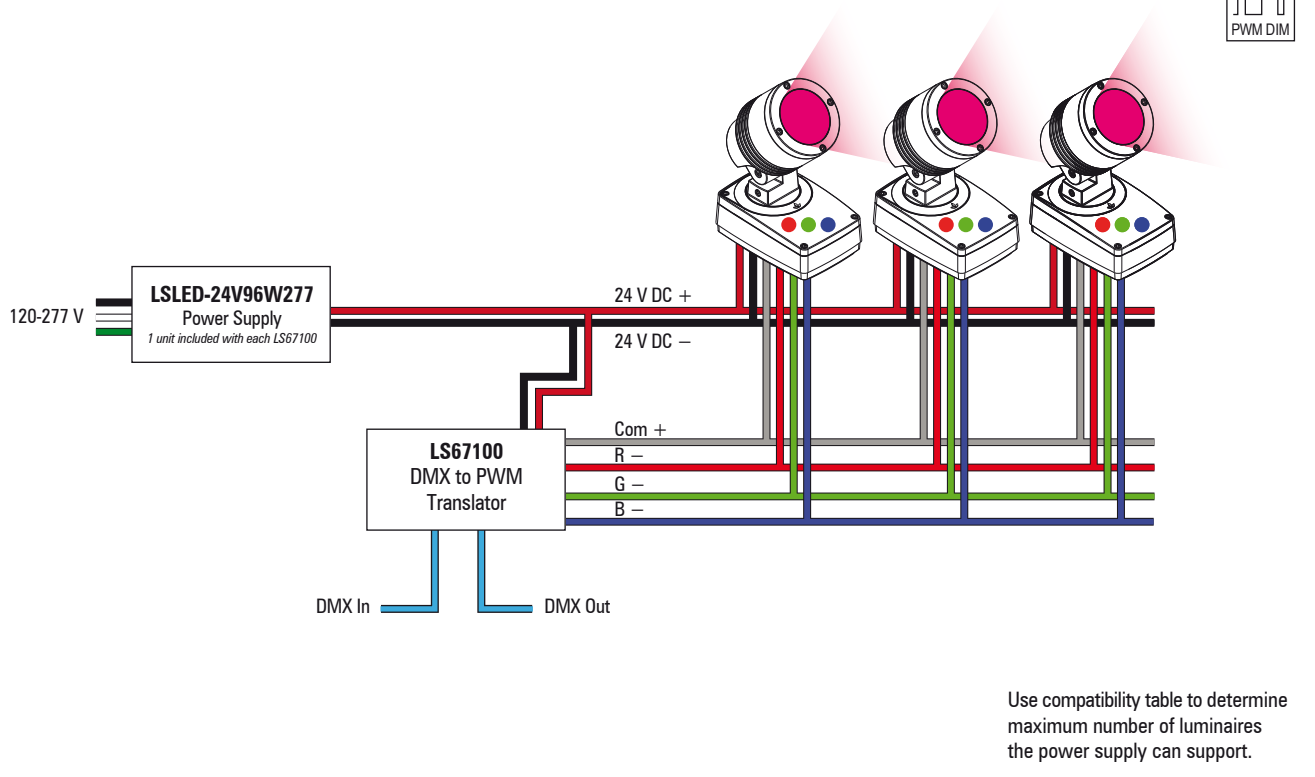
Diagram 8 - RGB via DMX for Low Voltage LED Luminaire on 12-15 V AC Circuit



NOTE: The above diagrams are intended to show electrical pathways between luminaires and ancillary devices. These diagrams are not intended to show type or color of cord/wire, wire gauge or approved use of the cord/wire supplied with luminaires.

Consult the luminaire-specific cutsheet or the factory for detailed specifications.

Diagram 9 - RGB via DMX for Low Voltage LED Luminaire on 24 V DC Circuit



NOTE: The above diagrams are intended to show electrical pathways between luminaires and ancillary devices. These diagrams are not intended to show type or color of cord/wire, wire gauge or approved use of the cord/wire supplied with luminaires.

Consult the luminaire-specific cutsheet or the factory for detailed specifications.

Transformers and Power Supplies for Low Voltage LED Luminaires

The following list of transformers and power supplies are for use with luminaires specifically described as being compatible with either 12 V AC (wirewound only) transformers or with 12-24 V DC power supplies. Compatibility will be noted in the ordering code of the luminaire concerned, and will typically be referenced by Voltage Code '13' or '13-DIM'. In the case of '13-DIM' additional components may be required. Refer to the applicable wiring diagram/s.

Compatibility with each transformer or power supply is indicated by the value mentioned, representing the maximum number of luminaires that may be powered from each transformer or power supply. Please note, this does not take into consideration voltage drop or ampacity limits of the branch circuit. For assistance, please contact factory.

	Wall Mounted Landscape Lighting Transformers			Wall Mounted Transformers				Class 2 Power Supply	Direct Burial Transformer
	LS-TWM-1-300	LS-TWM-2-600	LS-TWM-3-900	LS-TWM-50	LS-TWM-100	LS-TWM-150	LS-TWM-250	LSLED-24V96W277	LS-TDB1-300
Input Voltage	120 V, 60 Hz	120 V, 60 Hz	120 V, 60 Hz	120 V, 60 Hz	120 V, 60 Hz	120 V, 60 Hz	120 V, 60 Hz	120-277 V, 50/60 Hz	120 V, 60 Hz
Output Voltage	12/13/14/15 V 60 Hz	12/13/14/15 V 60 Hz	12/13/14/15 V 60 Hz	12 V, 60 Hz	12 V, 60 Hz	12 V, 60 Hz	12 V, 60 Hz	24 V DC	12.5 V, 60 Hz
Wattage	1 x 300 W circuit	2 x 300 W circuits	3 x 300 W circuits	50 W	100 W	150 W	250 W	96 W	300 W
LS563LED, 1 Watt	96	192	288	16	32	48	80	2* - 40	96
LS563LED, 3 Watt	42	84	126	7	14	21	35	17	42

*Minimum number of luminaires.



Transformers for Landscape Lighting Applications

LS-TWM-1-300

Magnetic transformer - wall mounted

Input	120 V
Rating	300 W
Output	12/13/14/15 V
Output Circuits	1
Protection	Electrostatic shield, magnetic breaker
Approvals	UL, CUL
NEMA Rating	3R
Construction	Stainless steel
Dimensions	H 17.6" (447 mm) W 6.8" (173 mm) D 6.19" (157 mm)
Weight	27 lb (12.3 kg)

LS-TWM-3-900

Magnetic transformer - wall mounted

Input	120 V
Rating	900 W
Output	12/13/14/15 V
Output Circuits	3
Protection	Electrostatic shield, magnetic breaker
Approvals	UL, CUL
NEMA Rating	3R
Construction	Stainless steel
Dimensions	H 18.6" (472 mm) W 7.8" (198 mm) D 6.19" (157 mm)
Weight	34 lb (15.5 kg)

LS-TWM-2-600

Magnetic transformer - wall mounted

Input	120 V
Rating	600 W
Output	12/13/14/15 V
Output Circuits	2
Protection	Electrostatic shield, magnetic breaker
Approvals	UL, CUL
NEMA Rating	3R
Construction	Stainless steel
Dimensions	H 17.6" (447 mm) W 6.8" (173 mm) D 6.19" (157 mm)
Weight	29 lb (13.2 kg)

LS-TDB1-300

Magnetic transformer - direct burial

Input	120 V
Rating	300 W
Output	12.5 V
Output Circuits	1
Protection	Circuit breaker
Approvals	ETL (US and Canada)
NEMA Rating	12
Construction	Reinforced composite
Dimensions	H 9" (229 mm) W 9" (229 mm) D 7" (178 mm)
Weight	8 lb (3.6 kg)

Wall Mounted Transformers

LS-TWM-50

Magnetic transformer - wall mounted

Input	120 V or 240 V
Rating	50 W
Output	12 V or 24 V
Output Circuits	1
Protection	Isolation type transformer
Approvals	UL, CUL
NEMA Rating	3R
Construction	Powder coated steel
Dimensions	H 8.03" (204 mm) W 3.31" (84 mm) D 3.08" (78 mm)
Weight	4.4 lb (2 kg)

LS-TWM-150

Magnetic transformer - wall mounted

Input	120 V or 240 V
Rating	150 W
Output	12 V or 24 V
Output Circuits	1
Protection	Isolation type transformer
Approvals	UL, CUL
NEMA Rating	3R
Construction	Powder coated steel
Dimensions	H 8.03" (204 mm) W 3.31" (84 mm) D 3.08" (78 mm)
Weight	5.6 lb (2.5 kg)

LS-TWM-100

Magnetic transformer - wall mounted

Input	120 V or 240 V
Rating	100 W
Output	12 V or 24 V
Output Circuits	1
Protection	Isolation type transformer
Approvals	UL, CUL
NEMA Rating	3R
Construction	Powder coated steel
Dimensions	H 8.03" (204 mm) W 3.31" (84 mm) D 3.08" (78 mm)
Weight	4.8 lb (2.2 kg)

LS-TWM-250

Magnetic transformer - wall mounted

Input	120 V or 240 V
Rating	250 W
Output	12 V or 24 V
Output Circuits	1
Protection	Isolation type transformer
Approvals	UL, CUL
NEMA Rating	3R
Construction	Powder coated steel
Dimensions	H 8.03" (204 mm) W 3.31" (84 mm) D 3.08" (78 mm)
Weight	6.7 lb (3 kg)

Class 2 LED Power Supplies

LSLED-24V96W277

Electronic DC power supply - wall mounted

Input	120-277 V, 50/60 Hz
Rating	96 W / 4 A
Output	24 V DC
Output Circuits	1
Approvals	CSA, CSA-US
Location	Wet location
Dimensions	H 12.32" (313 mm) W 2.54" (65 mm) D 1.67" (42 mm)
Weight	2 lb (0.9 kg)

LSLED-24V12W277

Electronic DC power supply - NEMA enclosure required (by others)

Input	120-277 V, 50/60 Hz
Rating	12 W / 0.5 A
Output	24 V DC
Output Circuits	1
Approvals	UL, CUL Recognized, Class 2
IP rating	IP66
Location	Wet location
Dimensions	H 3.35" (85 mm) W 1.42" (36 mm) D 0.91" (23 mm)
Weight	0.282 lb (0.1 kg)

Control Related Equipment

LS6133

0-10 V to PWM translator - NEMA enclosure required (by others)

Input	24 V DC
Rating	96 W max
Output	4 A max
Output Circuits	1
Approvals	UL, CUL Recognized, Class 2
IP Rating	IP66
Dimensions	H 5.2" (132 mm) W 1.3" (33 mm) D 1" (25 mm)
Weight	0.2 lb (0.1 kg)

LS67100

DMX to PWM translator - dry location only

Input	24 V DC
Rating	4 x 60 W max
Output	4 x 2.5 A max
Output Circuits	4
Approvals	UL, CUL
IP Rating	N/A
Dimensions	H 11.25" (286 mm) W 4.6" (117 mm) D 3.2" (82 mm)
Weight	0.5 lb (0.2 kg)

