

INSTALLATION INSTRUCTIONS

Underwater

MODEL: LS265LED Tristar

INPUT VOLTAGE: 12-15 V AC, 60 Hz



LS265LED Tristar (IP68)

Warranty void if not installed per instructions and local electrical code

Note: Fixture uses intelligent driver. Always leave on for 20 seconds unless programing.

DANGER

ISOLATE LUMINAIRE FROM POWER

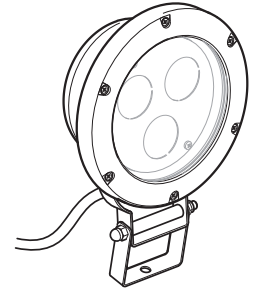
Failure to isolate power supply before installation or maintenance may result in fire, serious injury, electric shock, death and may damage the luminaire.



CAUTION

- Luminaire is factory sealed. Do not remove cover.
- The luminaire should only be used complete with its protective shield (cover).
- Do not shorten, interfere or disconnect cable from luminaire. Warranty will be void if cable assembly is tempered with.
- If cable is damaged replace with cable supplied by Lumascope only.
- Do not use power tools to tighten screws.
- Do not overtighten screws.

FINISHED APPEARANCE



WARNING

It is strongly recommended to use Lumascope transformer

Opening luminaire will void warranty

Install in accordance with National Electric Code, ANSI/NFPA 70 or the Canadian Electrical Code, Part I (CEC), CSA C22.1

Never use electronic transformers with LED luminaires

1. Luminaire is factory sealed. **Do not remove cover.**

Mount securing bracket using a suitable non-corrosive fastener. The body bracket may be removed by removing one dome nut and the threaded bar to ease tightening of the fastener. One 5/16 in (8 mm) stainless steel masonry anchor is recommended for concrete mounting.

2. Important: Ensure that luminaire is fully submerged before operation.

Failure to do so can result in luminaire overheating.

Power supply must be isolated prior to connection or disconnection of cables. Failure to do so will result in damage to the luminaire components.

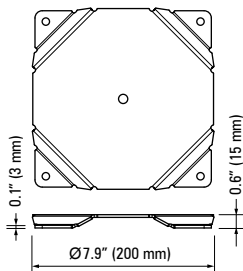
3. Reattach body bracket to securing bracket if required, and then finger tighten dome nuts.

4. Run the cable out and connect to a suitable source of power for single colour applications or DMX controller and source of power when used with RGB.

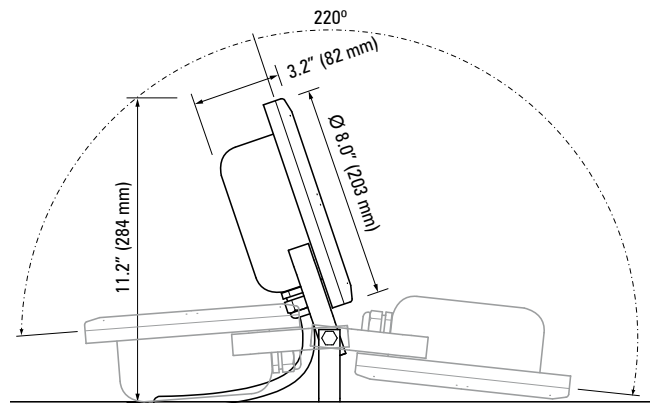
5. Do not loose joint the cable under water. Where it is necessary to joint cables underwater the connections and cables must be IP68 rated.

6. Ensure that the supply voltage is 12 volts before switching on.

IMPORTANT: Ensure that the luminaire is fully submerged in water.



LS6074 Mounting Plate
(optional accessory)



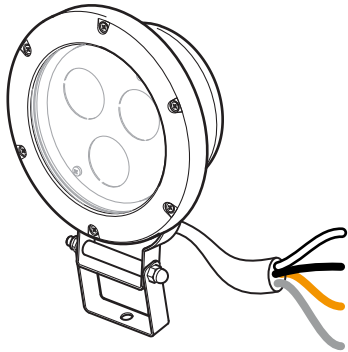
LS265LED Tristar

Should you experience any difficulty, please contact Lumascope directly: phone (866) 695-5862 or email info@lumascope.com

IF IN DOUBT, PLEASE CALL

Single Colour Wiring Diagram (Dimmable)

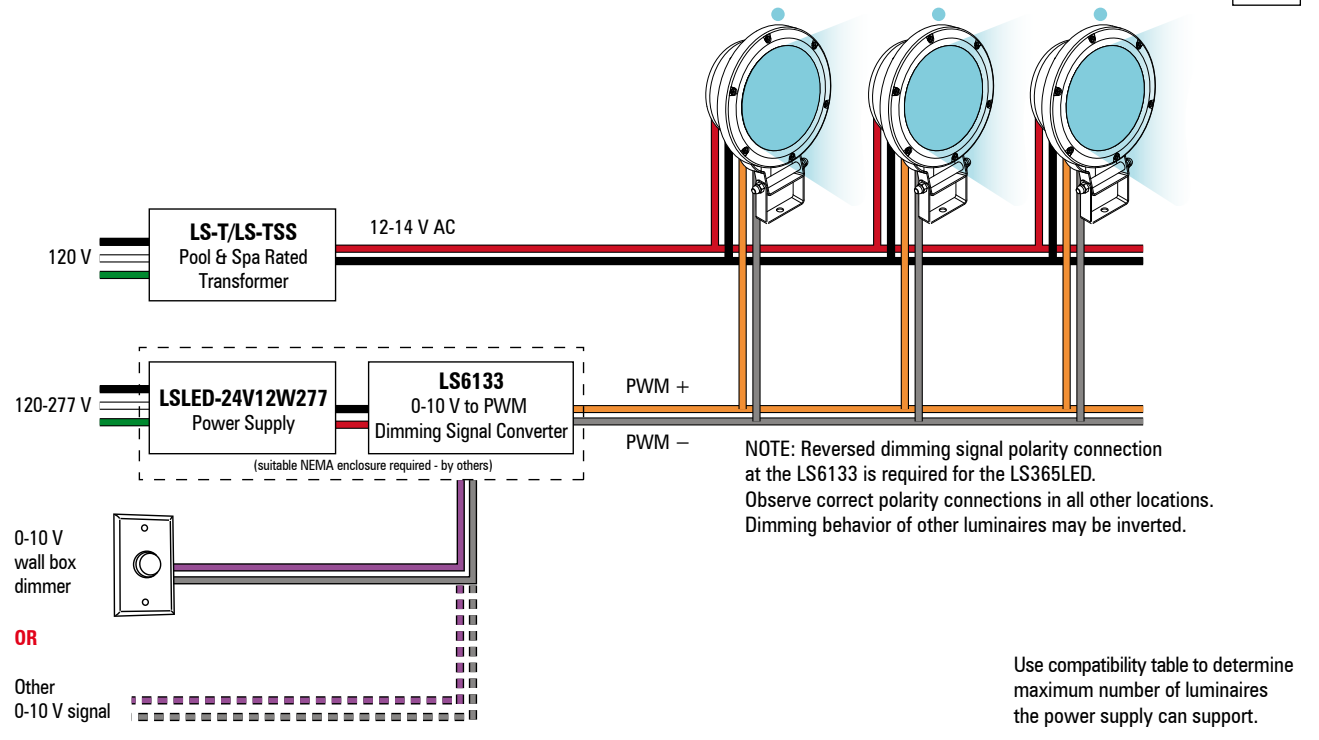
Please ensure that installation complies with local authority standards



Conductor Colour	Designation
Red or White	AC1
Black	AC2
Orange	PWM+
Grey	PWM-

Diagram 7 - 0-10 V Dimming - Low Voltage Submersible LED Luminaire on 12-14 V AC Circuit

Please note: the use of a GFCI may be required. Consult local wiring rules.



NOTE: Diagram 7 is intended to show electrical pathways between luminaires and ancillary devices. This diagram is not intended to show type or color of cord/wire, wire gauge or approved use of the cord/wire supplied with luminaires.

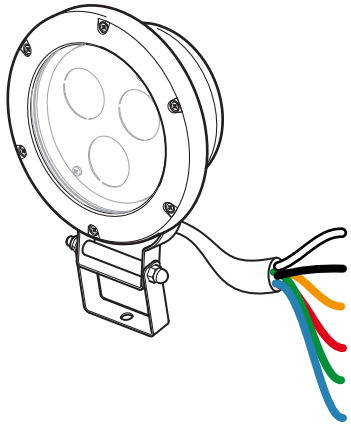
Should you experience any difficulty, please contact Lumascope directly: phone (866) 695-5862 or email info@lumascope.com

IF IN DOUBT, PLEASE CALL

www.lumascope.com

Wiring Diagram (RGB)

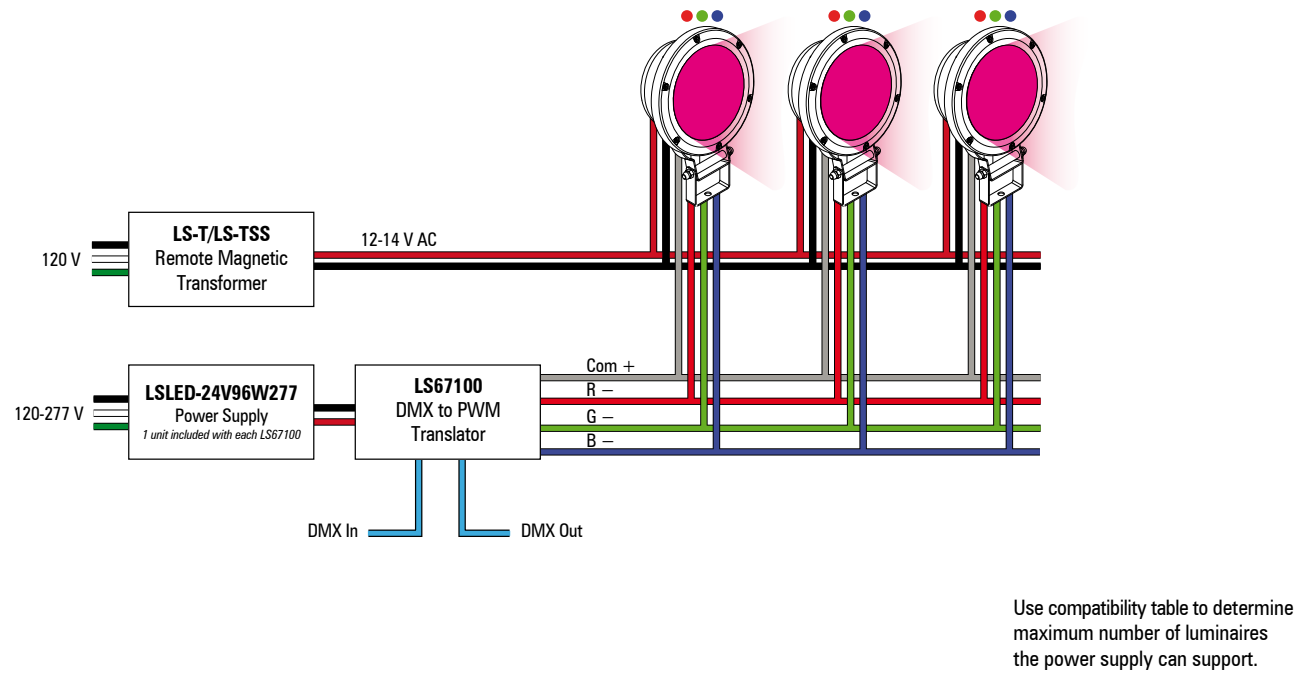
Please ensure that installation complies with local authority standards



Conductor Colour	Designation
White	AC1
Black	AC2
Orange	PWM Common
Red	PWM Red
Green	PWM Green
Blue	PWM Blue

Diagram 10 - RGB via DMX for Low Voltage Submersible LED Luminaire on 12-14 V AC Circuit

Please note: the use of a GFCI may be required. Consult local wiring rules.



NOTE: Diagram 10 is intended to show electrical pathways between luminaires and ancillary devices. This diagram is not intended to show type or color of cord/wire, wire gauge or approved use of the cord/wire supplied with luminaires.

Should you experience any difficulty, please contact Lumascope directly: phone (866) 695-5862 or email info@lumascope.com

IF IN DOUBT, PLEASE CALL

www.lumascope.com

Transformers for Submersible & Swimming Pool-rated LED Luminaires

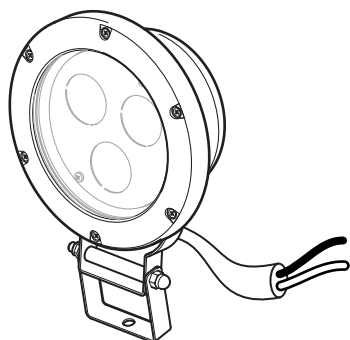
The following list of transformers are for use with submersible and/or pool rated luminaires specifically described as being compatible with 12 V AC (wirewound only) transformers. Compatibility will be noted in the ordering code of the luminaire concerned, and will typically be referenced by Voltage Code '13' or '13-DIM'. In the case of '13-DIM' additional components may be required. Refer to the applicable wiring diagram/s.

Compatibility with each transformer or power supply is indicated by the value mentioned, representing the maximum number of luminaires that may be powered from each transformer or power supply. Please note, this does not take into consideration voltage drop or ampacity limits of the branch circuit. For assistance, please contact factory.

	Pool, Spa & Fountain Transformers					
	LS-T-100	LS-TSS-100	LS-T-300	LS-TSS-300	LS-T-500	LS-TSS-500
Input Voltage	120 V, 60 Hz	120 V, 60 Hz	120 V, 60 Hz	120 V, 60 Hz	120 V, 60 Hz	120 V, 60 Hz
Output Voltage	12/13/14 V 60 Hz	12/13/14 V 60 Hz	12/13/14 V 60 Hz	12/13/14 V 60 Hz	12/13/14 V 60 Hz	12/13/14 V 60 Hz
Wattage	100 W	100 W	300 W	300 W	500 W	500 W
LS265LED	1	1	5	5	8	8

Single Colour Wiring Diagram (Non - Dimmable)

Please ensure that installation complies with local authority standards



Conductor Colour	Designation
Black	AC1
White	AC2

SAFETY INSTRUCTIONS

WARNING - To reduce the risk of FIRE or INJURY:

1. Luminaires and transformers to be installed by licensed electrical contractors.
2. Luminaires to be used for intended purpose only.
3. Do not operate the luminaires with a missing or damaged parts.
4. Use only genuine Lumascope parts to replace damaged or missing components.
5. Refer to instructions for installation and operating requirements.
6. Ensure installation complies with local regulations

Voltage insulation test (megger) will permanently damage product and will void warranty.

SAVE THESE INSTRUCTIONS.

Should you experience any difficulty, please contact Lumascope directly: phone (866) 695-5862 or email info@lumascope.com

IF IN DOUBT, PLEASE CALL

www.lumascope.com