

# INSTALLATION INSTRUCTIONS

DOWNLIGHT

MODEL: LS134LED Medina

INPUT VOLTAGE: 12-15 V AC 60 Hz, 12-24 V DC



## LS134LED

**Warranty void if not installed per instructions and local electrical code**

**Note: Fixture uses intelligent driver. Always leave on for 20 seconds unless programming.**

### WARNING

**Check luminaire label for input requirements.**

**Do not use power tools to assemble or fasten.**

**Luminaires can become very hot; use discretion in placement.**

Install in accordance with National Electric Code, ANSI/NFPA 70 or the Canadian Electrical Code, Part I (CEC), CSA C22.1

### CAUTION

**For downlight use only**

**Do not operate without appropriate transformer / power supply. Contact Lumascope for options.**

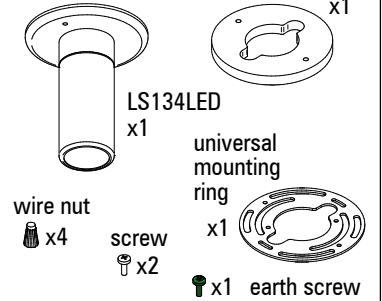
**Use 12-15 V AC magnetic transformer or 12-24 V DC ripple free power supply. Luminaire not compatible with 12 V AC electronic supplies.**

**All connections must be kept clean and dry; failure to do so may result in product reliability issues.**

**Do not operate luminaire with missing or damaged components.**

**All connections must be kept clean and dry.**

### COMPONENTS

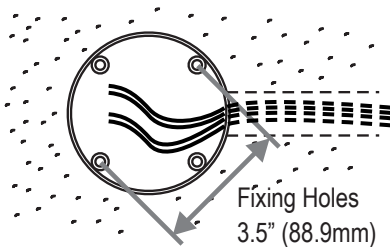
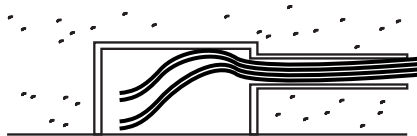


#### 1. Make sure all power is isolated before you begin!

Read the luminaire label to confirm the supply details.

Run a supply cable to the junction box on which the luminaire is to be installed. Refer to the table below for details:

Luminaire Type	Supply Wires Required
Single Colour Non-Dimmable	2
Single Colour Dimmable	4



Fixing Holes  
3.5" (88.9mm)

4" round/octagonal  
junction box,  
(by others).

#### 2.

Screw universal mounting ring to junction box.

Earth universal mounting ring in accordance with NEC and local code requirements.

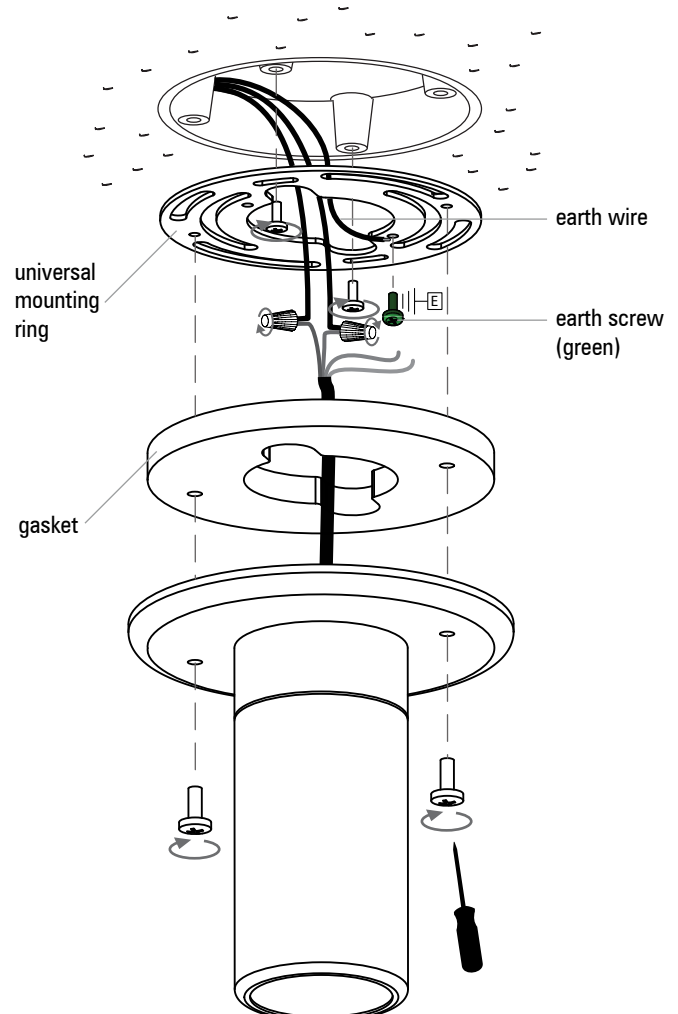
Connect luminaire to supply wires using wire nuts.

Refer to wiring diagram over for details.

Screw the luminaire to the universal mounting ring making sure the gasket is correctly inserted between the luminaire and the junction box.



**It is the installers responsibility to ensure properly seal of the junction box to stop moisture entering the fixture.**

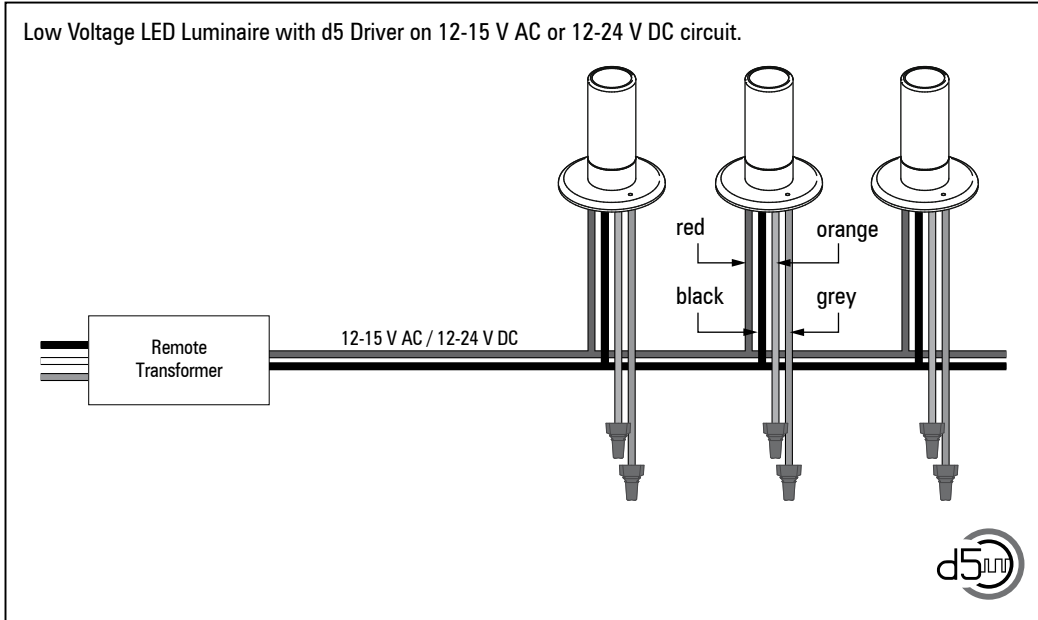


Should you experience any difficulty, please contact Lumascope directly: phone (866) 695-5862 or email [info@lumascope.com](mailto:info@lumascope.com)

## IF IN DOUBT, PLEASE CALL

[www.lumascope.com](http://www.lumascope.com)

## Wiring for Non-Dimming Installations



NOTE: The above diagram is intended to show electrical pathways between luminaires and ancillary devices. This diagram is not intended to show type or color of cord/wire, wire gauge or approved use of the cord/wire supplied with luminaires.

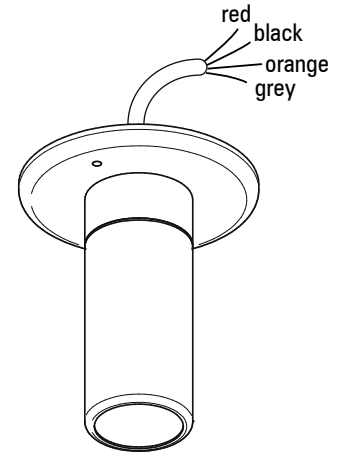
**Consult the luminaire-specific cutsheet or the factory for detailed specifications.**

**IMPORTANT:** For instructions on how to fine tune the brightness of the luminaire, refer to instruction sheet IN0059US "How to adjust the brightness for your d5 equipped luminaire". Please note, this capability only applies for luminaires not connected to any other control signal.

## Wiring Polarity

red	V+
black	V-
orange	DIM+ (connection optional)
grey	DIM- (connection optional)

**NOTE:** Connect dimming wires only if needed. Otherwise isolate.



Cord 20 gauge (0.5 mm<sup>2</sup>)

## Wiring for Dimming Configurations

Please refer to the appropriate wiring diagram for information on required system components and connectors.

### Dimmable Wiring Diagram Reference

Input Voltage	LED Color	Control Type	Wiring Diagram
13-DIM	Single Color	PWM	2,3,4

Should you experience any difficulty, please contact Lumascope directly: phone (866) 695-5862 or email [info@lumascope.com](mailto:info@lumascope.com)

**IF IN DOUBT, PLEASE CALL**

[www.lumascope.com](http://www.lumascope.com)