



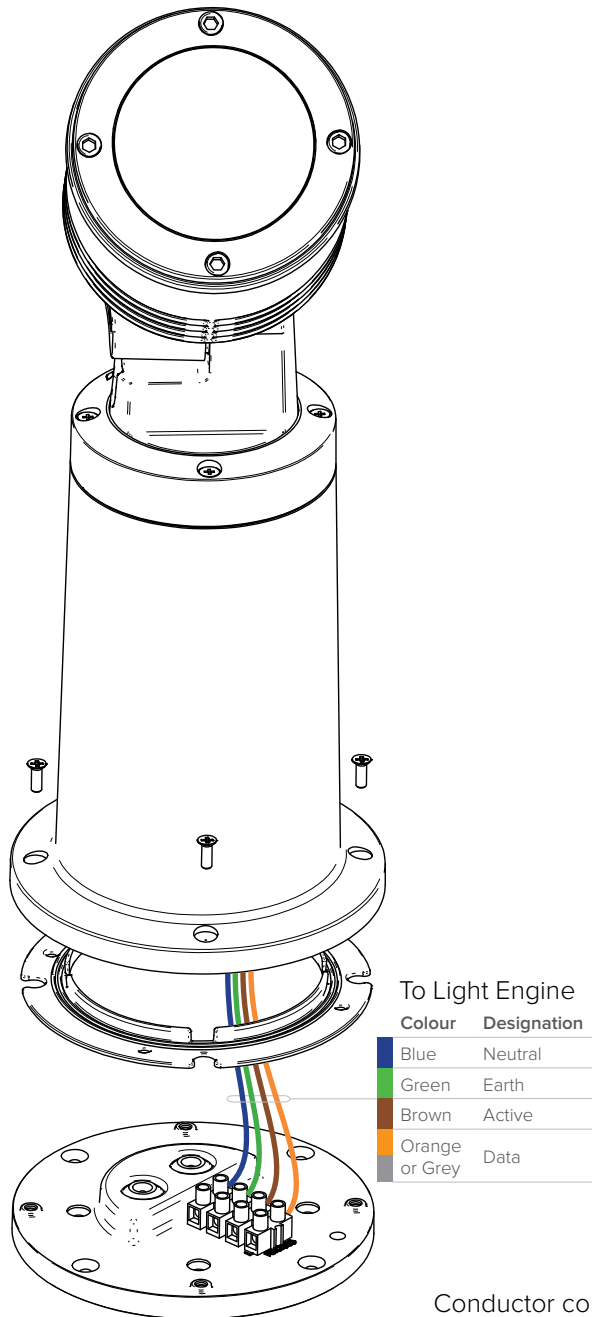
LS2020

READ ALL SAFETY INSTRUCTIONS FIRST

- › Follow instructions carefully, failure to do so will void warranty.
- › Ensure installation complies with local law and applicable standards.
- › Input voltage is 120-277 V AC, 50/60 Hz
- › Only use Lumascape power supply, control equipment and leader cables.
- › Ensure mains input power is surge protected.
- › Never make connections whilst the power is connected.
- › Do not make modifications or alter the product.
- › Keep luminaire and connections clean and free of debris and moisture.
- › It is the installers responsibility that the installation is adequately sealed to avoid moisture ingress.

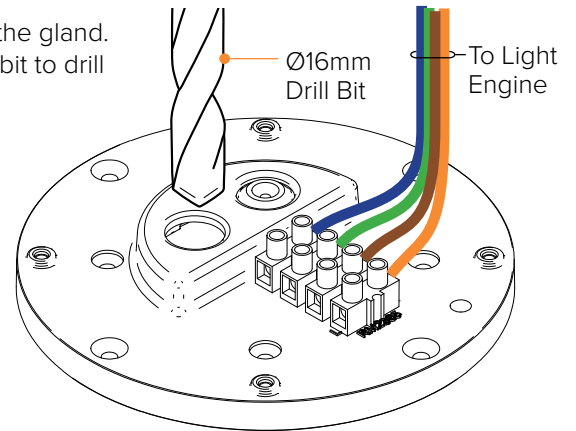
Wire Up Terminal Block

Connect the cables from the LED driver to the terminal block on the base plate.

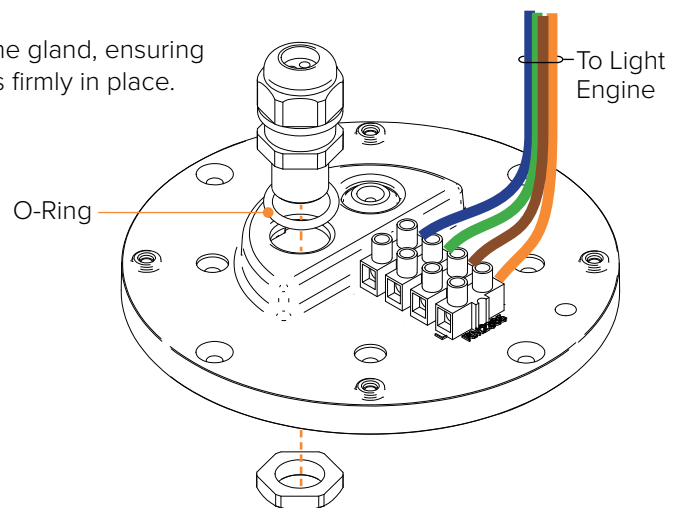


Install Cable Gland

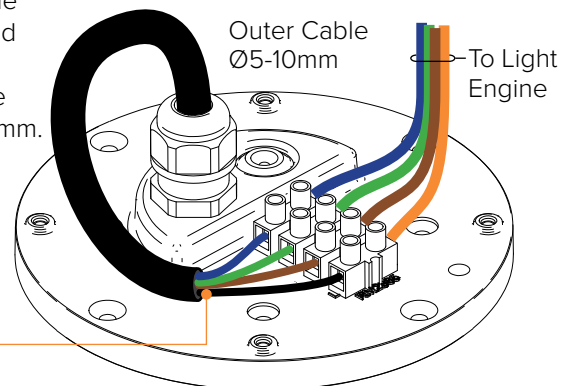
Drill the hole for the gland. Use a 16mm drill bit to drill the gland hole.



Insert the gland, ensuring o-ring is firmly in place.



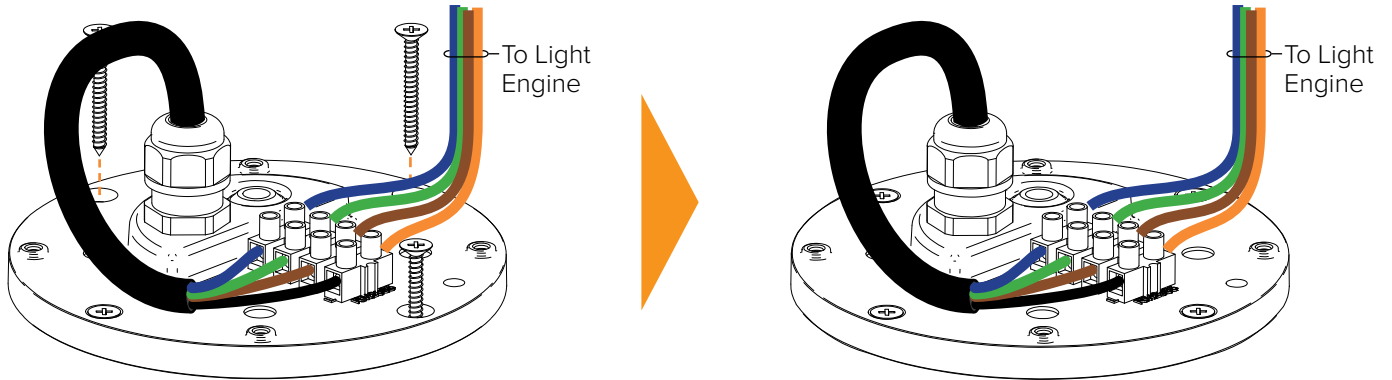
Feed supply cable through gland and tighten. Outer diameter of cable should be Ø5-10mm. Connect supply cable to terminal block.



Conductor colours shown are for a standard Lumascape leader cable.

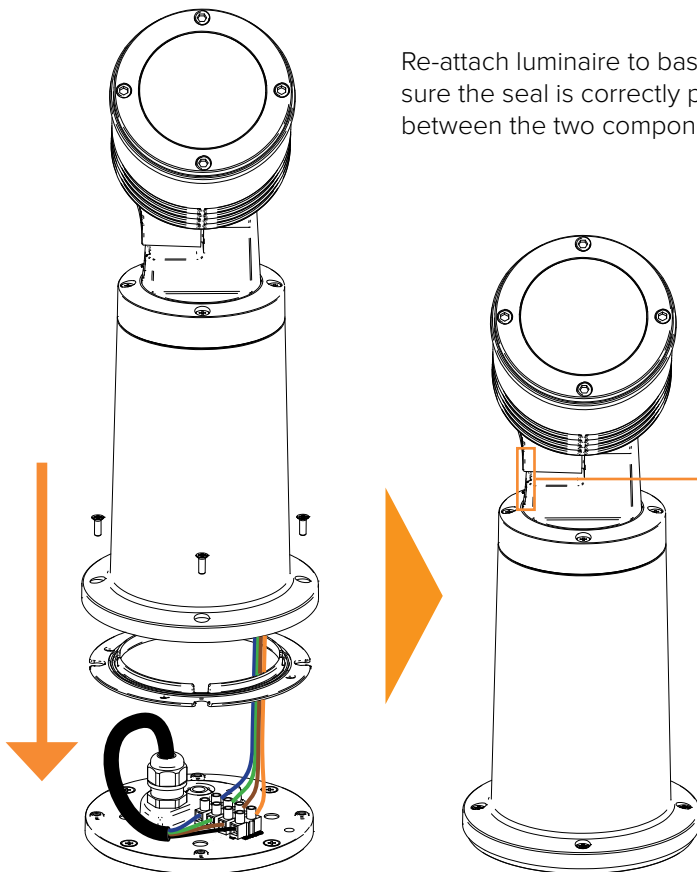
Mount Luminaire Base Plate

Bolt luminaire to mounting surface.



Close Luminaire

Re-attach luminaire to base, making sure the seal is correctly placed between the two components.



Aim Luminaire

Using an Allen key adjust the Luminaire's tilt and rotation.
Loosen the screws to adjust and tighten to lock luminaire into place.

