

Electrical

LED Power	76 W
Power Consumption	≤ 80 W maximum
Lifetime (L70)	> 60,000 hrs (B10, L70, TM21)
Input Voltage	Low Voltage 30 Vdc
Thermal Management	CoolDrive™ onboard thermal monitoring and control

Controls

Interface	Lumascap PowerSync™
Protocols¹	DMX/RDM, Artnet, PWM ² 0-10 V (sink or source) ² , Phase-Dimming ²
PWM Frequency	2 kHz flicker-free dimming to 0.1%
Systems	Range of third-party controllers

¹ Some protocols require additional hardware. For details and other available protocols contact Lumascap.

² Not available for color-changing or tunable white.

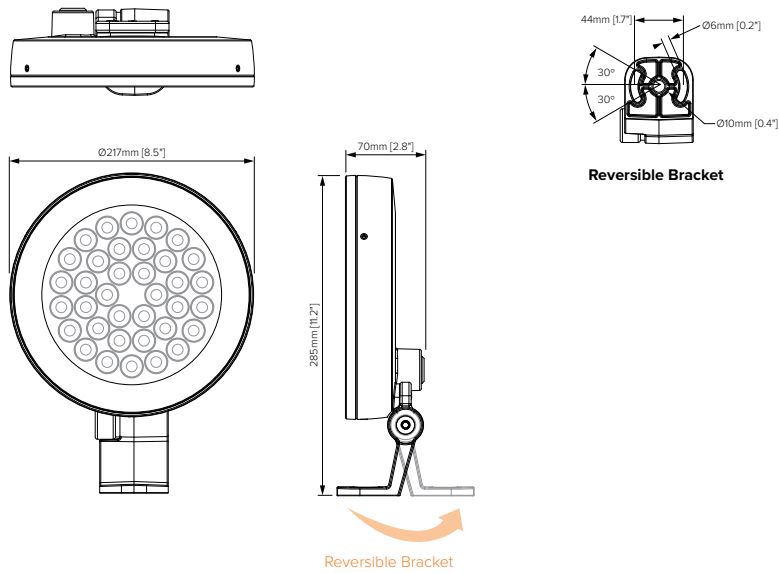
Physical

Housing	Die-cast brass with tempered glass lens, stainless steel fasteners and constant torque adjustable mounting bracket (lockable and reversible)
Finish	Natural brass and black epoxy top coat
Installation	Surface-mounted
Adjustable	Constant torque adjustable mounting bracket (lockable and reversible)
Ambient Operating Temperature	-4 °F to 104 °F (-20 °C to 40 °C)
Water Temperature Rating	41 °F to 104 °F (5 °C to 40 °C)
Surface Temperature	≤138 °F (59 °C)
Weight	14.5 lbs (6.5 kg)

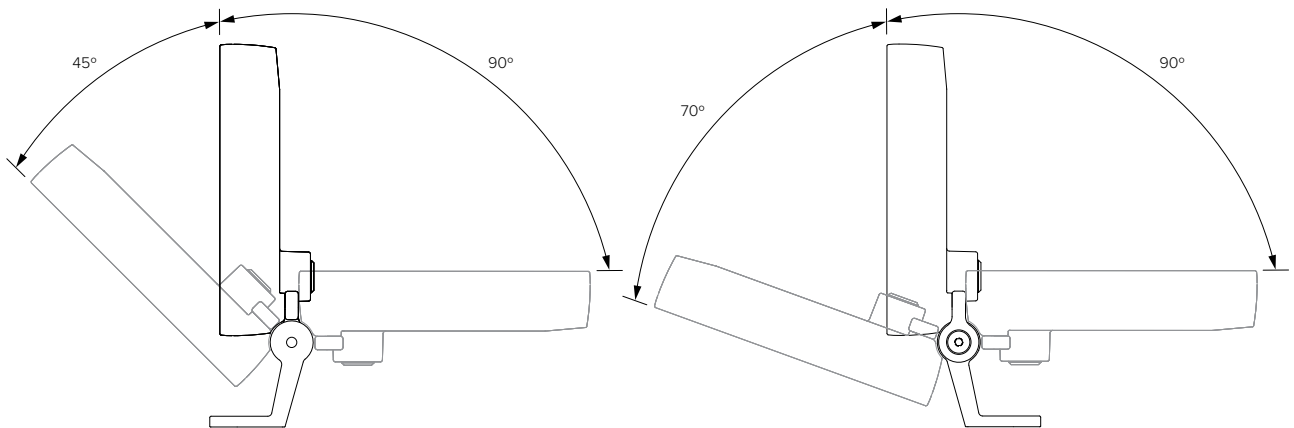
Certification & Compliance

IP Rating	IP68 to 6 ft (1.8 m)
IK Rating	IK9
Environment	Submersible (Fountain / Water feature only)
Certifications	ETL, CE, RCM

Dimensions

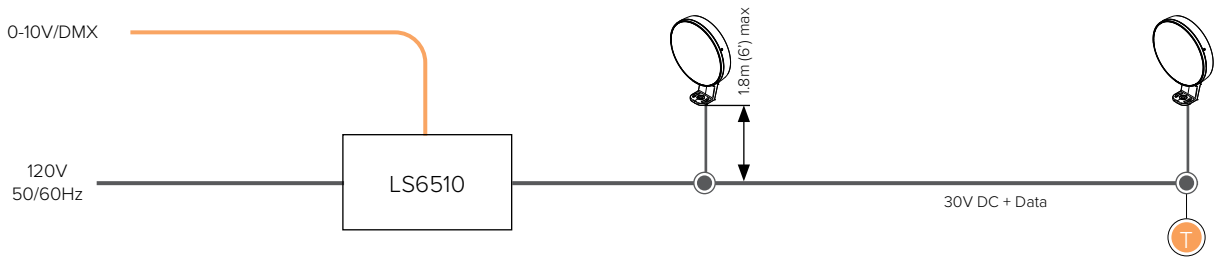


Luminaire Rotation



Network Topology – Dimmable and Color-Changing via PowerSync™

North America Market



Maximum luminaires per run under the following conditions:

- Low voltage circuit – maintain voltage drop within acceptable limits.
- For circuit length in excess of 100 ft (30 m), maintain data wire size as not larger than 14 AWG.
- Refer to 'Transformer Compatibility Table' table for maximum number of luminaires
- Always observe local electrical codes for branch circuit current limitations



Terminator

Use PowerSync™ terminator, supplied with leader cable to terminate last luminaire in chain.



Connection Type

Circuits can be configured as either connectorized or hardwired. For details refer to installation instructions and comply with local electrical codes.

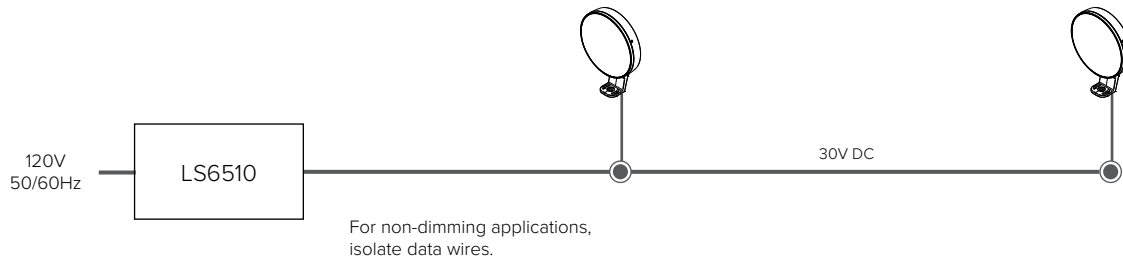
Transformer Compatibility Table

Maximum Number of Luminaires	
LS6510	Luminaire Power (32 W)
240 W	2

Refer to PowerSync™ installation instructions for maximum distance information and topology options. For non-continuous runs contact Lumascope for details.

Network Topology – Non-Dimmable

North America Market



Maximum luminaires per run under the following conditions:

- Low voltage circuit – maintain voltage drop within acceptable limits.
- For circuit length in excess of 100 ft (30 m), maintain data wire size as not larger than 14 AWG.
- Refer to 'Transformer Compatibility Table' table for maximum number of luminaires
- Always observe local electrical codes for branch circuit current limitations

● **Connection Type**

Circuits can be configured as either connectorized or hardwired. For details refer to installation instructions and comply with local electrical codes.

Transformer Compatibility Table

Maximum Number of Luminaires	
LS6510	Luminaire Power (32 W)
240 W	2

Refer to PowerSync™ installation instructions for maximum distance information and typology options. For non-continuous runs contact Lumascope for details.

Wire Colors & Designations

Low Voltage

Designation	Color
30 Vdc +	Red
30 Vdc -	Black
Data +	Orange
Data -	Grey

