

Via VI1 LS553LED



Vedi VD1 LS563LED

Product Warranty is void if product is not installed as per installation instructions and in compliance with the local electrical code.



NO POWER TOOLS



KEEP AWAY FROM FLAMMABLE MATERIAL



DO NOT USE SILICONE ON OUTSIDE SURFACE



KEEP ELECTRONICS FREE FROM DIRECT AND MOISTURE



DO NOT HOSE OR PRESSURE CLEAN



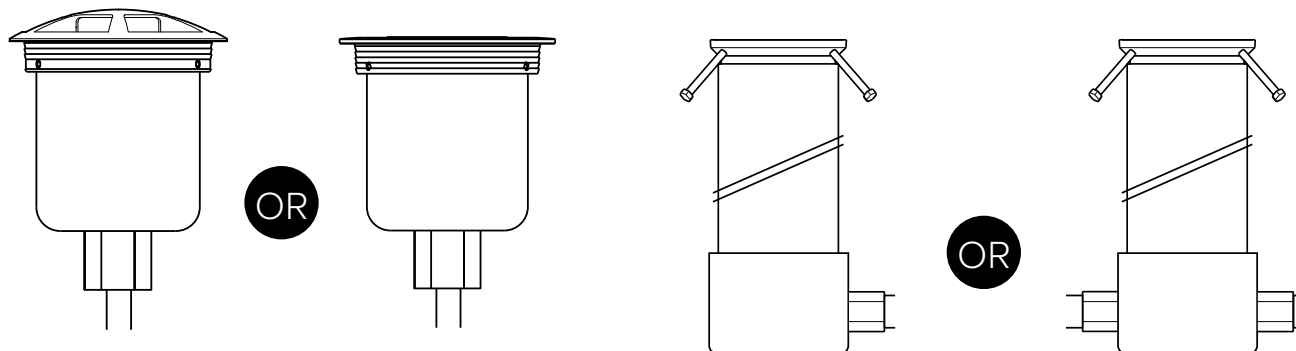
DO NOT USE CHEMICALS OR ABRASIVES

READ ALL SAFETY INSTRUCTIONS FIRST

- › Follow instructions carefully; failure to do so will void warranty.
- › Ensure installation complies with local laws and applicable standards
- › Input voltage range: 12-15 V, 60 Hz or 24 Vdc/110-277 Vac 50/60 Hz
- › Only use Lumascape power supply, control equipment and leader cables
- › Opening luminaire will void warranty
- › Never make connections whilst the power is connected
- › Do not make modifications or alter the product
- › All connections must be kept dry; failure to do so may result in product reliability issues.
- › Only clean with warm water.
- › The use of chemicals and abrasives may damage the luminaire and void warranty.
- › The use of an electronic transformer will permanently damage luminaire.
- › Do not interfere with the luminaire lid or remove it during installation.
- › Warranty will be void if cable assembly is tampered with.

Products and specifications are subject to change without notice.

Component Overview



LS698-K-82-1 Pre-Install Kit
 Complete with ½" NPT adaptor.
 Luminaire supplied with 1' (0.3 m)
 hook-up wire. Order separately.

LS698-K-82-2 - Pre-Install Kit
 Complete with 2 x ½" NPT adaptors.
 Luminaire supplied with 1' (0.3 m)
 hook-up wire. Order separately.

Wiring Polarity



Ensure installation complies with local laws and applicable standards.



Install in accordance with National Electric Code, ANSI/NFPA 70 or the Canadian Electric Code, Part I (CEC), CSA C22.1

Color-Changing

Integral PWM Driver
 12-15 V, 60 Hz or 12-24 Vdc

Wire Colour	Designation
White	V+
Black	V-
Orange	PWM Common
Red	PWM Red
Green	PWM Green
Blue	PWM Blue

Static Color

Dimming Integral PWM Driver
 12-15 V, 60 Hz or 12-24 Vdc

Wire Colour	Designation
White	V+
Black	V-
Purple	PWM +
Grey	PWM -

IMPORTANT:

Please note that the PWM dimming signal polarity is reversed with **LS6133** 0-10V to PWM Translator and any third party PWM controllers.

Static Color

Non-Dimming
 12-15 V, 60 Hz or 12-14 Vac

Wire Colour	Designation
White	V+ or AC
Black	V- or AC

Static Color

Non-Dimming
 110-277 Vac 50/60 Hz

Wire Colour	Designation
White	Active
Black	Neutral
Green/Yellow	Earth

Installation Instructions

WARNING

- › Luminaires can become very hot. Use discretion in placement.
- › Do not use silicone on the outside surface.
- › Do not shorten, interfere or disconnect cable from luminaire.
- › Warranty will be void if cable assembly is tampered with.
- › Not suitable for drive-over applications.

Step 1

Use a Lumascope supplied 24 Vdc ripple-free power supply to locate centrally in relation to the luminaires. Mark actual locations of luminaires to be installed. Calculate the distances, wire gauge and power supply sizes. Run conduit and drill/cast holes as specified.

NOTE:

Always check luminaire label for correct supply details and lamp type if applicable. If dimming is required, four (4) wires must be run. For RGB installations, six (6) supply wires must be run to the luminaire. Refer to the Wiring Guide table for dimming and number of wires.

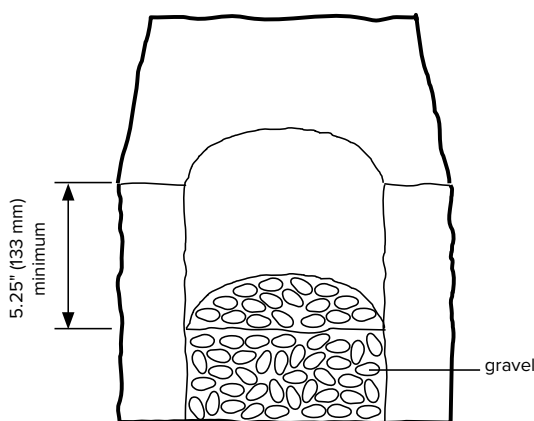
Step 2

To install luminaire in existing material:

- Cast or core drill void to accommodate the luminaire.
- Ensure a neat hole is achieved.
- Ensure gravel or similar material forms the bottom of the cavity to allow for drainage.

NOTE:

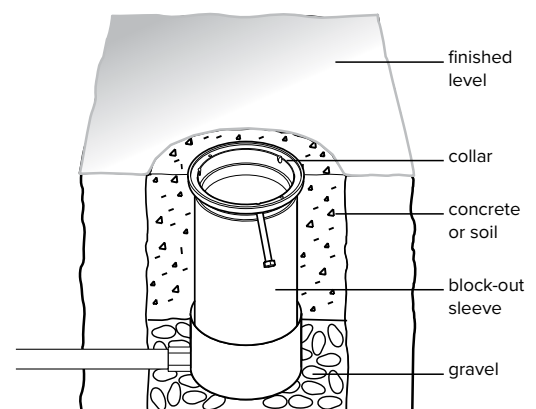
Ensure that suitable connection access is available. Luminaire is supplied with 1' (0.3 m) hook-up wire. Electrical conduit used as per NEC.



Step 3

To install luminaire for concrete pour:

- Cut concrete blockout sleeve if necessary (minimum overall length is 5.25"/133 mm).
- Place the collar and sleeve on the gravel bed.
- Ensure the orientation is as desired.
- Ensure the top surface of the collar is flush with the finished floor level.
- Pour concrete. Check that the top surface of the collar is flush with the finished floor level.

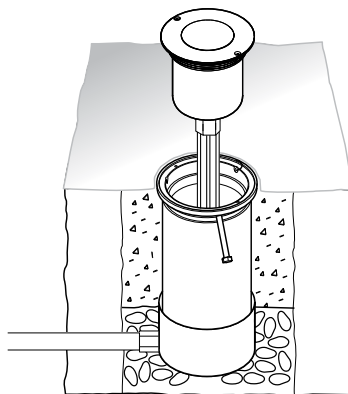


NOTE: Generally 24 Vdc ripple-free power supplies should be installed in a well-ventilated, fully undercover environment. DC power supplies are more efficient than AC transformers. Under no circumstances can an 'electronic' transformer be used as this may damage the product.

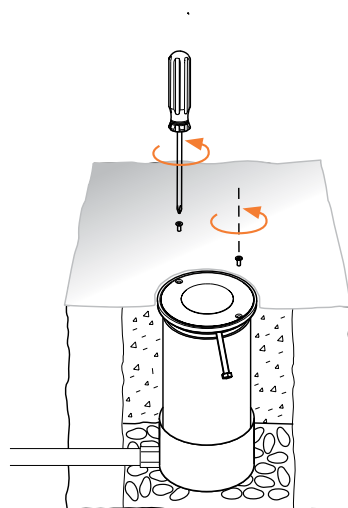
Products and specifications are subject to change without notice.

Installation Instructions (cont;d)

- Step 4** Feed cable from luminaire into the conduit and back to the supply location. Ensure sufficient cable is coiled into the block-out sleeve to allow the luminaire to be removed for future maintenance.



- Step 5** Fit the luminaire into the collar. Ensure that the holes in the luminaire align with the holes in the collar. Use the screws provided to fasten the luminaire into place. Tighten firmly.



**Power supply must be isolated prior to connection or disconnection of cables.
Failure to do so will result in damage to the luminaire components.**

Products and specifications are subject to change without notice.