



A compact, high-performance linear grazer luminaire combining technology and performance in a stylish design. Packed with features such as **EasyGlow™** to provide visual comfort. High-performance optics provide superb color-over-angle even in the most challenging of grazing applications. Available with integrated Dali control, 0-10 V dimming or as non-dimmable.

Performance

Static White & Color ¹	Lumen Output (lm)	Efficacy (lm/W)	Peak Intensity (cd)
● 2,700 K (80 CRI)	4,080	92	137,000
● 3,000 K (80 CRI)	4,450	100	149,200
○ 3,500 K (80 CRI)	4,630	104	155,300
● 4,000 K (80 CRI)	4,810	108	161,400
● 5,000 K (70 CRI)	4,450	100	149,200

¹ Lumen output values are based on 12 W/ft, 4 ft luminaire with 6° lens

Beam Angles	6°, 10°, 15°, 30°, 45°, 60°, 10° x 40°, 20° x 40°, 10° x 60°, 20° x 60°, 100°
--------------------	---



Electrical

LED Power	10 W/ft
Power Consumption	27 W (2 ft), 35 W (3 ft), 46 W (4 ft) (12 W/ft Nominal)
Lifetime (L70)	> 60,000 hrs (B10, L70, TM21)
Input Voltage	International 220-240 Vac, 50 Hz North America 120/277 Vac, 60 Hz
Earth Leakage	0.7 mA @ 240 V (CE)

Control

Protocols	Dali 2 ¹ , 0-10 V ² , Non-Dimmable
------------------	--

¹ Available in International Market Only

² Available in North American Market Only

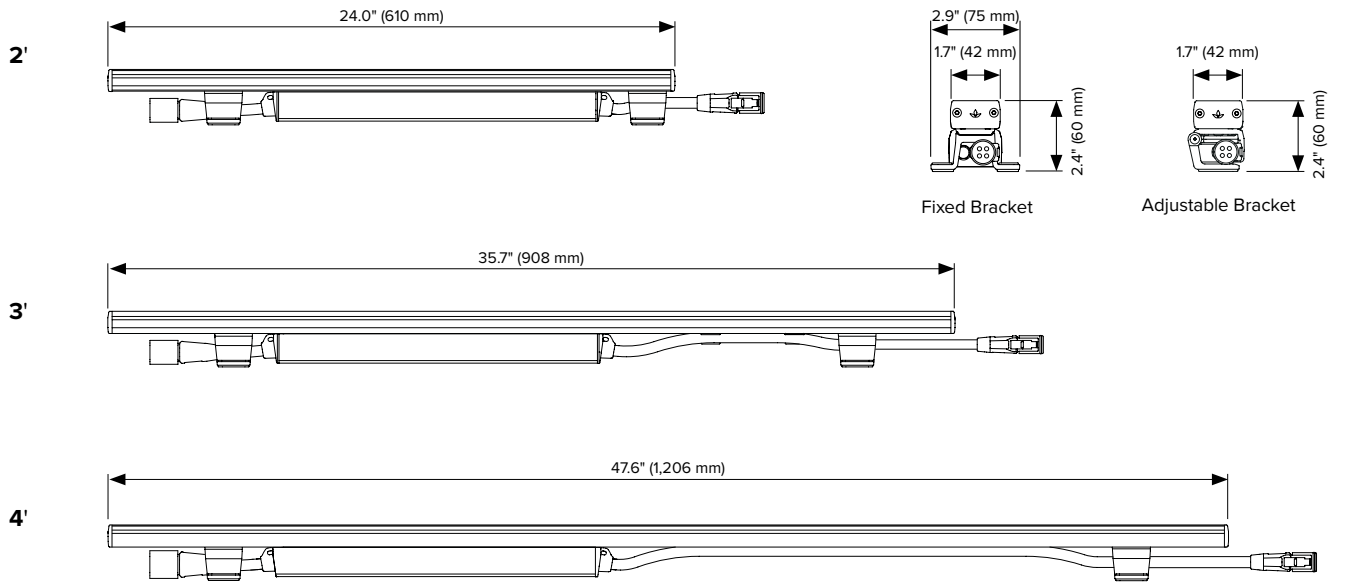
Physical

Housing	Marine-grade extruded aluminum with tempered glass lens
Finish	Superior 9-step powder-coating process, including marine-grade epoxy undercoat and polyester top coat
Installation	Surface-mounted with included galvanic isolator
Adjustable	Multi-positional, reversible constant torque locking brackets
Ambient Operating Temperature	-40 °F to 122 °F (-40 °C to 50 °C)
Surface Temperature	≤122 °F (50 °C)
Weight	6.2 lbs (2.8 kg) for 4 ft section
Effective Projected Area	0.6 ft ² (0.05 m ²) for 4 ft section

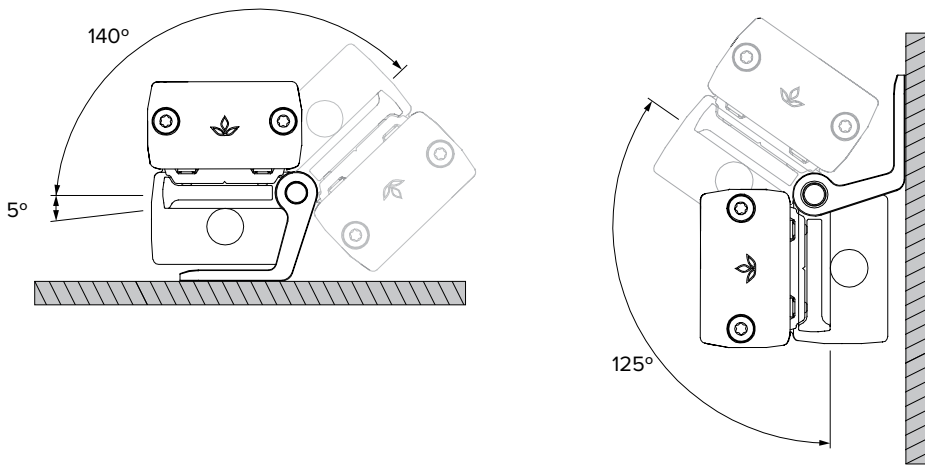
Certification & Compliance

IP Rating	IP66 / IP67 (Passes IP68 Test)
IK Rating	IK6
Vibration Resistance	3G Rating (ANSI C136.31)
Environment	Dry, Damp, Wet locations
Certifications	ETL, CE, RCM

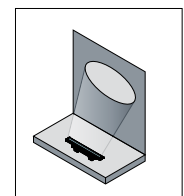
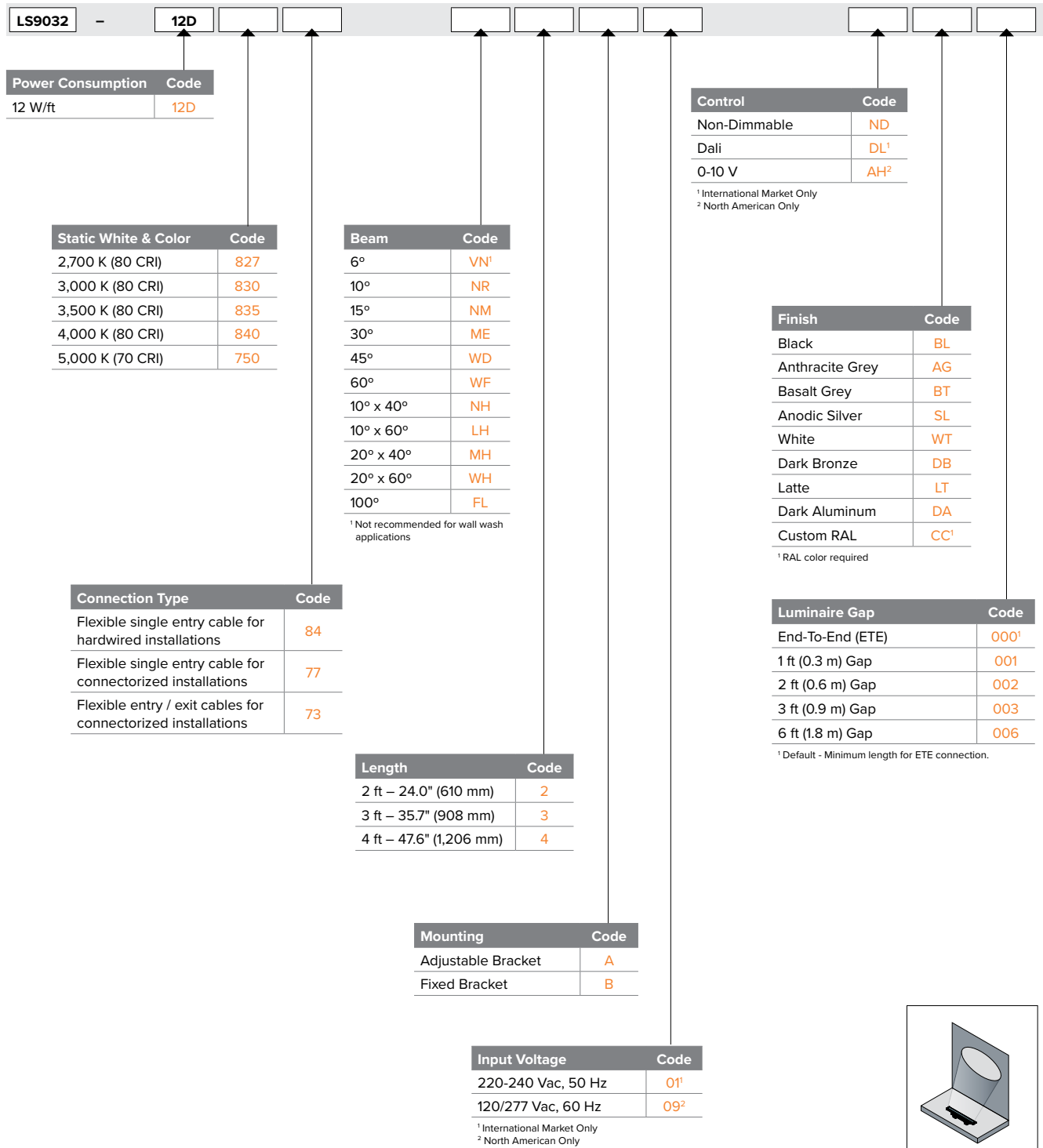
Dimensions



Luminaire Rotation



Specification Matrix



Beam Orientation for the "NH", "MH" and "WH" optical system

Accessories

Shielding & Glare Control

A variety of shielding and glare control options are available for the Linealux L3 Foundation Series. Glare control accessories are available in 2 ft, 3 ft and 4 ft length options to suit base luminaires.

External / Slatted Louvre

LS6237 - []

Visor Length	Code
2 ft	2
3 ft	3
4 ft	4



External Shield / Visor 1-sided

LS6238 - [] - []

Visor Length	Code	Finish	Code
2 ft	2	Black	BL
3 ft	3	Anthracite Grey	AG
4 ft	4	Basalt Grey	BT
		Anodic Silver	SL
		White	WT
		Dark Bronze	DB
		Latte	LT
		Dark Aluminum	DA
		Custom RAL	CC ¹

¹ RAL color required



External Shield / Visor 3-sided

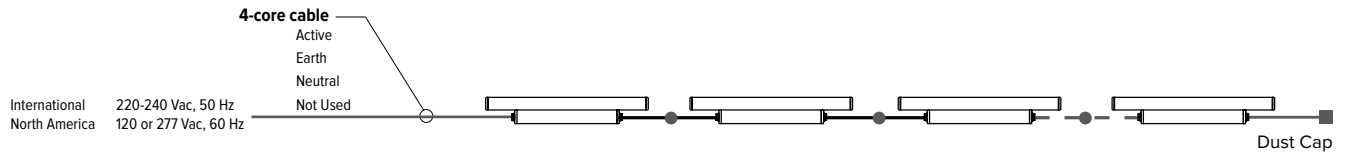
LS6239 - [] - []

Visor Length	Code	Finish	Code
2 ft	2	Black	BL
3 ft	3	Anthracite Grey	AG
4 ft	4	Basalt Grey	BT
		Anodic Silver	SL
		White	WT
		Dark Bronze	DB
		Latte	LT
		Dark Aluminum	DA
		Custom RAL	CC ¹

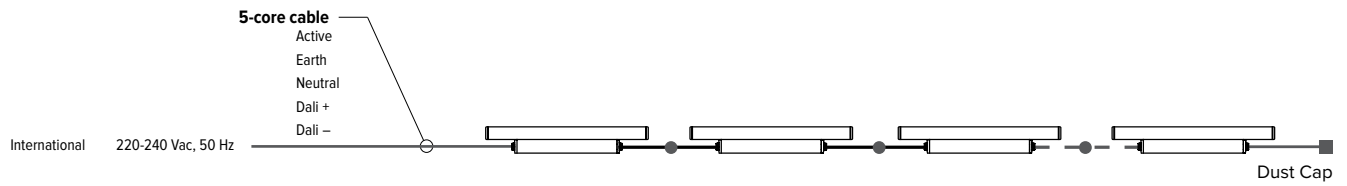
¹ RAL color required



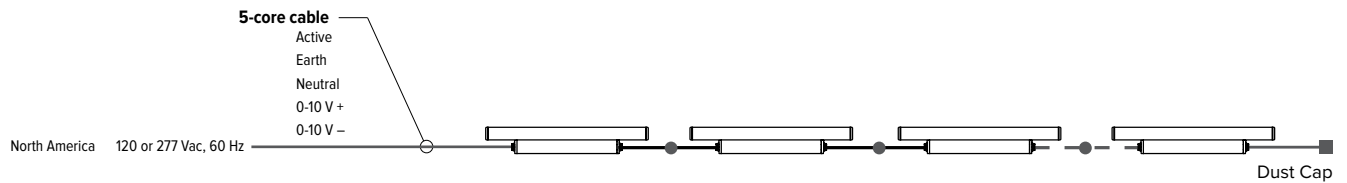
Network Topology – Non-Dimmable



Network Topology – DALI



Network Topology – 0-10 V



Note:


For all fixture wire colors and designations see page 9.

Connectorized Accessories

Leader Cables

Line Voltage (For Connection Type 73 or 77 Only) – International

For use in CE installations. Compatible with Type 73 or 77 connectorized supply cable options. Supplied fitted with an IP68 connector for pairing with the first connectorized luminaire in a line voltage circuit. Comes complete with a matching end of circuit, line voltage terminator plug.



Cable Type	Code
1.5 mm ²	LS6402C
2.5 mm ² (4-core only)	LS6402C-2.5


Control Type	Code
Non-Dimmable (4-core cable)	ND
DALI (5-core cable)	DL ¹

Length	Code
3 m / 10 ft	010
10 m / 33 ft	032
15 m / 50 ft	050

¹ Available in 1.5 mm² cable only

Line Voltage (For Connection Type 73 or 77 Only) – North America

For use in UL installations. Compatible with Type 73 or 77 connectorized supply cable options. Supplied fitted with an IP68 connector for pairing with the first connectorized luminaire in a line voltage circuit. Comes complete with a matching end of circuit, line voltage terminator plug.



Cable Type	Code
14 AWG (1.5 mm ²)	LS6402U

Control Type	Code
Non-Dimmable (4-core cable)	ND
0-10 V (5-core cable)	AH

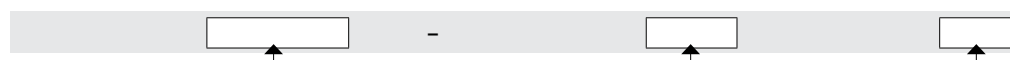
Length	Code
3 m / 10 ft	010
10 m / 33 ft	032
15 m / 50 ft	050

Connectorized Accessories

Jumper Cables

Line Voltage (For Connection Type 73 or 77 Only) – International

For use in CE installations. Compatible with all luminaires with Type 73 or 77 connectorized supply cable options.

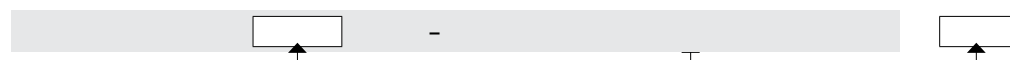


Cable Type	Code	Control Type	Code	Length	Code
1.5 mm ²	LS6404C	Non-Dimmable (4-core cable)	ND	0.3 m / 1 ft	001
2.5 mm ² (4-core only)	LS6404C-2.5	DALI (5-core cable)	DL ¹	0.6 m / 2 ft	002
				1 m / 3 ft	003
				1.2 m / 4 ft	004
				2 m / 6 ft	006
				3 m / 10 ft	010
				5 m / 16 ft	016
				8 m / 26 ft	026
				10 m / 33 ft	032
				15 m / 50 ft	050

¹ Available in 1.5 mm² cable only

Line Voltage (For Connection Type 73 or 77 Only) – North America

For use in UL installations. Compatible with all luminaires with Type 73 or 77 connectorized supply cable options. Supplied fitted with an IP68 connector for pairing with the first connectorized luminaire in a line voltage circuit.

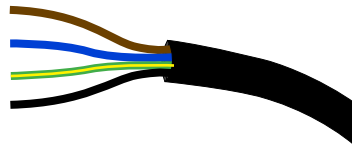


Cable Type	Code	Control Type	Code	Length	Code
14 AWG (1.5 mm ²)	LS6404U	Non-Dimmable (4-core cable)	ND	1 ft / 0.3 m	001
		0-10 V (5-core cable)	AH ¹	2 ft / 0.6 m	002
				3 ft / 1 m	003
				4 ft / 1.2 m	004
				6 ft / 2 m	006
				10 ft / 3 m	010
				16 ft / 5 m	016
				26 ft / 8 m	026
				33 ft / 10 m	032
				50 ft / 15 m	050

Fixture Wire Colors & Designations

Non-Dimmable – International

Designation	Color
Active	Brown
Neutral	Blue
Earth	Green / Yellow
Not used	Black



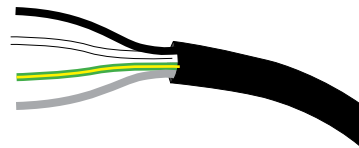
DALI – International

Designation	Color
Active	Brown
Neutral	Blue
Earth	Green / Yellow
DALI +	Grey
DALI -	Black



Non-Dimmable – North America

Designation	Color
Active	Black
Neutral	White
Earth	Green / Yellow
Not used	Grey or Red



0-10 V – North America

Designation	Color
Active	Black
Neutral	White
Earth	Green / Yellow
0-10 V +	Purple
0-10 -	Grey

