



The most compact and versatile, remote driver surface mounted luminaire in its class, featuring a light output and energy efficiency surpassing 35 W Metal Halide. Packed with features including **EasyGlow™** visual comfort and **CoolDrive™** thermal management technologies. Unique and flexible mounting with glare control accessories enable installation in multiple orientations including two axes of adjustment making it ideal for direct or indirect applications. Available with integrated Dali control, 0-10 V dimming or as non-dimming.

Performance

Static White & Color ¹	Lumen Output (lm)	Efficacy (lm/W)	Peak Intensity (cd)
● 2,700 K (80 CRI)	2,080	89	45,400
● 3,000 K (80 CRI)	2,270	97	49,400
○ 3,500 K (80 CRI)	2,360	101	51,400
● 4,000 K (80 CRI)	2,450	105	53,400
● 5,000 K (70 CRI)	2,270	97	49,400

¹ Lumen output values are based on a 10° lens.

Beam Angles	10°, 13°, 20°, 26°, 47°, 10° x 40° 40° x 10°, 20° x 60°, 60° x 20°
--------------------	--



Electrical

LED Power	22 W
Power Consumption	24 W
Lifetime (L70)	>60,000hrs (B10, L70, TM21)
Input Voltage	International 220-240 Vac, 50 Hz North America 120/277 Vac, 60 Hz
Earth Leakage	0.16 mA @ 240 V (CE)
Thermal Management	CoolDrive™ onboard thermal monitoring and control.

Control

Protocols	Dali 2 ¹ , 0-10 V ² , Non-Dimmable
------------------	--

¹ International Market Only

² North American Market Only

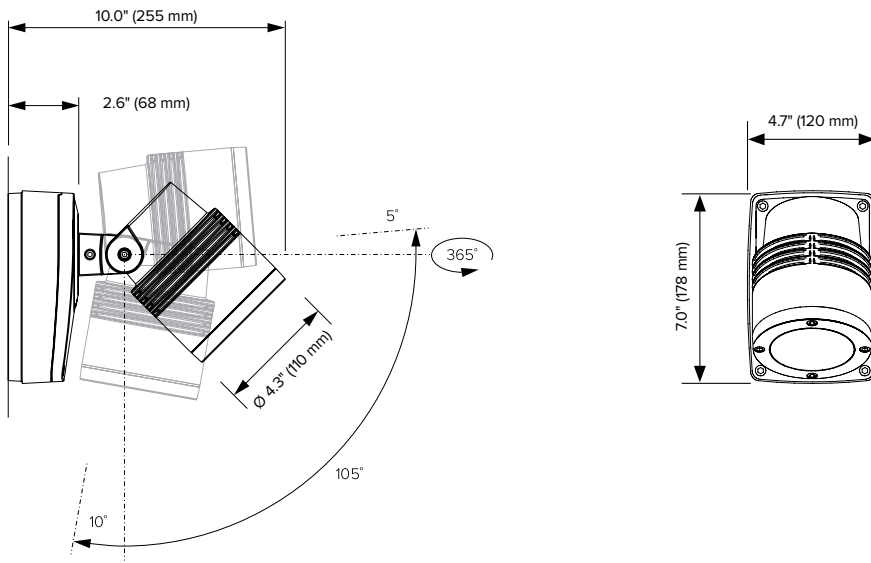
Physical

Housing	Die-cast marine grade aluminum with tempered glass lens
Finish	Superior 9-step powdercoating process, including marine-grade epoxy undercoat and polyester top coat
Installation	Surface-mounted
Adjustable	Constant torque adjustable luminaire head
Ambient Operating Temperature	-40 °F to 122 °F (-40 °C to 50 °C)
Surface Temperature	≤138 °F (59 °C)
Weight	4.5 lbs (2.0 kg)
Effective Projected Area	1.1 ft ² (0.1 m ²)

Certification & Compliance

IP Rating	IP66 / IP67 (Passes IP68 Test)
IK Rating	IK7
Environment	Dry, Damp, Wet locations
Certifications	ETL, CE, RCM

Dimensions



Specification Matrix

LS1012	-	24D						
---------------	---	------------	--	--	--	--	--	--

Power Consumption	Code
24 W	24D

Static White & Colour	Code
2,700 K (80 CRI)	827
3,000 K (80 CRI)	830
3,500 K (80 CRI)	835
4,000 K (80 CRI)	840
5,000 K (70 CRI)	750

Beam Angle	Code
10°	VN
13°	NR
20°	NM
26°	ME
47°	WD
10° x 40°	NH
40° x 10°	NV
20° x 60°	WH
60° x 20°	WV

Input Voltage	Code
220-240 Vac, 50 Hz	01 ¹
120/277 Vac, 60 Hz	09 ²

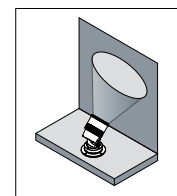
¹ International Market Only
² North American Market Only

Control	Code
Non-Dimmable	ND
Dali	DL ¹
0-10 V	AH ²

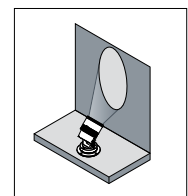
¹ International Market Only
² North American Market Only

Finish	Code
Black	BL
Anthracite Grey	AG
Basalt Grey	BT
Anodic Silver	SL
White	WT
Dark Bronze	DB
Latte	LT
Dark Aluminum	DA
Custom RAL	CC ¹

¹ Please provide RAL colour.



Beam Orientation for the "NH" and "WH" optical system



Beam Orientation for the "NV" and "WV" optical system

Accessories

Shielding & Glare Control

An external glare control accessory suitable for use on the Centria series of luminaires.



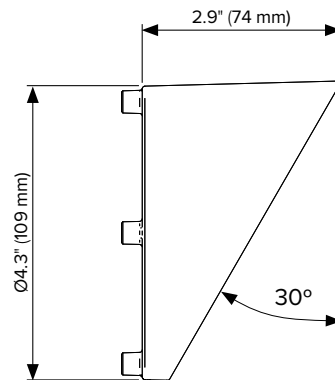
Specification Matrix

LS6104 -

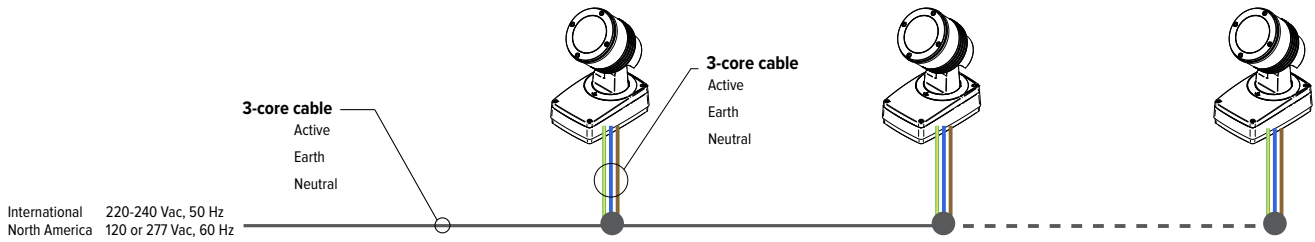
Finish	Code
Black	BL
Anthracite Grey	AG
Basalt Grey	BT
Anodic Silver	SL
White	WT
Dark Bronze	DB
Latte	LT
Dark Aluminum	DA
Custom RAL	CC ¹

¹ Please provide RAL colour.

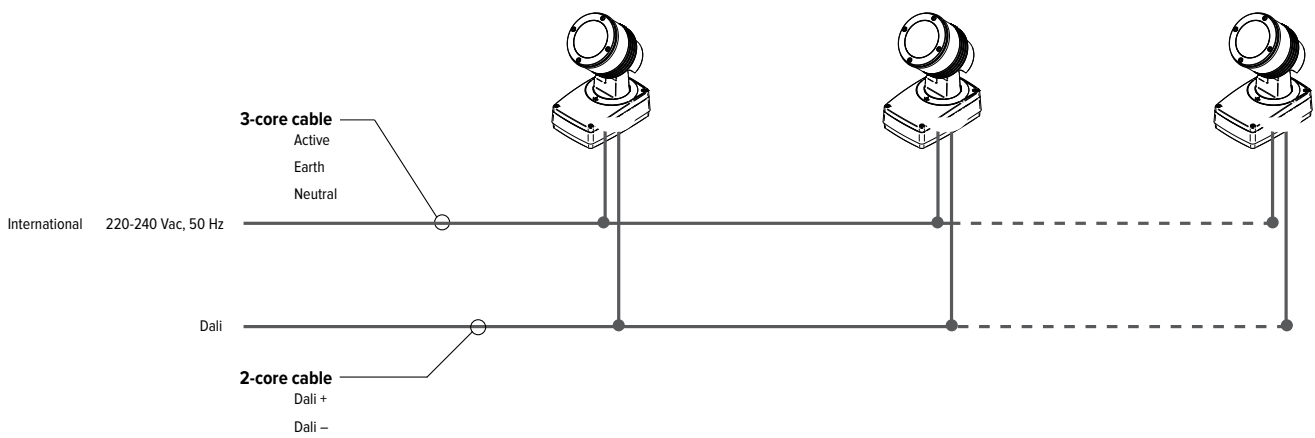
Technical Drawings



Network Topology – Non-Dimmable



Network Topology – DALI



Network Topology – 0-10 V

