



The most compact and versatile, remote driver surface mounted luminaire in its class, featuring a light output and energy efficiency surpassing 35 W Metal Halide. Packed with features including **EasyGlow™** visual comfort and **CoolDrive™** thermal management technologies. Unique, flexible mounting and glare control accessories enable installation in multiple orientations. Available with a concrete anchor, the height of the luminaire allows the light head to stand above vegetation for an unobstructed cast of light. Available with integrated Dali control, 0-10 V dimming or as non-dimmable.

Performance

Static White & Color <sup>1</sup>	Lumen Output (lm)	Efficacy (lm/W)	Peak Intensity (cd)
● 2,700 K (80 CRI)	2,080	89	45,400
● 3,000 K (80 CRI)	2,270	97	49,400
○ 3,500 K (80 CRI)	2,360	101	51,400
● 4,000 K (80 CRI)	2,450	105	53,400
● 5,000 K (70 CRI)	2,270	97	49,400

<sup>1</sup> Lumen output values are based on a 10° lens.

<b>Beam Angles</b>	10°, 13°, 20°, 26°, 47°, 10° x 40° 40° x 10°, 20° x 60°, 60° x 20°
--------------------	--



Electrical

<b>LED Power</b>	22 W
<b>Power Consumption</b>	24 W
<b>Lifetime (L70)</b>	>60,000hrs (B10, L70, TM21)
<b>Input Voltage</b>	International 220-240 Vac, 50 Hz North America 120/277 Vac, 60 Hz
<b>Earth Leakage</b>	0.16 mA @ 240 V (CE)
<b>Thermal Management</b>	<b>CoolDrive™</b> onboard thermal monitoring and control.

Control

<b>Protocols</b>	Dali 2 <sup>1</sup> , 0-10 V <sup>2</sup> , Non-Dimmable
------------------	--

<sup>1</sup> International Market Only

<sup>2</sup> North American Market Only

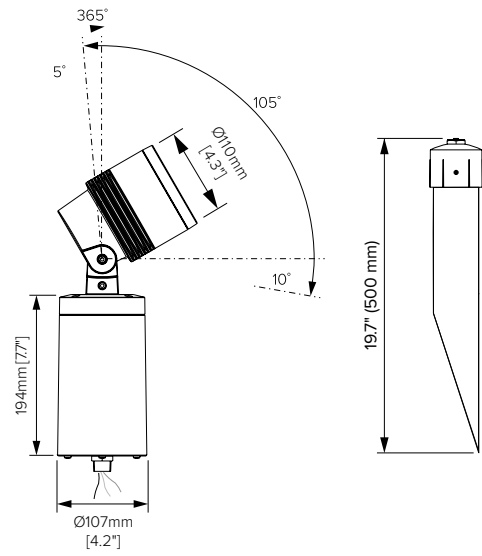
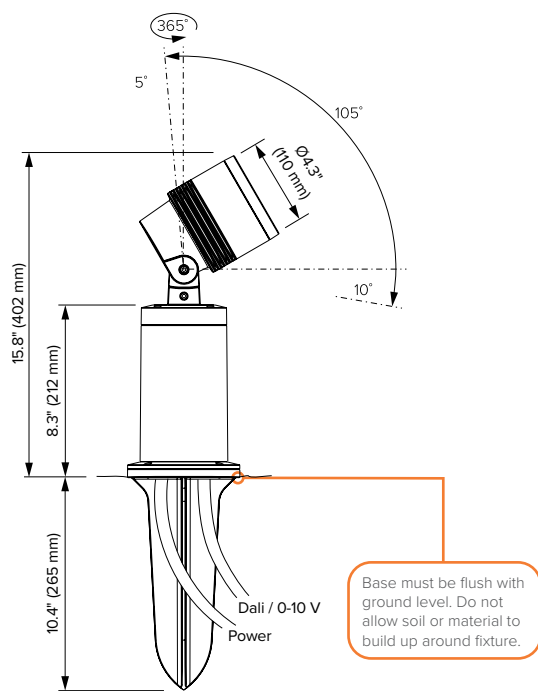
Physical

<b>Housing</b>	Die-cast marine grade aluminum with tempered glass lens
<b>Finish</b>	Superior 9-step powdercoating process, including marine-grade epoxy undercoat and polyester top coat
<b>Installation</b>	Surface-mounted
<b>Adjustable</b>	Constant torque adjustable luminaire head
<b>Ambient Operating Temperature</b>	-40 °F to 122 °F (-40 °C to 50 °C)
<b>Surface Temperature</b>	≤138 °F (59 °C)
<b>Weight</b>	4.5 lbs (2.0 kg)
<b>Effective Projected Area</b>	1.1 ft <sup>2</sup> (0.1 m <sup>2</sup> )

Certification & Compliance

<b>IP Rating</b>	IP66 / IP67 (Passes IP68 Test)
<b>IK Rating</b>	IK7
<b>Environment</b>	Dry, Damp, Wet locations
<b>Certifications</b>	ETL, CE, RCM

Dimensions



UL Option

Specification Matrix

<b>LS2012</b>	-	<b>24D</b>						
---------------	---	------------	--	--	--	--	--	--

Power Consumption	Code
24 W	24D

Static White & Colour	Code
2,700 K (80 CRI)	827
3,000 K (80 CRI)	830
3,500 K (80 CRI)	835
4,000 K (80 CRI)	840
5,000 K (70 CRI)	750

Beam Angle	Code
10°	VN
13°	NR
20°	NM
26°	ME
47°	WD
10° x 40°	NH
40° x 10°	NV
20° x 60°	WH
60° x 20°	WV

Input Voltage	Code
220-240 Vac, 50 Hz	01 <sup>1</sup>
120/277 Vac, 60 Hz	09 <sup>2</sup>

<sup>1</sup> International Market Only  
<sup>2</sup> North American Market Only

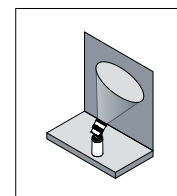
Control	Code
Non-Dimmable	ND
Dali	DL <sup>1</sup>
0-10 V	AH <sup>2</sup>

<sup>1</sup> International Market Only  
<sup>2</sup> North American Market Only

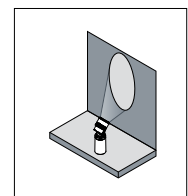
  

Finish	Code
Black	BL
Anthracite Grey	AG
Basalt Grey	BT
Anodic Silver	SL
White	WT
Dark Bronze	DB
Latte	LT
Dark Aluminum	DA
Custom RAL	CC <sup>1</sup>

<sup>1</sup>Please provide RAL colour.



Beam Orientation for the "NH" and "WH" optical system



Beam Orientation for the "NV" and "WV" optical system

Accessories

**Shielding & Glare Control**

An external glare control accessory suitable for use on the Centria series of luminaires.



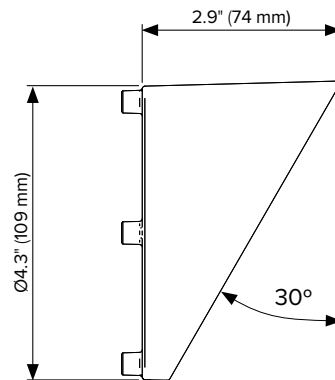
Specification Matrix

LS6104 -

Finish	Code
Black	BL
Anthracite Grey	AG
Basalt Grey	BT
Anodic Silver	SL
White	WT
Dark Bronze	DB
Latte	LT
Dark Aluminum	DA
Custom RAL	CC <sup>1</sup>

<sup>1</sup> Please provide RAL colour.

Technical Drawings



Accessories

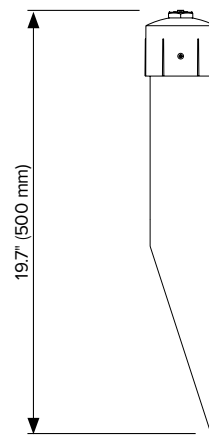
**Mounting Spike / Concrete Anchor – North American Market Only**  
 Suitable for use with ground mount luminaires (order separately).



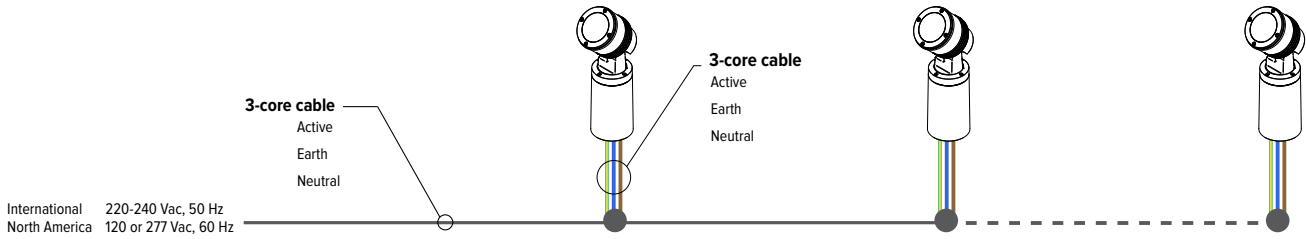
Specification Matrix

LS6054	
<b>Product</b>	<b>Code</b>
Mounting Spike/Concrete Anchor	LS6054

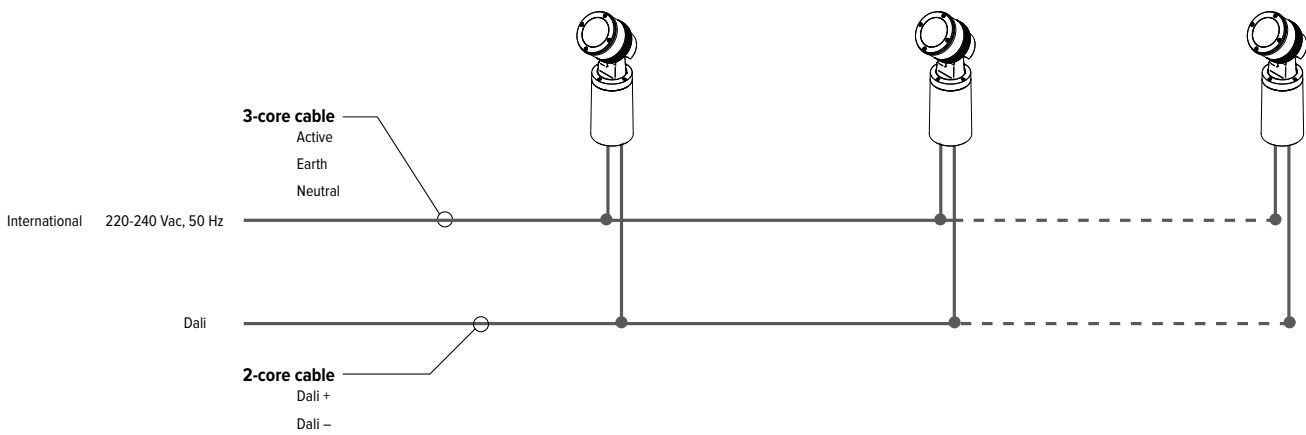
Technical Drawings



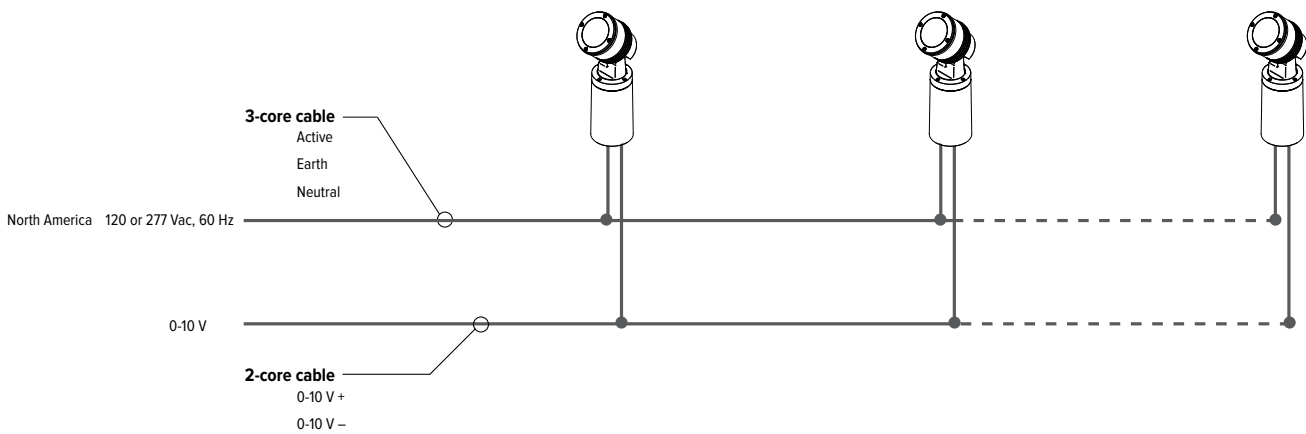
**Network Topology – Non-Dimmable**



**Network Topology – DALI**



**Network Topology – 0-10 V**

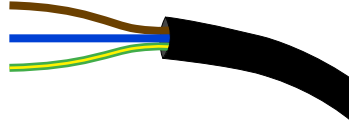


**Note:**  
For all fixture wire colors and designations see page 8.

Fixture Wire Colors & Designations

**Non-Dimmable – International**

Designation	Color
Active	Brown
Neutral	Blue
Earth	Green / Yellow



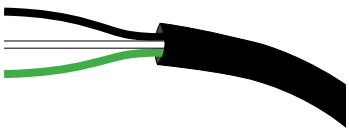
**DALI – International**

Designation	Color
Active	Brown
Neutral	Blue
Earth	Green / Yellow
DALI +	Grey
DALI -	Black



**Non-Dimmable – North America**

Designation	Color
Active	Black
Neutral	White
Earth	Green



**0-10 V – North America**

Designation	Color
Active	Black
Neutral	White
Earth	Green / Yellow
0-10 V +	Purple
0-10 V -	Grey

