



The Nero NE2 uses next-generation “chip on board” technology to delivery powerful illumination and high-energy efficiency. The LED’s are an excellent light source for swimming pools, given the very high lumen density and wider light distribution angles, illuminating the pool completely. This wider fill of light improves both safety and aesthetics. Available to order with either 0° or 15° tilt.

Performance

Static White & Color <sup>1</sup>	Lumen Output (lm)	Efficacy (lm/W)	Peak Intensity (cd)
● 3,000 K (80 CRI)	1,080	76	2,000
● 4,000 K (80 CRI)	1,080	76	2,000

<sup>1</sup> Lumen output values are based on a 15 W luminaire with 40° lens.

Beam Angles	40°, 60°, 65° x 45°, 75° x 75°
-------------	--------------------------------



Products and specifications are subject to change without notice.  
LS333ANS2COB-220901

### Electrical

<b>Power Consumption</b>	15 W
<b>Lifetime</b>	>60,000 hrs (B10, L70, TM21)
<b>Input Voltage</b>	Low Voltage      30 Vdc
<b>Underwater Cable<sup>1</sup></b>	Supplied with 2 x 18 AWG (0.85 mm <sup>2</sup> ) for single color non-dimmable or 4 x 18 AWG (0.85 mm <sup>2</sup> ) for single color dimming.

<sup>1</sup> For custom lengths contact Lumascape as cable cannot be field installed.

### Control

<b>Protocols<sup>1</sup></b>	PWM
<b>PWM Frequency</b>	Flicker-free dimming to 0.1%
<b>Systems</b>	Range of third-party controllers

<sup>1</sup> Some protocols require additional hardware. For more information and other available protocols contact Lumascape.

### Physical

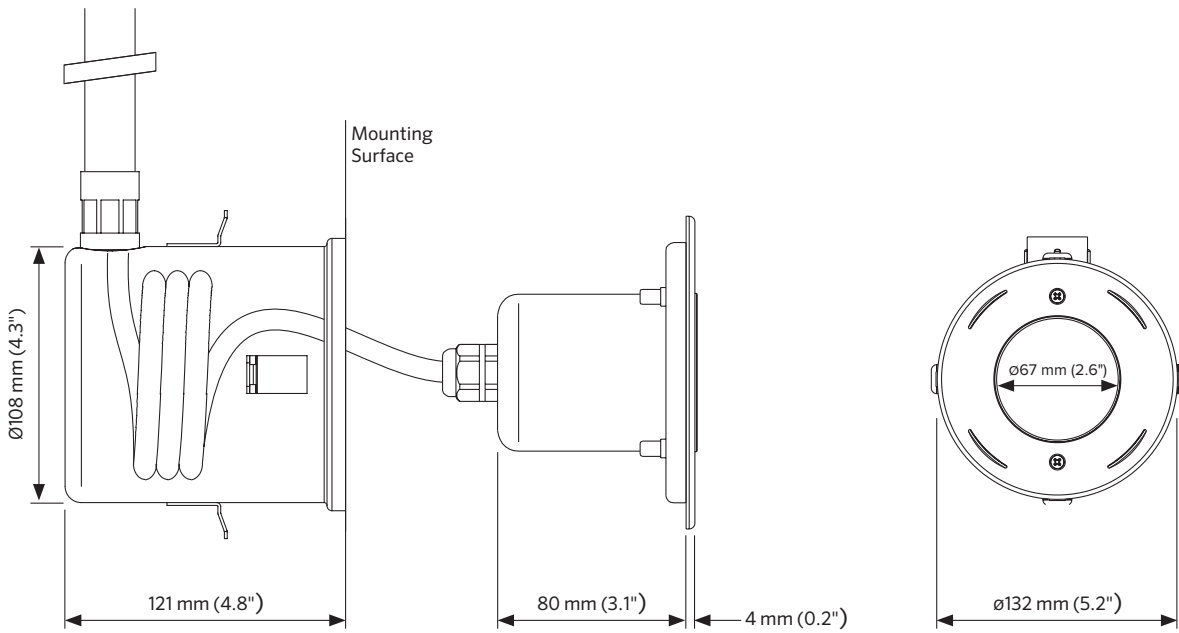
<b>Housing</b>	Marine-grade 316 stainless steel with tempered OptiClear glass lens and teflon-coated cover screws
<b>Installation</b>	Pre-installation niche included
<b>Aiming Options</b>	Fixed 0° or 15° tilt
<b>Water Temperature Rating</b>	-40°F to 86°F (-40°C to 30°C)
<b>Surface Temperature</b>	≤ 149°F (65°C)
<b>Weight</b>	3.5 lbs (1.6 kg)

### Certification & Compliance

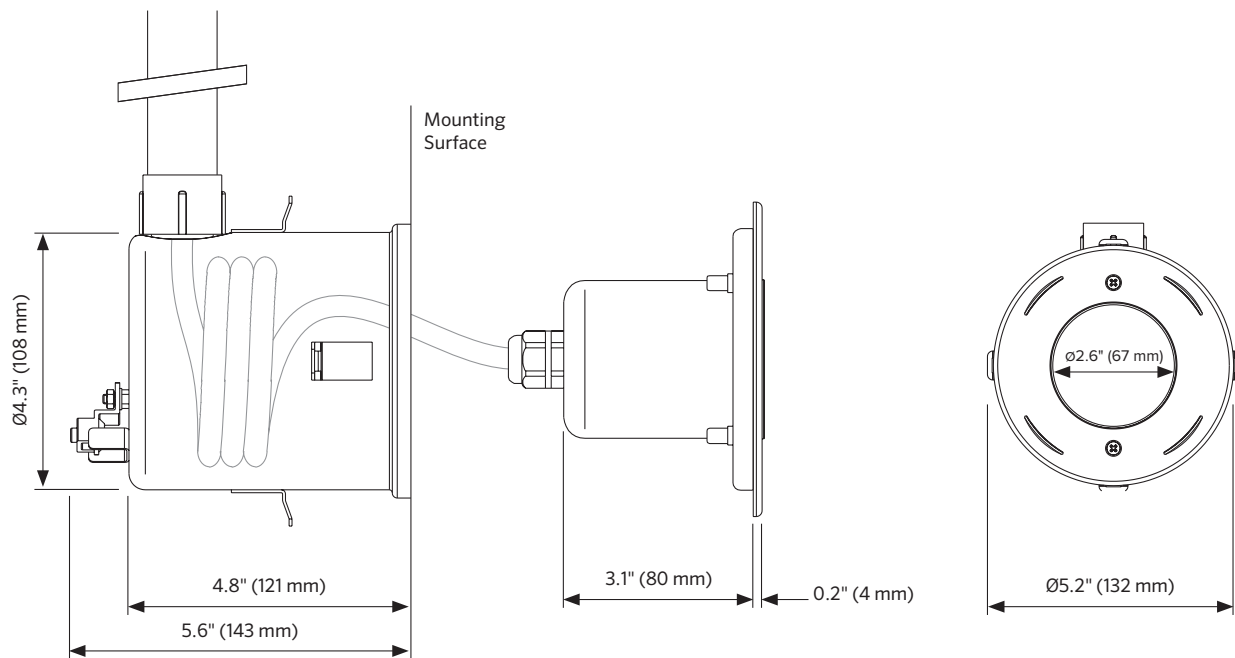
<b>IP Rating</b>	IP68 to 6' (2 m)
<b>IK Rating</b>	IK10
<b>Environment</b>	Swimming pools, spas and fountains
<b>Certifications</b>	ETL, CE, RCM (UL 676:20015 Ed:9)

Dimensions

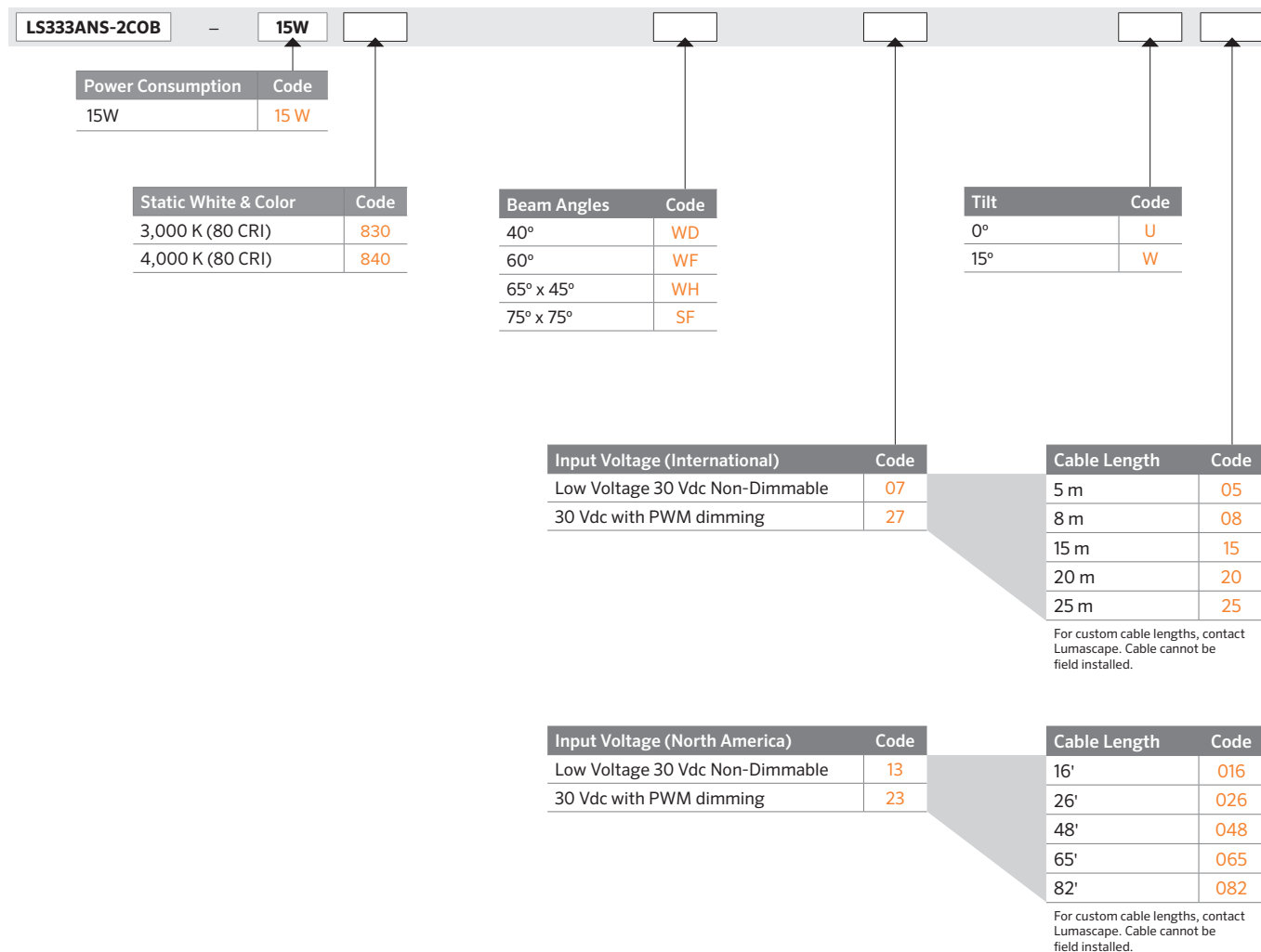
International market configuration



North American market configuration



Specification Matrix

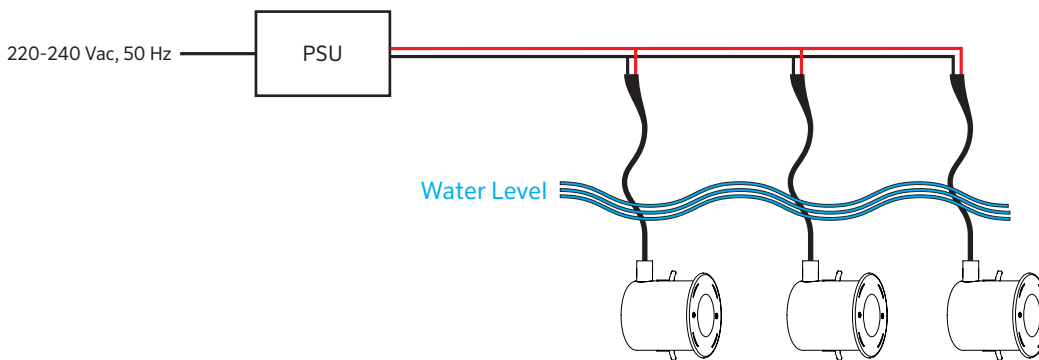


Maximum Circuit Load

QTY of LS333ANS-2COB per 30 Vdc Power Supplies								
Input Voltage	220-240 Vac, 50 Hz							
Output Voltage	30 Vdc							
PSU Wattage (W)	40	80	100	120	240	320	480	600
LS333ANS-2COB	1	3	4	5	10	13	20	25

Compatibility with each transformer or power supply is indicated by the value shown in the table above and represents the maximum number of luminaires that may be powered from each transformer or power supply. Does not take into consideration, voltage drop or ampacity limits of the branch circuit. Dimming circuit total wire length must be kept under 328' (100 m). For assistance, contact Lumascape.

Network Topology – Static Color Non-Dimmable

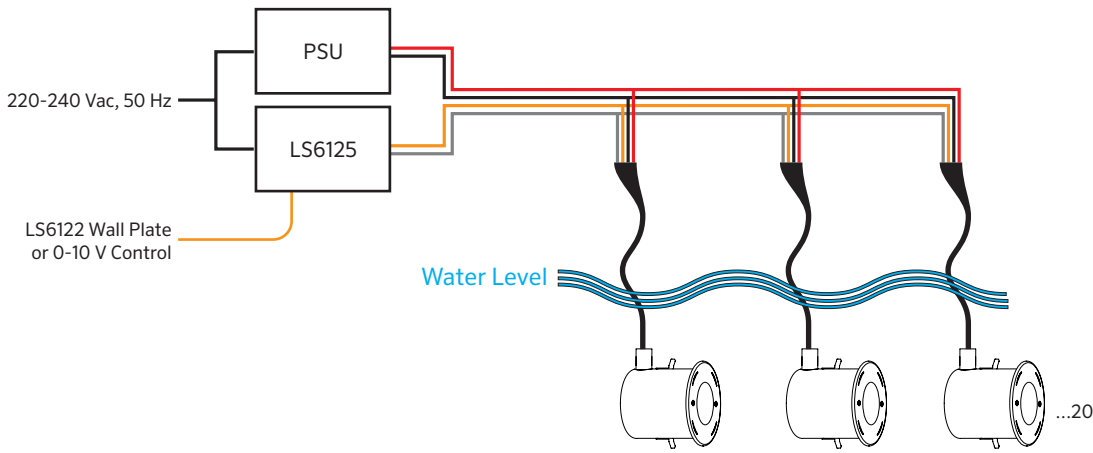


Luminaires per run under the following conditions:

- All luminaires are controlled together
- 30 Vdc power supply is required
- Power supply is via 2-core cable
- Refer to "Maximum Circuit Load" table for circuit limitations
- All Connections MUST be made above water level
- Always observe local electrical codes for branch circuit current limitations

INTERNATIONAL

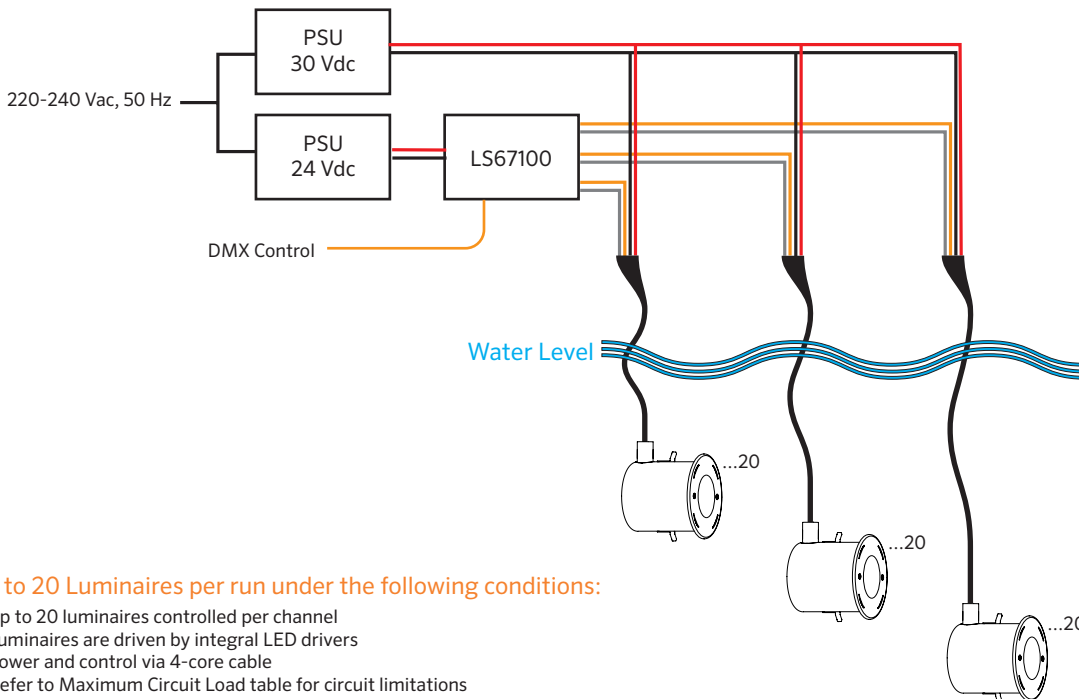
Network Topology – Static Color (0-10 V) Single Channel



Up to 20 Luminaires per run under the following conditions:

- All luminaires are controlled together
- Up to 20 luminaires controlled per LS6125
- 30 Vdc power supply is required
- Power and control via 4-core cable
- Refer to “Maximum Circuit Load” table for circuit limitations
- All Connections MUST be made above water level
- Always observe local electrical codes for branch circuit current limitations

Network Topology – Static Color (DMX) 3 Channels



Up to 20 Luminaires per run under the following conditions:

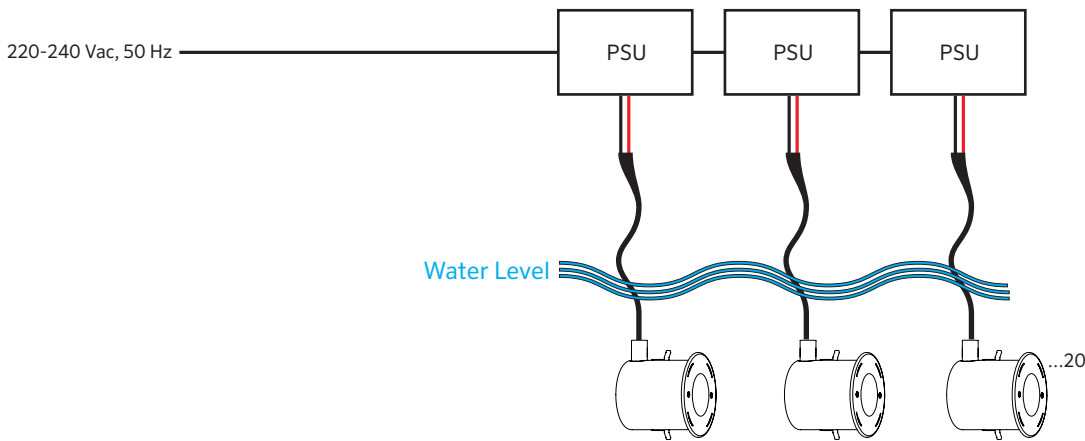
- Up to 20 luminaires controlled per channel
- Luminaires are driven by integral LED drivers
- Power and control via 4-core cable
- Refer to Maximum Circuit Load table for circuit limitations
- All connections MUST be made above water level
- Always observe local electrical codes for branch circuit current limitations

Maximum Circuit Load

QTY of LS333ANS-2COB per 30 Vdc Power Supplies	
Input Voltage	220-240 Vac, 50 Hz
Output Voltage	30 Vdc
PSU Wattage (W)	40
LS333ANS-2COB	1

Compatibility with each transformer or power supply is indicated by the value shown in the table above and represents the maximum number of luminaires that may be powered from each transformer or power supply. Does not take into consideration, voltage drop or ampacity limits of the branch circuit. Dimming circuit total wire length must be kept under 328' (100 m). For assistance, contact Lumascape.

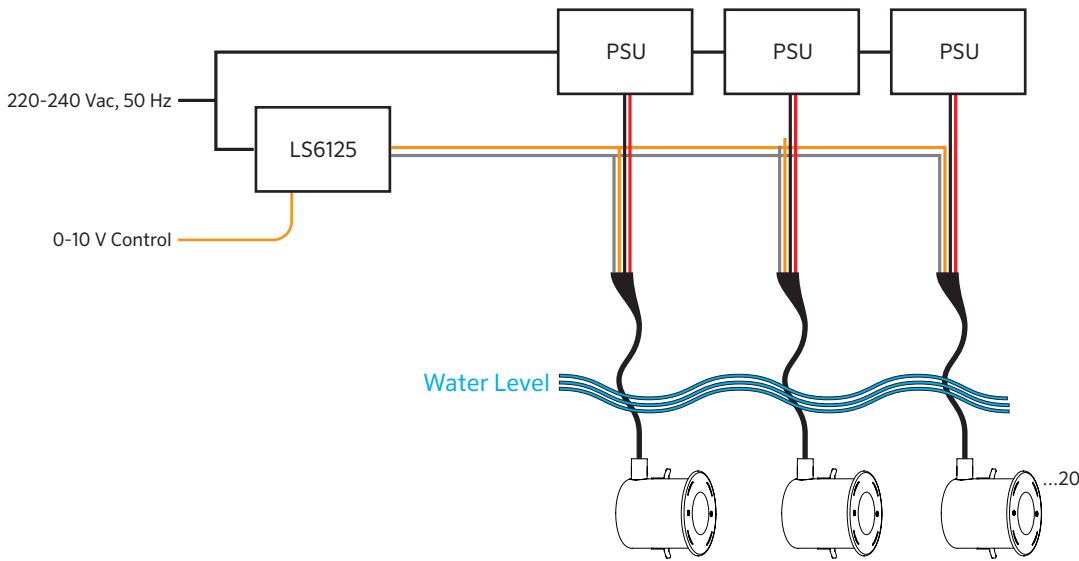
Network Topology – Static Color Non-Dimmable



Up to 20 Luminaires per run under the following conditions:

- Individual 30 Vdc power supplies are required
- Power supply is via 2-core cable
- Refer to “Maximum Circuit Load” table for circuit limitations
- Suitable for installation into swimming pools in Australia
- All Connections MUST be made above water level
- Always observe local electrical codes rules and regulations

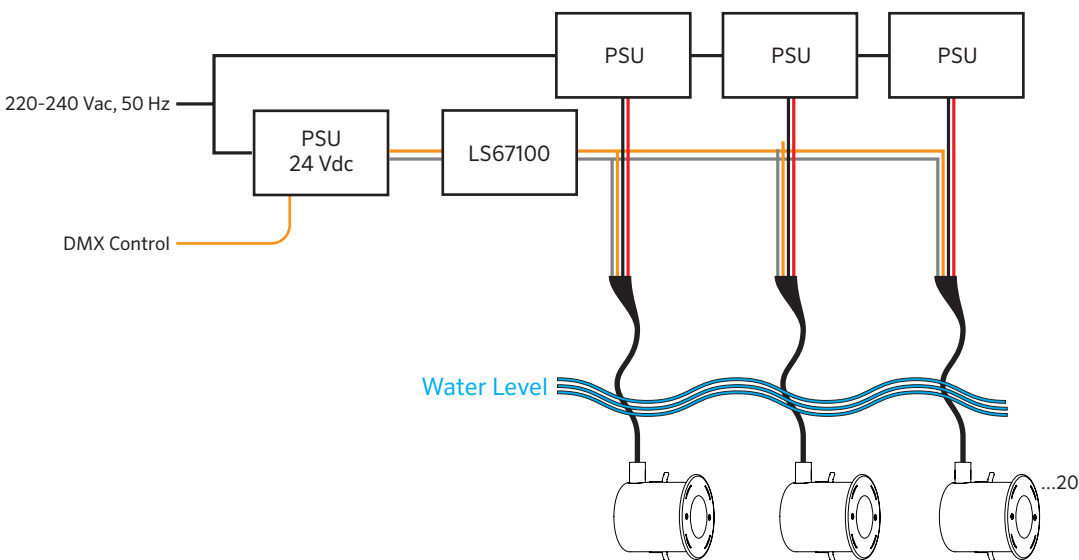
Network Topology – Static Color (0-10 V) Single Channel



Up to 20 Luminaires per run under the following conditions:

- All luminaires are controlled together
- Up to 20 luminaires controlled per LS6125
- Individual 30 Vdc power supplies are required
- Power and control via 4-core cable
- Refer to “Maximum Circuit Load” table for circuit limitations
- Suitable for installation into swimming pools in Australia
- All Connections MUST be made above water level
- Always observe local electrical codes rules and regulations

Network Topology – Static Color (DMX) 3 Channels



Up to 20 Luminaires per run under the following conditions:

- Luminaires powered through individual power supplies
- Up to 20 luminaires controlled per channel
- Individual 30 Vdc power supplies are required
- Power and control via 4-core cable
- Refer to “Maximum Circuit Load” table for circuit limitations
- Suitable for installation into swimming pools in Australia
- All Connections MUST be made above water level
- Always observe local electrical codes rules and regulations

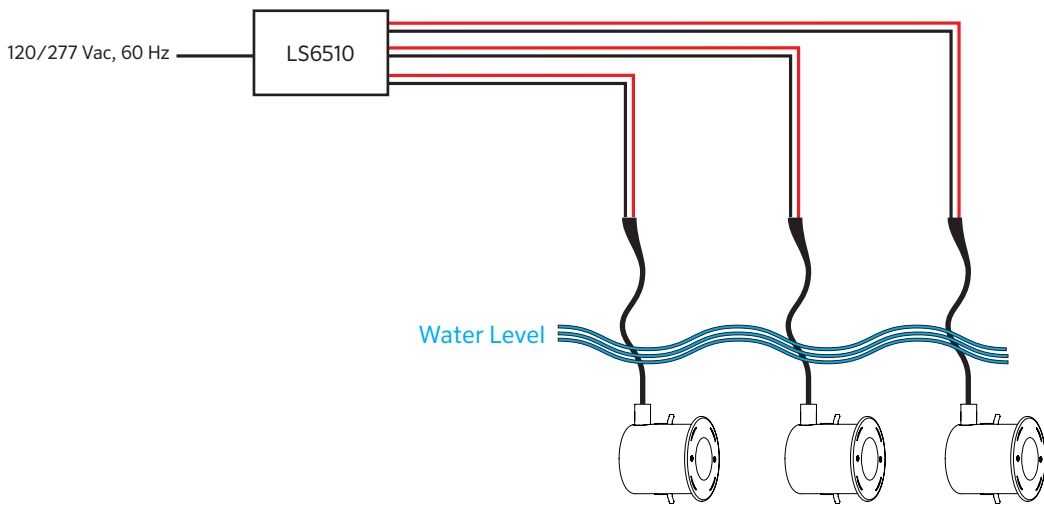


Maximum Circuit Load

QTY OF LS333ANS-2COB per LS6510-30V240W09DX	
Input Voltage	120/277 Vac, 60 Hz
Output Voltage	30 Vdc
LS6510 Wattage	240
LS333ANS-2COB	10

Compatibility with each transformer or power supply is indicated by the value shown in the table above and represents the maximum number of luminaires that may be powered from each transformer or power supply. Does not take into consideration, voltage drop or ampacity limits of the branch circuit. Dimming circuit total wire length must be kept under 328' (100 m). For assistance, contact Lumascape.

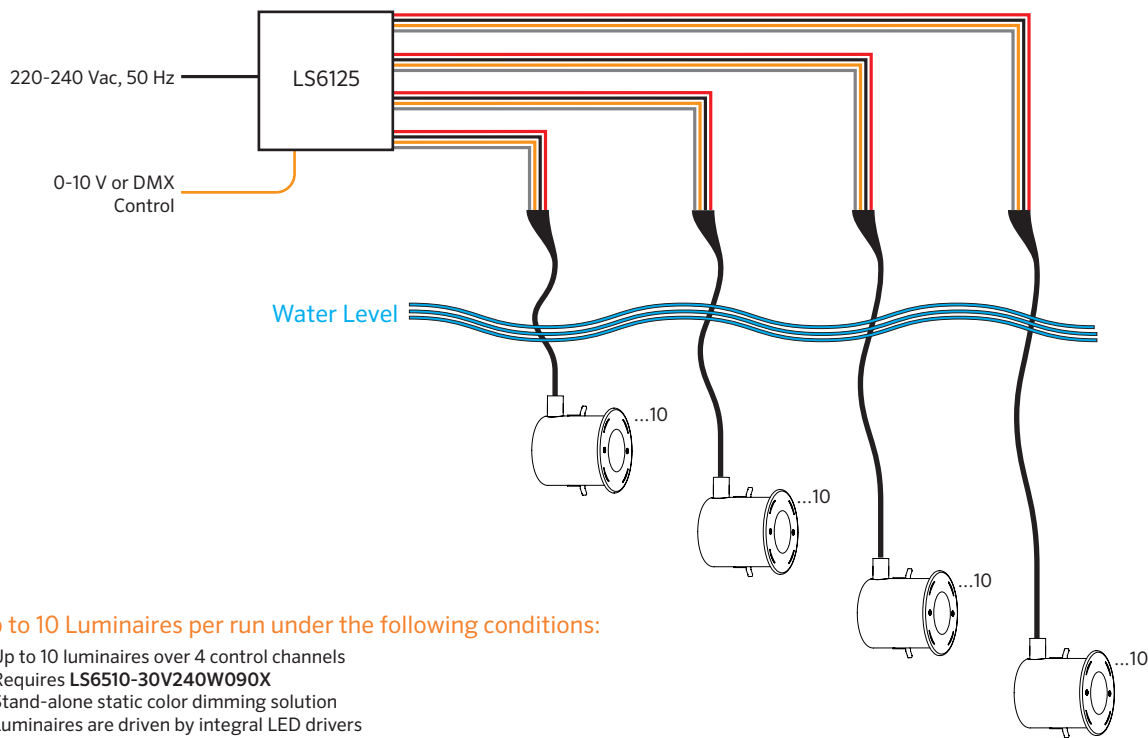
Network Topology – Static Color Non-Dimmable



Luminaires per run under the following conditions:

- All luminaires are controlled together
- Power supply is via 2-core cable
- Refer to “Maximum Circuit Load” table for circuit limitations
- All Connections MUST be made above water level
- Always observe local electrical codes rules and regulations

Network Topology – Static Color (0-10 V or DMX) 4 Channels



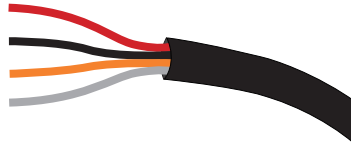
Up to 10 Luminaires per run under the following conditions:

- Up to 10 luminaires over 4 control channels
- Requires **LS6510-30V240W090X**
- Stand-alone static color dimming solution
- Luminaires are driven by integral LED drivers
- Power and control via 4-core cable
- Refer to “Maximum Circuit Load” table for circuit limitations
- All Connections **MUST** be made above water level!
- Always observe local electrical codes for branch circuit current limitations

Luminaire Wire Colors & Designations

Single Color Dimmable

Designation	Color
Positive	Red
Negative	Black
PWM +	Orange
PWM -	Gray



Single Color Non-Dimmable

Designation	Color
Positive	White or Red
Negative	Black

