

## Wall Mount



The LS411LED is a compact, adjustable luminaire featuring an integral line voltage driver and a wide range of adjustability for direct and indirect lighting applications. The epoxy coated, marine grade aluminum construction ensures a long service life, even in harsh environments.

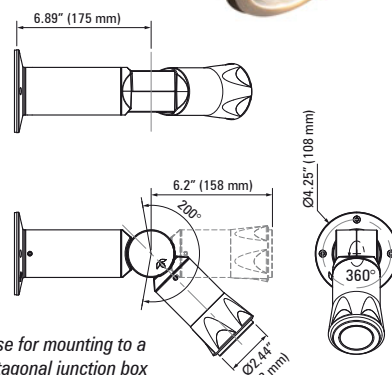
### Specifications

<b>Lamp Source</b>	9 W or 15 W LED <input type="checkbox"/> White (4 300 K typical) <input type="checkbox"/> Warm white (3 000 K typical) <input type="checkbox"/> Blue (470 nm) <i>Other colors by request</i> <input type="checkbox"/> RGB
<b>Approved Use</b>	Suitable for wet locations
<b>Control Options</b>	PWM
<b>IP Rating</b>	IP67
<b>Construction</b>	LM20 die-cast marine grade powder coated aluminum
<b>Installation Types</b>	Surface mount Pole mount Signage mount
<b>Remote Transformers / Power Supplies</b>	Refer to Technical Data section for application specific options <i>Order separately</i>
<b>Ambient Operating Temperature</b>	-22 °F to 122 °F (-30 °C to +50 °C)
<b>Photometrics</b>	Refer to <a href="http://www.lumascap.com">www.lumascap.com</a>

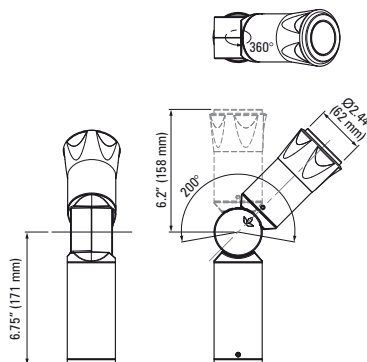
Any luminaire can become hot - take care with appropriate use and placement



LS411LED Omni Mini



Type "A" base for mounting to a 4" round/octagonal junction box



Type "B" base for use with all mounting accessories

<b>LS411LED</b>				<b>OPTICAL SYSTEM</b>		<b>INPUT VOLTAGE</b>		<b>FINISH</b>		
<b>LAMP</b>				<b>OPTICAL SYSTEM</b>		<b>INPUT VOLTAGE</b>		<b>FINISH</b>		
<b>Description</b>	<b>Wattage</b>	<b>Color</b>	<b>Code</b>	<b>Beam</b>	<b>Code</b>	<b>Voltage</b>	<b>Code</b>	<b>Description</b>	<b>Material</b>	<b>Code</b>
LED	9 W	White (4 300 K typ.)	<b>9W4</b>	Narrow Medium	25° <b>NM</b>	120-277 V, 50/60 Hz	<b>09</b> <sup>(1)</sup>	Black, powder coated	Aluminum	<b>CB</b>
		Warm white (3 000 K typ.)	<b>9H6</b>	Medium	30° <b>ME</b> <sup>(1)</sup>	12-15 V, 60 Hz or 12-24 V DC	<b>13</b> <sup>(1)(2)</sup>	White, powder coated	Aluminum	<b>CW</b>
		Blue (470 nm)	<b>9B4</b>	Linear	20° x 40° <b>LN</b>	PWM Dimmable Driver, 12-15 V, 60 Hz or 12-24 V DC	<b>13-DIM</b> <sup>(2)</sup>	Silver, powder coated	Aluminum	<b>CS</b>
		RGB	<b>9M4</b>	<sup>(1)</sup> Recommended for best RGB color mixing.						
LED	15 W	White (4 300 K typ.)	<b>15W4</b>							
		Warm white (3 000 K typ.)	<b>15H6</b>							
		Blue (470 nm)	<b>15B4</b>							
<b>Dimmable Wiring Diagram Reference</b>				<b>MOUNTING</b>						
<b>Input Voltage</b>	<b>LED Color</b>	<b>Control Type</b>	<b>Wiring Diagram</b>	<b>Description</b>	<b>Code</b>					
13-DIM	Single Color	PWM	6	4" junction box mount	<b>A</b>					
13-DIM	RGB	PWM	9	Pole clamp LS6023-1 or LS6023-2 required	<b>B</b>					
				Signage mount LS6025 required						
				Accessories must be ordered separately						

Diagram 6 - 0-10 V Dimming - Low Voltage LED Luminaire on 12-15 V AC or 24 V DC Circuit

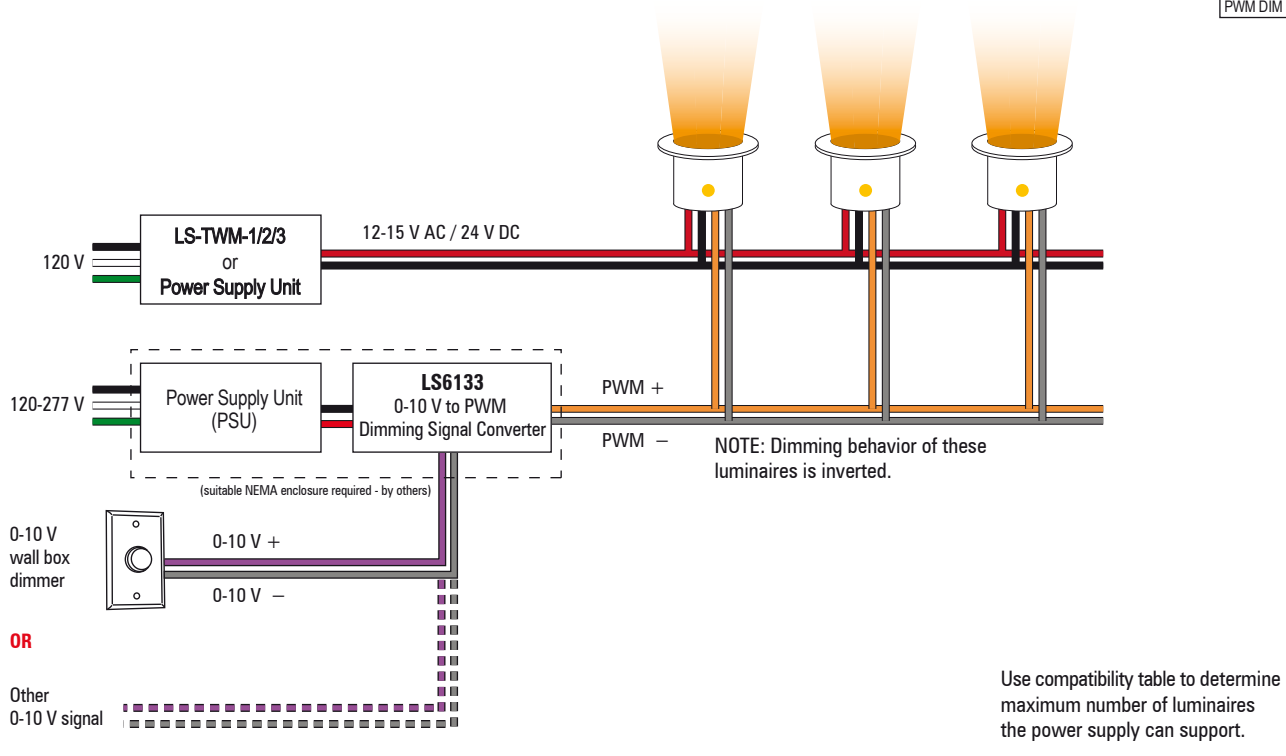
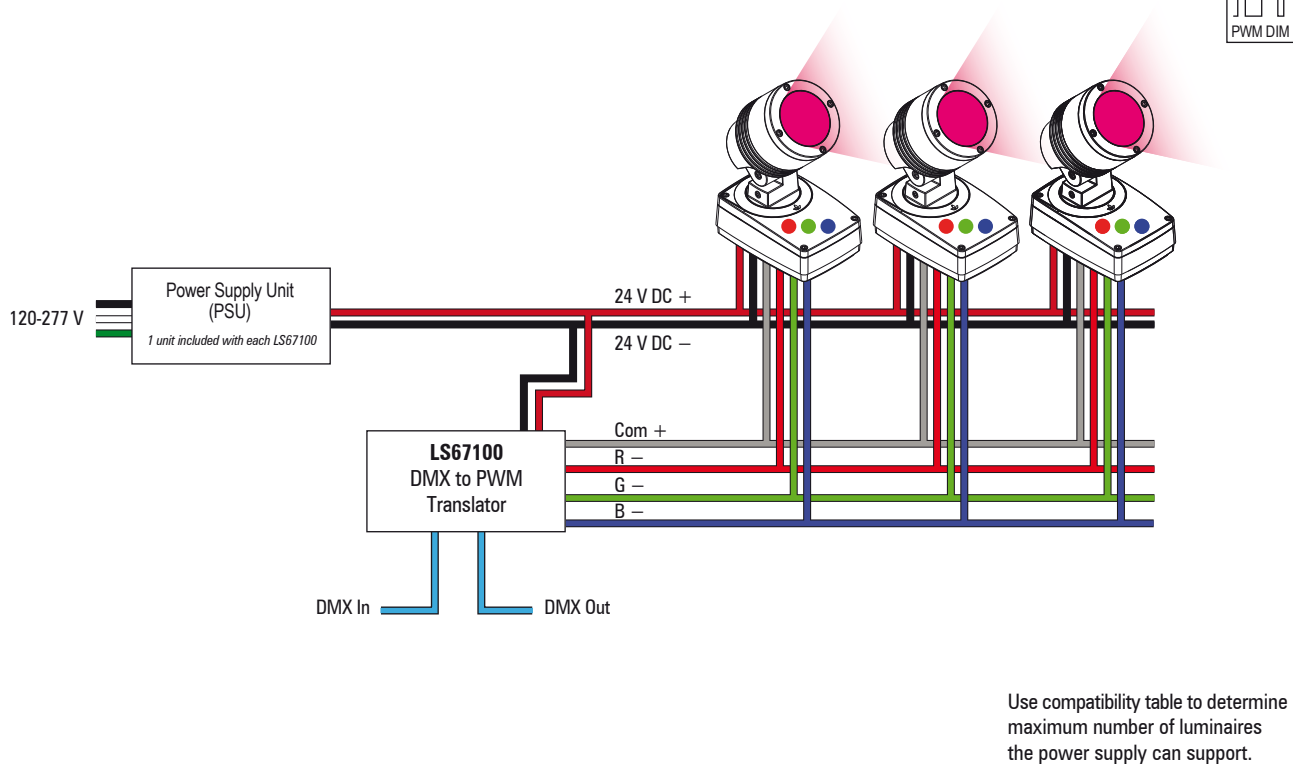


Diagram 9 - RGB via DMX for Low Voltage LED Luminaire on 24 V DC Circuit



NOTE: The above diagrams are intended to show electrical pathways between luminaires and ancillary devices. These diagrams are not intended to show type or color of cord/wire, wire gauge or approved use of the cord/wire supplied with luminaires.

**Consult the luminaire-specific cutsheet or the factory for detailed specifications.**

## Transformers and Power Supplies for Low Voltage LED Luminaires

The following list of transformers and power supplies are for use with luminaires specifically described as being compatible with either 12 V AC (wirewound only) transformers or with 12-24 V DC power supplies. Compatibility will be noted in the ordering code of the luminaire concerned, and will typically be referenced by Voltage Code '13' or '13-DIM'. In the case of '13-DIM' additional components may be required. Refer to the applicable wiring diagram/s.

Compatibility with each transformer or power supply is indicated by the value mentioned, representing the maximum number of luminaires that may be powered from each transformer or power supply. Please note, this does not take into consideration voltage drop or ampacity limits of the branch circuit. For assistance, please contact factory.

	Wall Mounted Landscape Lighting Transformers			Wall Mounted Transformers				Direct Burial Transformer
	LS-TWM-1-300	LS-TWM-2-600	LS-TWM-3-900	LS-TWM-50	LS-TWM-100	LS-TWM-150	LS-TWM-250	LS-TDB1-300
<b>Input Voltage</b>	120 V, 60 Hz	120 V, 60 Hz	120 V, 60 Hz	120 V, 60 Hz	120 V, 60 Hz	120 V, 60 Hz	120 V, 60 Hz	120 V, 60 Hz
<b>Output Voltage</b>	12/13/14/15 V 60 Hz	12/13/14/15 V 60 Hz	12/13/14/15 V 60 Hz	12 V, 60 Hz	12 V, 60 Hz	12 V, 60 Hz	12 V, 60 Hz	12.5 V, 60 Hz
<b>Wattage</b>	1 x 300 W circuit	2 x 300 W circuits	3 x 300 W circuits	50 W	100 W	150 W	250 W	300 W
<b>LS411LED, 9 Watt</b>								

