

LS782LED Astelia

At Grade



The Astelia is an excellent option for LED landscape lighting, featuring aim and tilt adjustability, a choice of finishes and long service life. The Astelia features new Lumascape d5 driver technology as a standard inclusion, providing a high level of control: When high output is required, it can be deployed in its full output, 6 W configuration; If a lower level of light is required, it can be set as low as 0.6 W, (either by the factory or in the field).

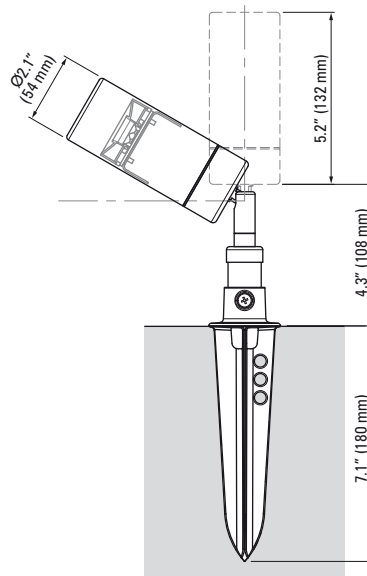
Specifications

Lamp Source	6 W LED <input type="checkbox"/> White (4 300 K typical) <input type="checkbox"/> Warm white (3 000 K typical) <input type="checkbox"/> Blue (470 nm)
Approved Use	Suitable for wet locations
Control Options	0-10 V (current sourcing) PWM On-site or factory-programmable brightness
IP Rating	IP65
Construction	Powder coated aluminum <input type="checkbox"/> Black <input type="checkbox"/> Silver Polished copper
Installation Type	Spike mount
Remote Transformers / Power Supplies	Refer to Technical Data section for application specific options <i>Order separately</i>
Ambient Operating Temperature	-4 °F to 104 °F (-20 °C to 40 °C)
Photometrics	Refer to www.lumascape.com

Any luminaire can become hot - take care with appropriate use and placement



LS782LED Astelia



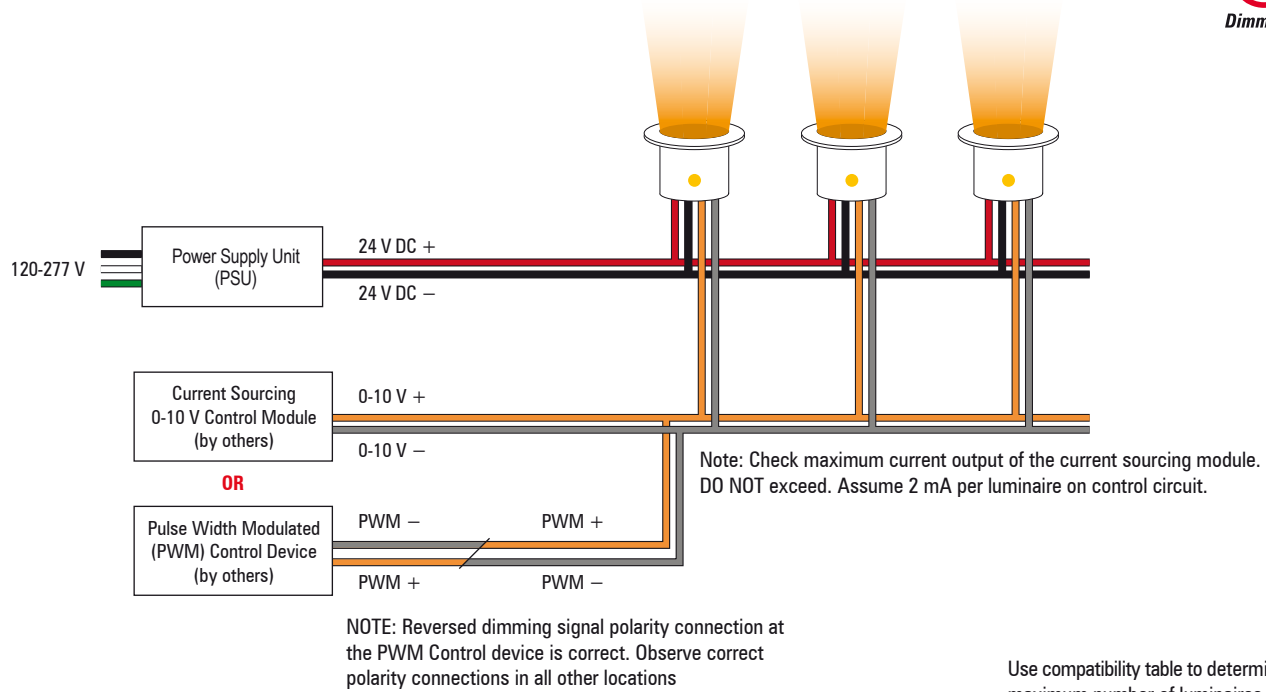
LS782LED				13-DIM											
LAMP				OPTICAL SYSTEM				INPUT VOLTAGE				FINISH			
Description	Wattage	Color	Code	Beam		Code	Description	Code	Description	Material	Code				
LED	6 W	White (4 300 K typical)	6W4	Narrow	14°	NR	0-10 V or PWM Dimmable Driver, 12-15 V, 60 Hz or 12-24 V DC	13-DIM ⁽¹⁾	Black, powder coated	Aluminum	CB				
		Warm white (3 000 K typical)	6H6	Narrow Medium	25°	NM			Silver, powder coated	Aluminum	CS				
		Blue (470 nm)	6B4	Medium	30°	ME			Polished	Copper	CU				
				Wide	40°	WD									

⁽¹⁾ Requires appropriate transformer.

Dimmable Wiring Diagram Reference

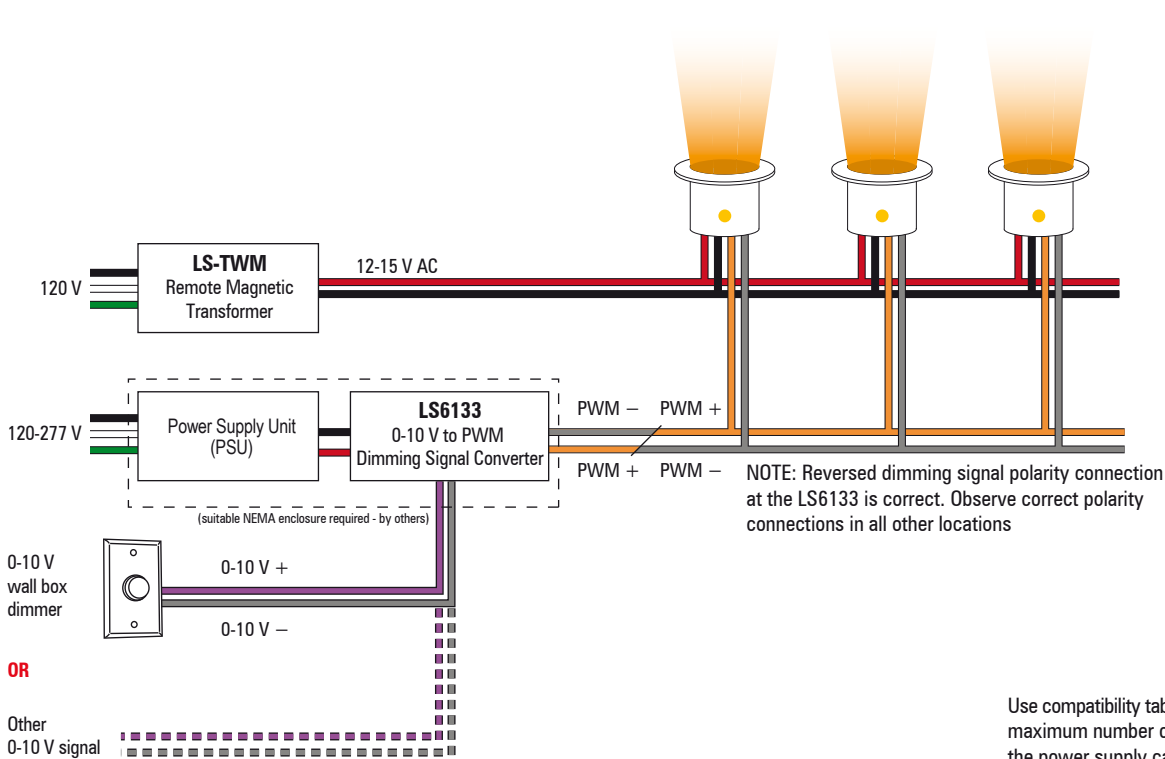
Input Voltage	LED Color	Control Type	Wiring Diagram
13-DIM	Single Color	PWM	2,3,4

Diagram 2 - 0-10 V Dimming Via Current Sourcing Module, or Pulse Width Modulated Dimming (PWM) - Low Voltage LED Luminaire with d5 Driver on 24 V DC Circuit



Use compatibility table to determine maximum number of luminaires the power supply can support.

Diagram 3 - 0-10 V Dimming - Low Voltage LED Luminaire with d5 Driver on 12-15 V AC Circuit



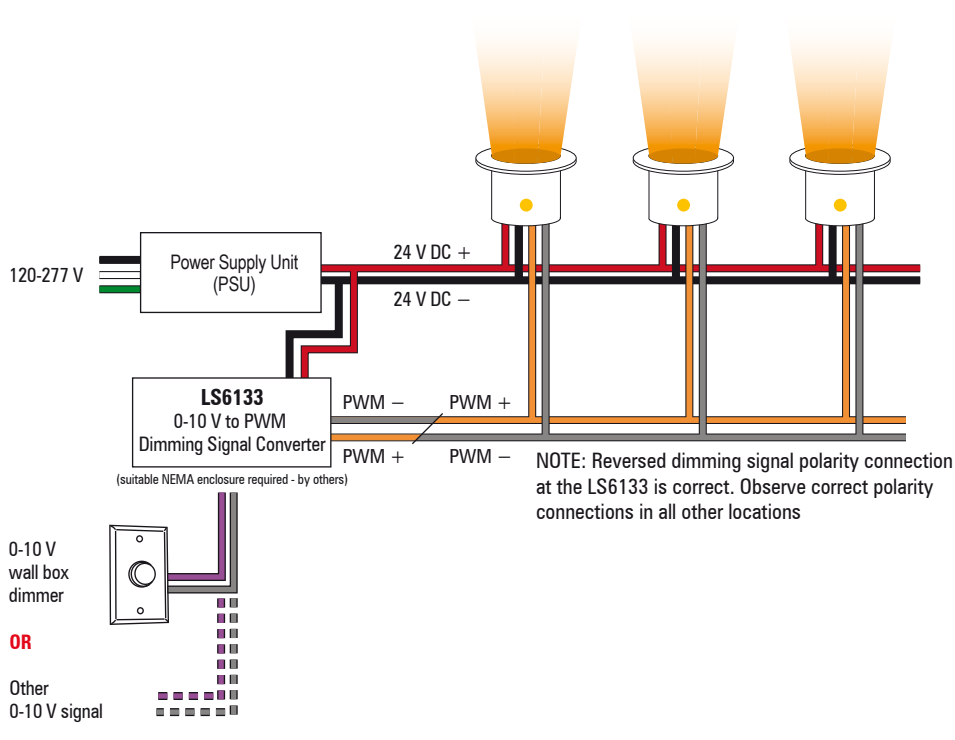
Use compatibility table to determine maximum number of luminaires the power supply can support.

NOTE: The above diagrams are intended to show electrical pathways between luminaires and ancillary devices. These diagrams are not intended to show type or color of cord/wire, wire gauge or approved use of the cord/wire supplied with luminaires.

Consult the luminaire-specific cutsheet or the factory for detailed specifications.



Diagram 4 - 0-10 V Dimming - Low Voltage LED Luminaire with d5 Driver on 24 V DC Circuit



Use compatibility table to determine maximum number of luminaires the power supply can support.

NOTE: The above diagrams are intended to show electrical pathways between luminaires and ancillary devices. These diagrams are not intended to show type or color of cord/wire, wire gauge or approved use of the cord/wire supplied with luminaires.

Consult the luminaire-specific cutsheet or the factory for detailed specifications.

Transformers and Power Supplies for Low Voltage LED Luminaires

The following list of transformers and power supplies are for use with luminaires specifically described as being compatible with either 12 V AC (wirewound only) transformers or with 12-24 V DC power supplies. Compatibility will be noted in the ordering code of the luminaire concerned, and will typically be referenced by Voltage Code '13' or '13-DIM'. In the case of '13-DIM' additional components may be required. Refer to the applicable wiring diagram/s.

Compatibility with each transformer or power supply is indicated by the value mentioned, representing the maximum number of luminaires that may be powered from each transformer or power supply. Please note, this does not take into consideration voltage drop or ampacity limits of the branch circuit. For assistance, please contact factory.

	Wall Mounted Landscape Lighting Transformers			Wall Mounted Transformers				Direct Burial Transformer
	LS-TWM-1-300	LS-TWM-2-600	LS-TWM-3-900	LS-TWM-50	LS-TWM-100	LS-TWM-150	LS-TWM-250	LS-TDB1-300
Input Voltage	120 V, 60 Hz	120 V, 60 Hz	120 V, 60 Hz	120 V, 60 Hz	120 V, 60 Hz	120 V, 60 Hz	120 V, 60 Hz	120 V, 60 Hz
Output Voltage	12/13/14/15 V 60 Hz	12/13/14/15 V 60 Hz	12/13/14/15 V 60 Hz	12 V, 60 Hz	12 V, 60 Hz	12 V, 60 Hz	12 V, 60 Hz	12.5 V, 60 Hz
Wattage	1 x 300 W circuit	2 x 300 W circuits	3 x 300 W circuits	50 W	100 W	150 W	250 W	300 W
LS782LED	23	46	69					23