

LS321-2LED Double Pagoda

Wallmount



The LS321-2LED is a compact, adjustable, direct or indirect accent used for grazing walls or other accent illumination tasks. The luminaire is constructed from either copper or powder coated aluminum, providing a variety of aesthetic options. This luminaire is ideal for use in modern architectural designs, and now features new Lumascape d5 driver technology for advanced dimming and control options.

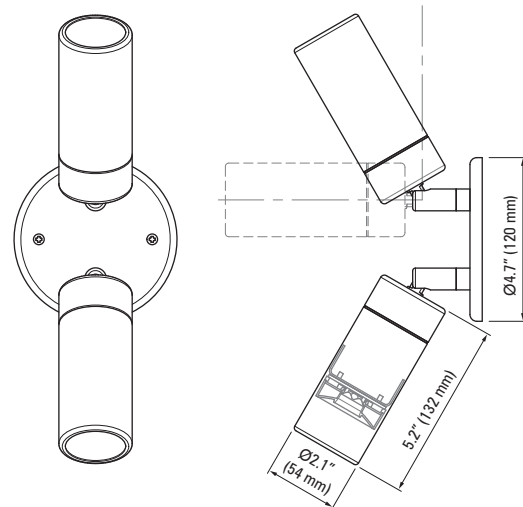
Specifications

Lamp Source	2 x 6 W LED <input type="checkbox"/> White (4 300 K typical) <input type="checkbox"/> Warm white (3 000 K typical) <input type="checkbox"/> Blue (470 nm)
Approved Use	Suitable for wet locations
Control Options	0-10 V (current sourcing) PWM On-site or factory-programmable brightness
IP Rating	IP65
Construction	Powder coated aluminum <input checked="" type="checkbox"/> Black <input type="checkbox"/> Silver Polished copper
Installation Type	Wall mount
Remote Transformers / Power Supplies	LSLED-15V20W277 J-box power supply for non-dimming applications Refer to Technical Data section for application specific options <i>Order separately</i>
Ambient Operating Temperature	-4 °F to 104 (-20 °C to 40 °C)
Photometrics	Refer to www.lumascape.com

Any luminaire can become hot - take care with appropriate use and placement



LS321-2LED Double Pagoda



LAMP		OPTICAL SYSTEM			INPUT VOLTAGE		FINISH			
Description	Wattage	Color	Code	Beam	Code	Description	Code	Description	Material	Code
LED	2 x 6 W	White (4 300 K typical)	12W4	Narrow 14°	NR	0-10 V or PWM Dimmable Driver, 12-15 V, 60 Hz or 12-24 V DC ⁽¹⁾ Requires appropriate transformer.	13-DIM ⁽¹⁾	Black, powder coated	Aluminum	CB
		Warm white (3 000 K typical)	12H6	Narrow Medium 25°	NM			Silver, powder coated	Aluminum	CS
		Blue (470 nm)	12B4	Medium 30°	ME			Polished	Copper	CU
				Wide 40°	WD					

Dimmable Wiring Diagram Reference

Input Voltage	LED Color	Control Type	Wiring Diagram
13-DIM	Single Color	PWM	2,3,4

Diagram 2 - Non Dimming - Low Voltage LED Luminaire on a Low Voltage Circuit

Please note: for submersible lighting applications, the use of a GFCI may be required. Consult local wiring rules.

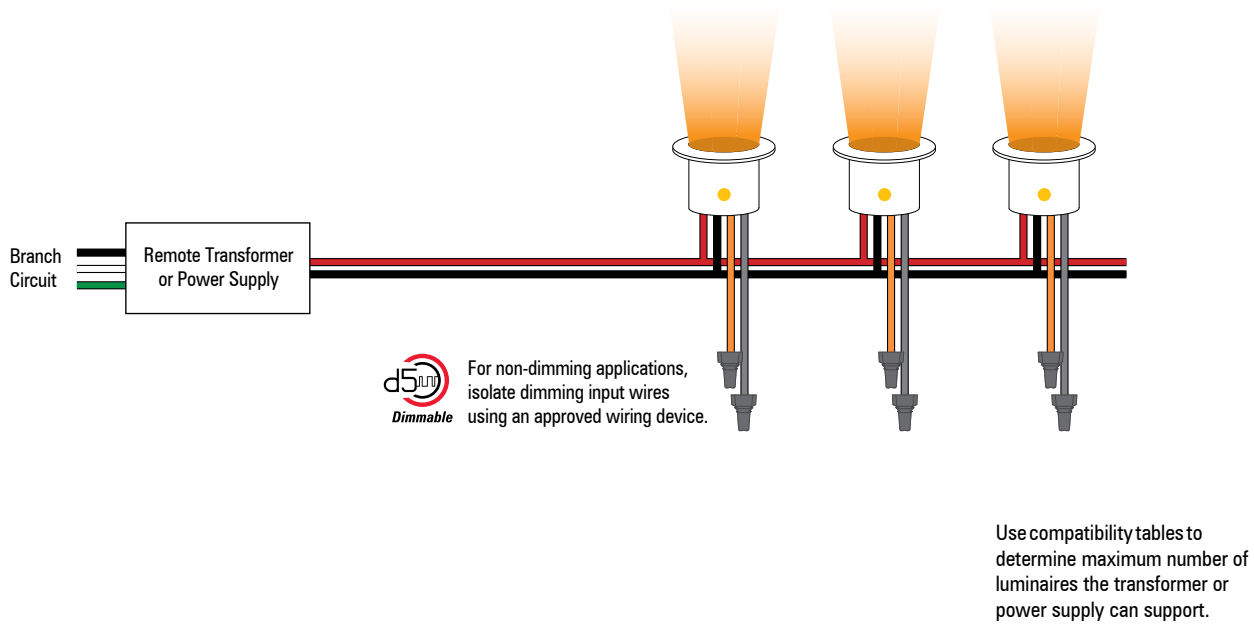
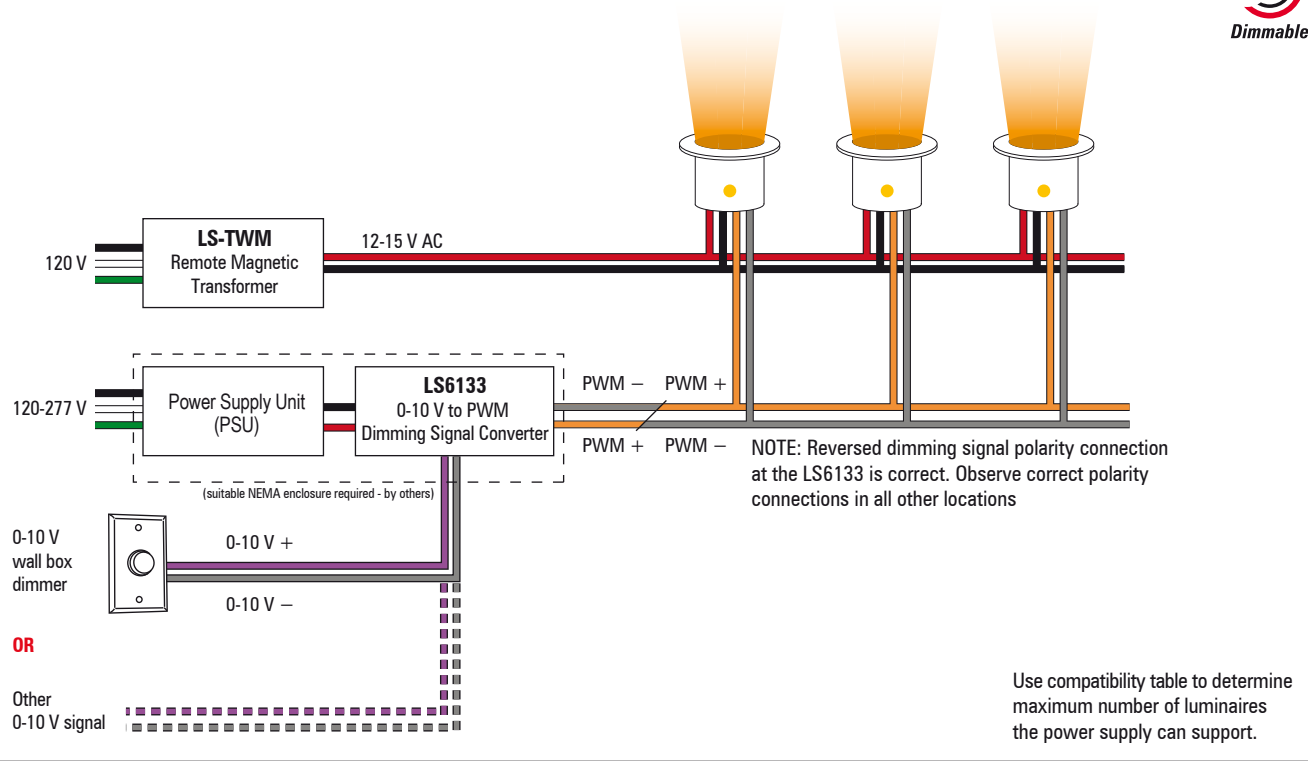


Diagram 3 - 0-10 V Dimming - Low Voltage LED Luminaire with d5 Driver on 12-15 V AC Circuit

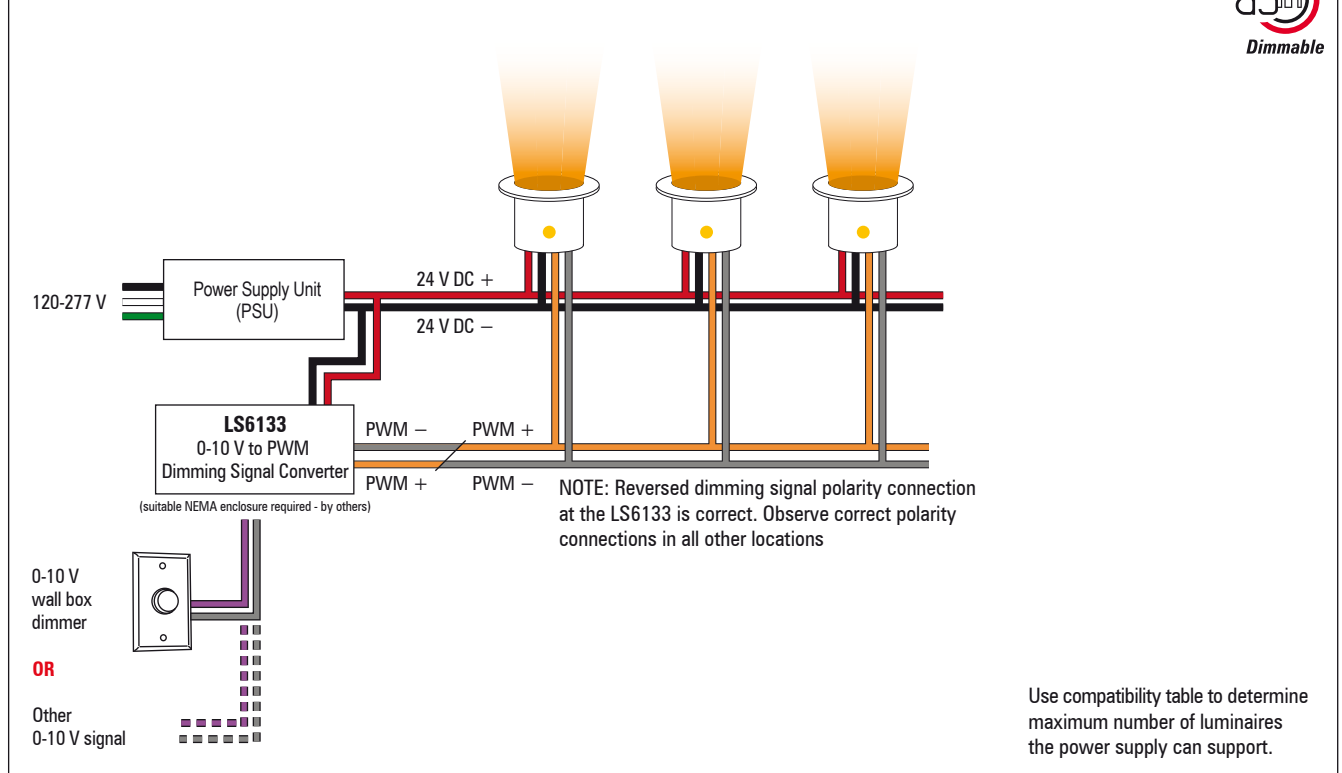


NOTE: The above diagrams are intended to show electrical pathways between luminaires and ancillary devices. These diagrams are not intended to show type or color of cord/wire, wire gauge or approved use of the cord/wire supplied with luminaires.

Consult the luminaire-specific cutsheet or the factory for detailed specifications.

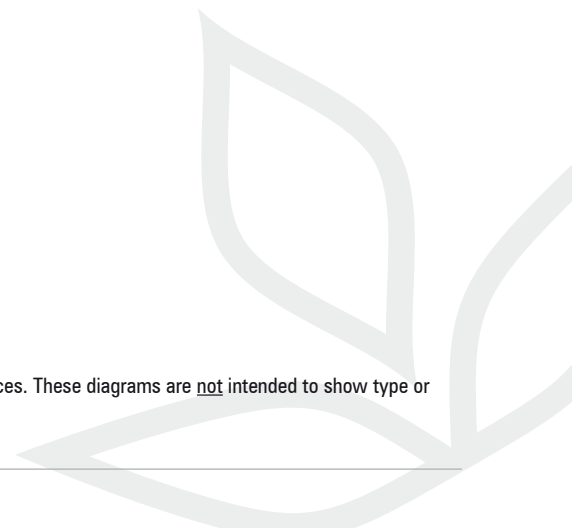


Diagram 4 - 0-10 V Dimming - Low Voltage LED Luminaire with d5 Driver on 24 V DC Circuit



NOTE: The above diagrams are intended to show electrical pathways between luminaires and ancillary devices. These diagrams are not intended to show type or color of cord/wire, wire gauge or approved use of the cord/wire supplied with luminaires.

Consult the luminaire-specific cutsheet or the factory for detailed specifications.



Transformers and Power Supplies for Low Voltage LED Luminaires

The following list of transformers and power supplies are for use with luminaires specifically described as being compatible with either 12 V AC (wirewound only) transformers or with 12-24 V DC power supplies. Compatibility will be noted in the ordering code of the luminaire concerned, and will typically be referenced by Voltage Code '13' or '13-DIM'. In the case of '13-DIM' additional components may be required. Refer to the applicable wiring diagram/s.

Compatibility with each transformer or power supply is indicated by the value mentioned, representing the maximum number of luminaires that may be powered from each transformer or power supply. Please note, this does not take into consideration voltage drop or ampacity limits of the branch circuit. For assistance, please contact factory.

	Wall Mounted Landscape Lighting Transformers			Wall Mounted Transformers				Direct Burial Transformer
	LS-TWM-1-300	LS-TWM-2-600	LS-TWM-3-900	LS-TWM-50	LS-TWM-100	LS-TWM-150	LS-TWM-250	LS-TDB1-300
Input Voltage	120 V, 60 Hz	120 V, 60 Hz	120 V, 60 Hz	120 V, 60 Hz	120 V, 60 Hz	120 V, 60 Hz	120 V, 60 Hz	120 V, 60 Hz
Output Voltage	12/13/14/15 V 60 Hz	12/13/14/15 V 60 Hz	12/13/14/15 V 60 Hz	12 V, 60 Hz	12 V, 60 Hz	12 V, 60 Hz	12 V, 60 Hz	12.5 V, 60 Hz
Wattage	1 x 300 W circuit	2 x 300 W circuits	3 x 300 W circuits	50 W	100 W	150 W	250 W	300 W
LS321-2LED	11	23	34	2	4	6	10	11