

## LS731LED Portico

Wallmount



The LS731LED is a compact, fixed position, direct or indirect accent used for grazing walls or other accent illumination tasks. The luminaire is constructed from 316 marine grade stainless steel with Lumascape's proprietary **ElectroPolishPlus™** surface treatment, to provide a long life even in coastal environments. This luminaire is ideal for use in modern architectural designs, and now features new Lumascape d5 driver technology for advanced dimming and control options.

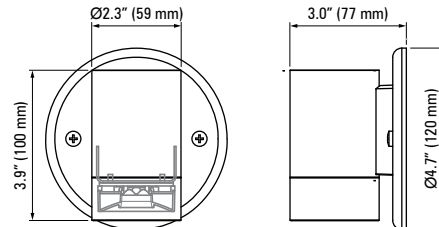
### Specifications

<b>Lamp Source</b>	3 W LED <input type="checkbox"/> White (4 300 K typical) <input type="checkbox"/> Warm white (3 000 K typical) <input type="checkbox"/> Blue (470 nm) <i>Other colors by request</i>
<b>Approved Use</b>	Suitable for wet locations
<b>Control Options</b>	0-10 V On-site or factory-programmable brightness
<b>IP Rating</b>	IP65
<b>Construction</b>	316 marine grade stainless steel
<b>Remote Transformers / Power Supplies</b>	<b>LSLED-15V20W277</b> J-box power supply for non-dimming applications <i>Order separately</i>
<b>Ambient Operating Temperature</b>	-40 °F to 122 °F (-40 °C to +50 °C)
<b>Photometrics</b>	Refer to <a href="http://www.lumascap.com">www.lumascap.com</a>

*Any luminaire can become hot - take care with appropriate use and placement*



LS731LED Portico



LAMP			OPTICAL SYSTEM			INPUT VOLTAGE	
Description	Wattage	Color	Code	Beam	Code	Description	Code
LED	3 W	White (4 300 K typ.)	<b>3W4</b>	Narrow	14°	12-15 V, 60 Hz or 12-24 V DC	<b>13</b> <sup>(1)</sup>
		Warm white (3 000 K typ.)	<b>3H6</b>	Narrow Medium	25°		
		Blue (470 nm)	<b>3B4</b>	Medium	30°		
				Wide	40°		

<sup>(1)</sup> For appropriate transformer.

### Wiring Diagram Reference

Input Voltage	LED Color	Control Type	Wiring Diagram
13	Single Color	Non Dim	2
23	Single Color	0-10 V	3,4

Diagram 2 - Non Dimming - Low Voltage LED Luminaire on a Low Voltage Circuit

Please note: for submersible lighting applications, the use of a GFCI may be required. Consult local wiring rules.

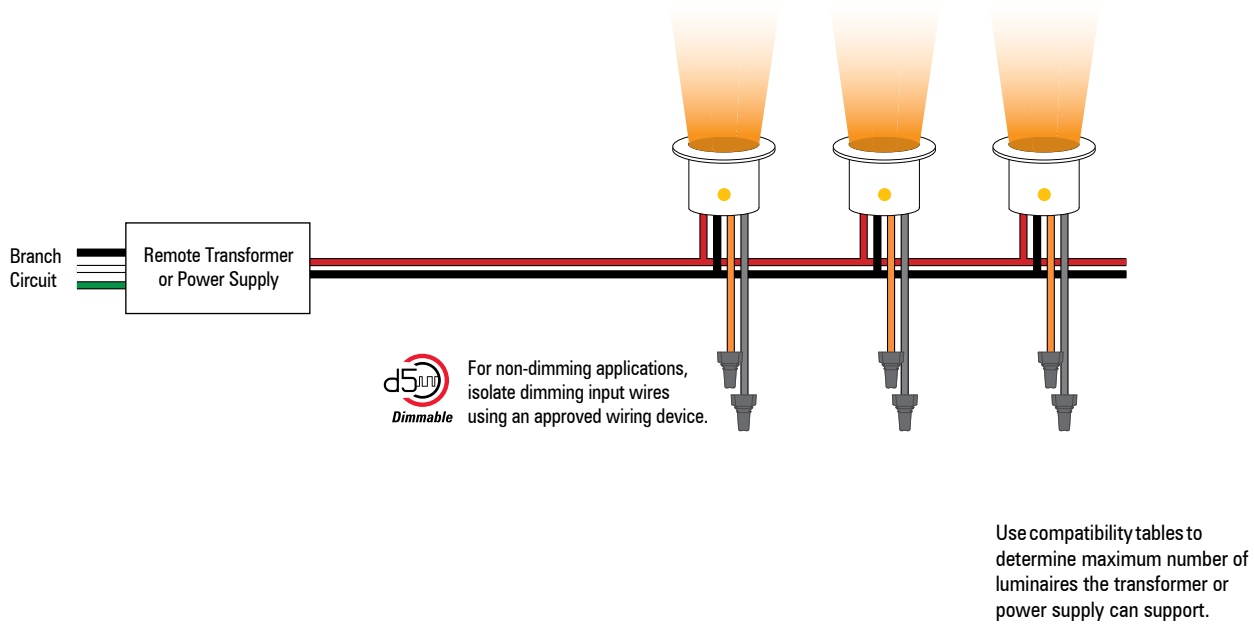
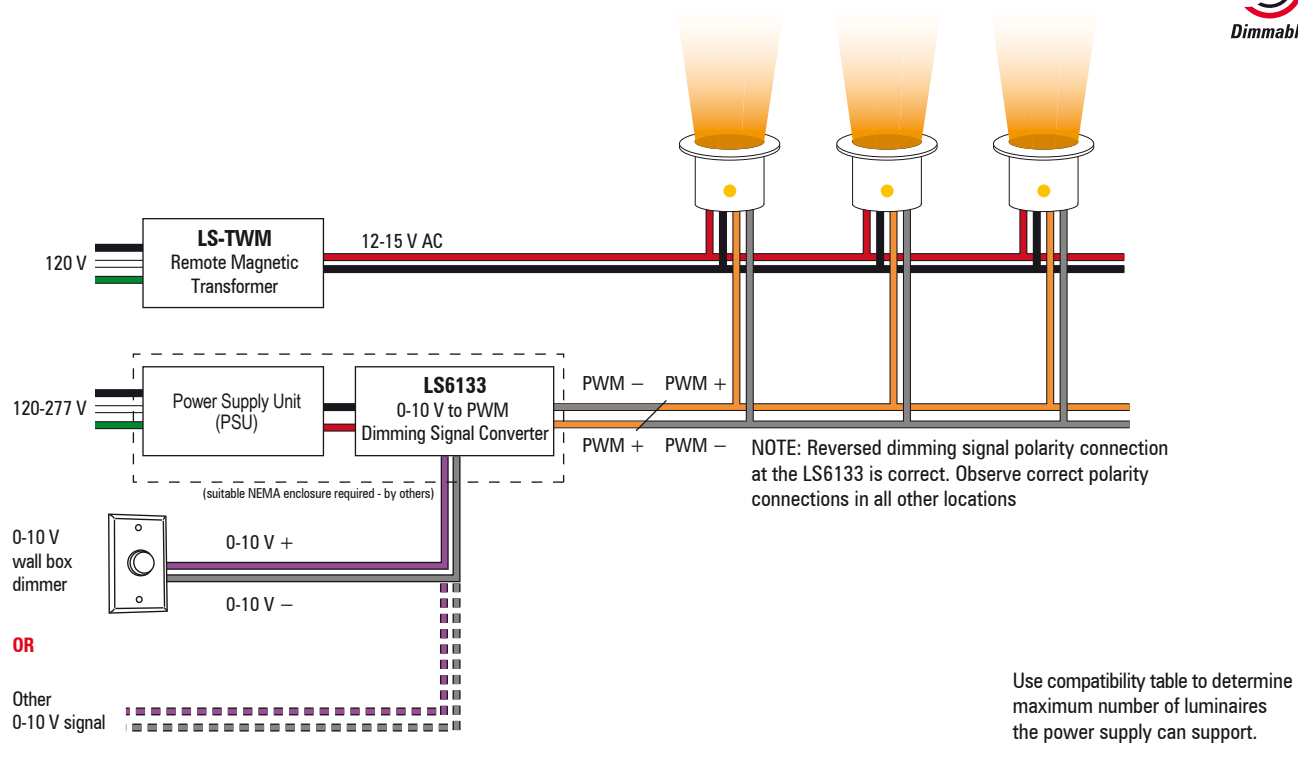


Diagram 3 - 0-10 V Dimming - Low Voltage LED Luminaire with d5 Driver on 12-15 V AC Circuit

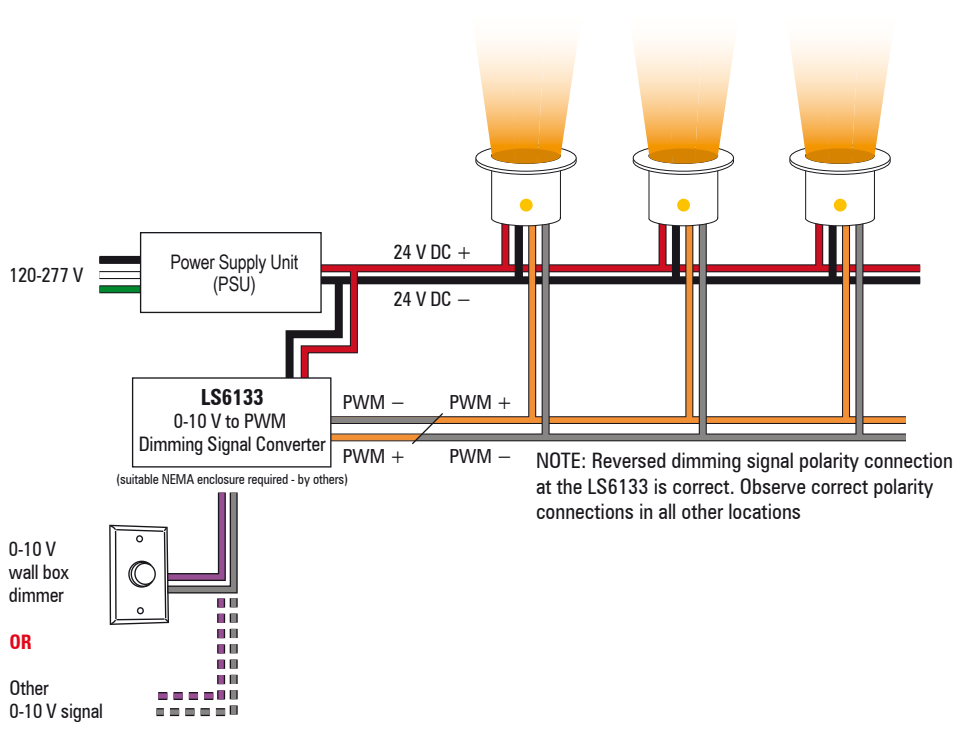


NOTE: The above diagrams are intended to show electrical pathways between luminaires and ancillary devices. These diagrams are not intended to show type or color of cord/wire, wire gauge or approved use of the cord/wire supplied with luminaires.

**Consult the luminaire-specific cutsheet or the factory for detailed specifications.**



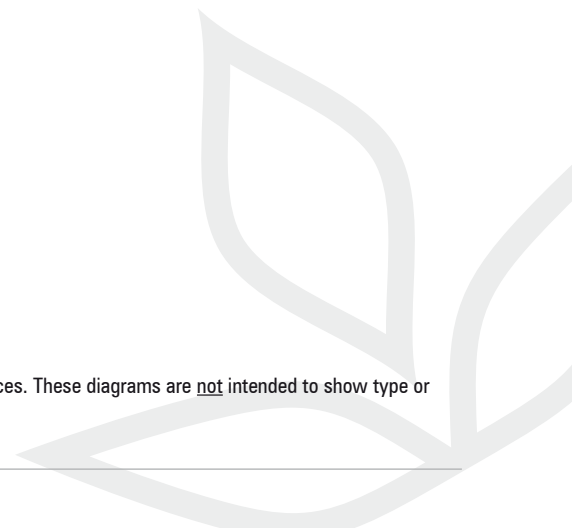
Diagram 4 - 0-10 V Dimming - Low Voltage LED Luminaire with d5 Driver on 24 V DC Circuit



Use compatibility table to determine maximum number of luminaires the power supply can support.

NOTE: The above diagrams are intended to show electrical pathways between luminaires and ancillary devices. These diagrams are not intended to show type or color of cord/wire, wire gauge or approved use of the cord/wire supplied with luminaires.

**Consult the luminaire-specific cutsheet or the factory for detailed specifications.**



## Transformers and Power Supplies for Low Voltage LED Luminaires

The following list of transformers and power supplies are for use with luminaires specifically described as being compatible with either 12 V AC (wirewound only) transformers or with 12-24 V DC power supplies. Compatibility will be noted in the ordering code of the luminaire concerned, and will typically be referenced by Voltage Code '13' or '13-DIM'. In the case of '13-DIM' additional components may be required. Refer to the applicable wiring diagram/s.

Compatibility with each transformer or power supply is indicated by the value mentioned, representing the maximum number of luminaires that may be powered from each transformer or power supply. Please note, this does not take into consideration voltage drop or ampacity limits of the branch circuit. For assistance, please contact factory.

	Wall Mounted Landscape Lighting Transformers			Wall Mounted Transformers				Direct Burial Transformer
	LS-TWM-1-300	LS-TWM-2-600	LS-TWM-3-900	LS-TWM-50	LS-TWM-100	LS-TWM-150	LS-TDB1-300	LS-TWM-250
<b>Input Voltage</b>	120 V, 60 Hz	120 V, 60 Hz	120 V, 60 Hz	120 V, 60 Hz	120 V, 60 Hz	120 V, 60 Hz	120 V, 60 Hz	120 V, 60 Hz
<b>Output Voltage</b>	12/13/14/15 V 60 Hz	12/13/14/15 V 60 Hz	12/13/14/15 V 60 Hz	12 V, 60 Hz	12 V, 60 Hz	12 V, 60 Hz	12 V, 60 Hz	12.5 V, 60 Hz
<b>Wattage</b>	1 x 300 W circuit	2 x 300 W circuits	3 x 300 W circuits	50 W	100 W	150 W	250 W	300 W
<b>LS722LED</b>	23	46	69	3	7	11	19	23

## Transformers for Landscape Lighting Applications

**LS-TWM-1-300**

Magnetic transformer - wall mounted

<b>Input</b>	120 V
<b>Rating</b>	300 W
<b>Output</b>	12/13/14/15 V
<b>Output Circuits</b>	1
<b>Protection</b>	Electrostatic shield, magnetic breaker
<b>Approvals</b>	UL, CUL
<b>NEMA Rating</b>	3R
<b>Construction</b>	Stainless steel
<b>Dimensions</b>	H 17.6" (447 mm) W 6.8" (173 mm) D 6.19" (157 mm)
<b>Weight</b>	27 lb (12.3 kg)

**LS-TWM-3-900**

Magnetic transformer - wall mounted

<b>Input</b>	120 V
<b>Rating</b>	900 W
<b>Output</b>	12/13/14/15 V
<b>Output Circuits</b>	3
<b>Protection</b>	Electrostatic shield, magnetic breaker
<b>Approvals</b>	UL, CUL
<b>NEMA Rating</b>	3R
<b>Construction</b>	Stainless steel
<b>Dimensions</b>	H 18.6" (472 mm) W 7.8" (198 mm) D 6.19" (157 mm)
<b>Weight</b>	34 lb (15.5 kg)

**LS-TWM-2-600**

Magnetic transformer - wall mounted

<b>Input</b>	120 V
<b>Rating</b>	600 W
<b>Output</b>	12/13/14/15 V
<b>Output Circuits</b>	2
<b>Protection</b>	Electrostatic shield, magnetic breaker
<b>Approvals</b>	UL, CUL
<b>NEMA Rating</b>	3R
<b>Construction</b>	Stainless steel
<b>Dimensions</b>	H 17.6" (447 mm) W 6.8" (173 mm) D 6.19" (157 mm)
<b>Weight</b>	29 lb (13.2 kg)

**LS-TDB1-300**

Magnetic transformer - direct burial

<b>Input</b>	120 V
<b>Rating</b>	300 W
<b>Output</b>	12.5 V
<b>Output Circuits</b>	1
<b>Protection</b>	Circuit breaker
<b>Approvals</b>	ETL (US and Canada)
<b>NEMA Rating</b>	12
<b>Construction</b>	Reinforced composite
<b>Dimensions</b>	H 9" (229 mm) W 9" (229 mm) D 7" (178 mm)
<b>Weight</b>	8 lb (3.6 kg)

## Wall Mounted Transformers

**LS-TWM-50**

Magnetic transformer - wall mounted

<b>Input</b>	120 V or 240 V
<b>Rating</b>	50 W
<b>Output</b>	12 V or 24 V
<b>Output Circuits</b>	1
<b>Protection</b>	Isolation type transformer
<b>Approvals</b>	UL, CUL
<b>NEMA Rating</b>	3R
<b>Construction</b>	Powder coated steel
<b>Dimensions</b>	H 8.03" (204 mm) W 3.31" (84 mm) D 3.08" (78 mm)
<b>Weight</b>	4.4 lb (2 kg)

**LS-TWM-150**

Magnetic transformer - wall mounted

<b>Input</b>	120 V or 240 V
<b>Rating</b>	150 W
<b>Output</b>	12 V or 24 V
<b>Output Circuits</b>	1
<b>Protection</b>	Isolation type transformer
<b>Approvals</b>	UL, CUL
<b>NEMA Rating</b>	3R
<b>Construction</b>	Powder coated steel
<b>Dimensions</b>	H 8.03" (204 mm) W 3.31" (84 mm) D 3.08" (78 mm)
<b>Weight</b>	5.6 lb (2.5 kg)

**LS-TWM-100**

Magnetic transformer - wall mounted

<b>Input</b>	120 V or 240 V
<b>Rating</b>	100 W
<b>Output</b>	12 V or 24 V
<b>Output Circuits</b>	1
<b>Protection</b>	Isolation type transformer
<b>Approvals</b>	UL, CUL
<b>NEMA Rating</b>	3R
<b>Construction</b>	Powder coated steel
<b>Dimensions</b>	H 8.03" (204 mm) W 3.31" (84 mm) D 3.08" (78 mm)
<b>Weight</b>	4.8 lb (2.2 kg)

**LS-TWM-250**

Magnetic transformer - wall mounted

<b>Input</b>	120 V or 240 V
<b>Rating</b>	250 W
<b>Output</b>	12 V or 24 V
<b>Output Circuits</b>	1
<b>Protection</b>	Isolation type transformer
<b>Approvals</b>	UL, CUL
<b>NEMA Rating</b>	3R
<b>Construction</b>	Powder coated steel
<b>Dimensions</b>	H 8.03" (204 mm) W 3.31" (84 mm) D 3.08" (78 mm)
<b>Weight</b>	6.7 lb (3 kg)

## Class 2 LED Power Supplies

**LSLED-24V96W277**

Electronic DC power supply - wall mounted

<b>Input</b>	120-277 V, 50/60 Hz
<b>Rating</b>	96 W / 4 A
<b>Output</b>	24 V DC
<b>Output Circuits</b>	1
<b>Approvals</b>	CSA, CSA-US
<b>Location</b>	Wet location
<b>Dimensions</b>	<b>H</b> 12.32" (313 mm) <b>W</b> 2.54" (65 mm) <b>D</b> 1.67" (42 mm)
<b>Weight</b>	2 lb (0.9 kg)

**LSLED-24V12W277**

Electronic DC power supply - NEMA enclosure required (by others)

<b>Input</b>	120-277 V, 50/60 Hz
<b>Rating</b>	12 W / 0.5 A
<b>Output</b>	24 V DC
<b>Output Circuits</b>	1
<b>Approvals</b>	UL, CUL Recognized, Class 2
<b>IP rating</b>	IP66
<b>Location</b>	Wet location
<b>Dimensions</b>	<b>H</b> 3.35" (85 mm) <b>W</b> 1.42" (36 mm) <b>D</b> 0.91" (23 mm)
<b>Weight</b>	0.282 lb (0.1 kg)

## Control Related Equipment

**LS6133**

0-10 V to PWM translator - NEMA enclosure required (by others)

<b>Input</b>	24 V DC		
<b>Rating</b>	96 W max		
<b>Output</b>	4 A max		
<b>Output Circuits</b>	1		
<b>Approvals</b>	UL, CUL Recognized, Class 2		
<b>IP Rating</b>	IP66		
<b>Dimensions</b>	<b>H</b> 5.2" (132 mm)	<b>W</b> 1.3" (33 mm)	<b>D</b> 1" (25 mm)
<b>Weight</b>	0.2 lb (0.1 kg)		

**LS67100**

DMX to PWM translator - dry location only

<b>Input</b>	24 V DC		
<b>Rating</b>	4 x 60 W max		
<b>Output</b>	4 x 2.5 A max		
<b>Output Circuits</b>	4		
<b>Approvals</b>	UL, CUL		
<b>IP Rating</b>	N/A		
<b>Dimensions</b>	<b>H</b> 11.25" (286 mm)	<b>W</b> 4.6" (117 mm)	<b>D</b> 3.2" (82 mm)
<b>Weight</b>	0.5 lb (0.2 kg)		

