

LS151LED Melia

Wallmount

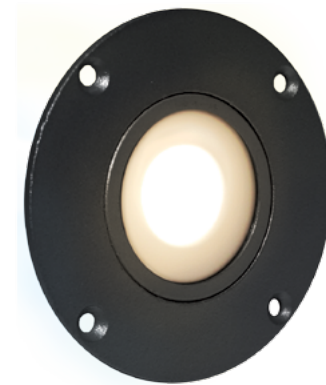


Designed and constructed with performance in mind, this luminaire provides diffuse illumination in either a brass or powder coated aluminum housing. This luminaire features new Lumascape d5 driver technology for advanced dimming and control options.

Specifications

Lamp Source	3 W LED <input type="checkbox"/> White (4 300 K typical) <input type="checkbox"/> Warm white (3 000 K typical)
Approved Use	Suitable for wet locations. Recessed - 2" min insulation gap
Control Options	0-10 V On-site or factory-programmable brightness
IP Rating	IP67
Construction	Powder coated aluminum <input type="checkbox"/> Black <input type="checkbox"/> Silver Polished copper and brass
Installation Type	Wall recessed
Standard Inclusions	MicroAntiLeach™ wire entry 6.5' (2 m) cord
Accessories	LS603-C aluminum hood: powder coated Black or silver powder coat available LS603 copper hood
Ambient Operating Temperature	-4 °F to 104 (-20 °C to 40 °C)

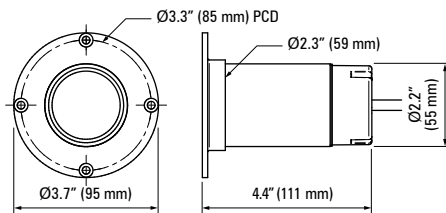
Any luminaire can become hot - take care with appropriate use and placement



LS151LED Melia



LS603-CB Hood



LS151LED		23																													
LAMP	INPUT VOLTAGE	FINISH																													
<table border="1"> <thead> <tr> <th>Description</th> <th>Wattage</th> <th>Color</th> <th>Code</th> </tr> </thead> <tbody> <tr> <td>LED</td> <td>3 W</td> <td>White (4 300 K typical)</td> <td>3W4</td> </tr> <tr> <td></td> <td></td> <td>Warm white (3 000 K typical)</td> <td>3H6</td> </tr> </tbody> </table>	Description	Wattage	Color	Code	LED	3 W	White (4 300 K typical)	3W4			Warm white (3 000 K typical)	3H6	<table border="1"> <thead> <tr> <th>Description</th> <th>Code</th> </tr> </thead> <tbody> <tr> <td>PWM Dimmable Driver, 12-15 V, 60 Hz or 12-24 V DC</td> <td>23⁽¹⁾</td> </tr> </tbody> </table>	Description	Code	PWM Dimmable Driver, 12-15 V, 60 Hz or 12-24 V DC	23⁽¹⁾	<table border="1"> <thead> <tr> <th>Description</th> <th>Material</th> <th>Code</th> </tr> </thead> <tbody> <tr> <td>Black, powder coated</td> <td>Aluminum</td> <td>CB</td> </tr> <tr> <td>Silver, powder coated</td> <td>Aluminum</td> <td>CS</td> </tr> <tr> <td>Polished</td> <td>Brass</td> <td>PB</td> </tr> </tbody> </table>	Description	Material	Code	Black, powder coated	Aluminum	CB	Silver, powder coated	Aluminum	CS	Polished	Brass	PB	
Description	Wattage	Color	Code																												
LED	3 W	White (4 300 K typical)	3W4																												
		Warm white (3 000 K typical)	3H6																												
Description	Code																														
PWM Dimmable Driver, 12-15 V, 60 Hz or 12-24 V DC	23⁽¹⁾																														
Description	Material	Code																													
Black, powder coated	Aluminum	CB																													
Silver, powder coated	Aluminum	CS																													
Polished	Brass	PB																													

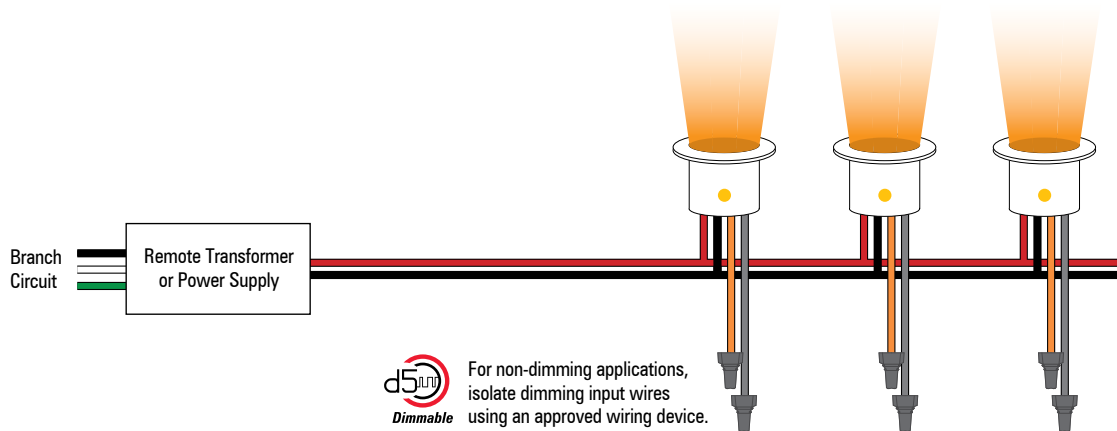
⁽¹⁾ For appropriate transformer.

Wiring Diagram Reference

Input Voltage	LED Color	Control Type	Wiring Diagram
23	Single Color	Non Dim	2
23	Single Color	0-10 V	4

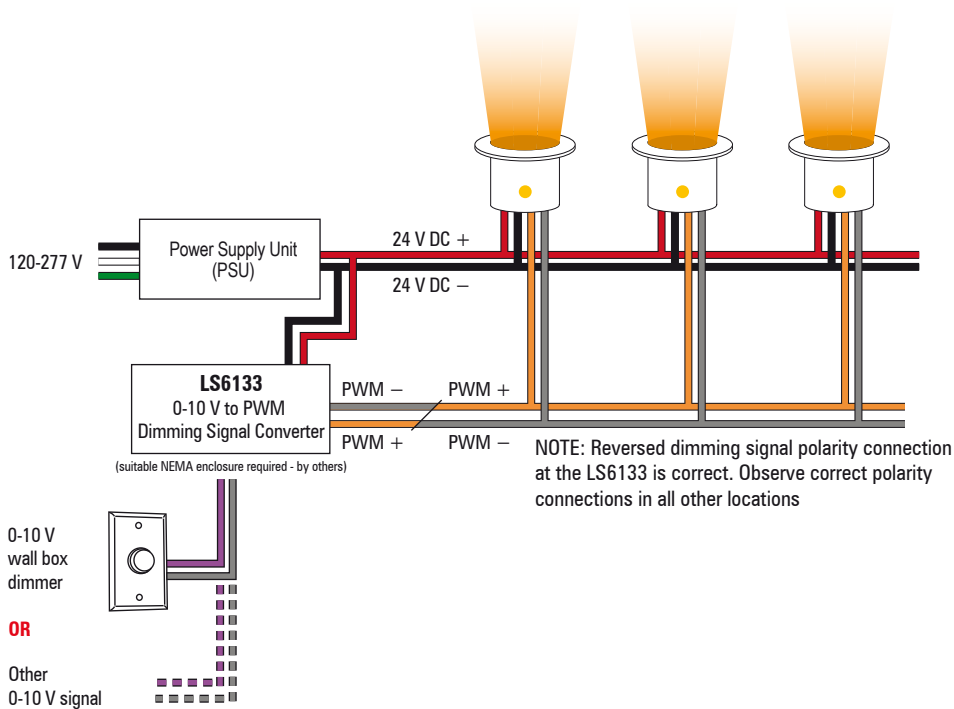
Diagram 2 - Non Dimming - Low Voltage LED Luminaire on a Low Voltage Circuit

Please note: for submersible lighting applications, the use of a GFCI may be required. Consult local wiring rules.



Use compatibility tables to determine maximum number of luminaires the transformer or power supply can support.

Diagram 4 - 0-10 V Dimming - Low Voltage LED Luminaire with d5 Driver on 24 V DC Circuit



Use compatibility table to determine maximum number of luminaires the power supply can support.

NOTE: The above diagrams are intended to show electrical pathways between luminaires and ancillary devices. These diagrams are not intended to show type or color of cord/wire, wire gauge or approved use of the cord/wire supplied with luminaires.

Consult the luminaire-specific cutsheet or the factory for detailed specifications.

Transformers and Power Supplies for Low Voltage LED Luminaires

The following list of transformers and power supplies are for use with luminaires specifically described as being compatible with either 12 V AC (wirewound only) transformers or with 12-24 V DC power supplies. Compatibility will be noted in the ordering code of the luminaire concerned, and will typically be referenced by Voltage Code '13' or '13-DIM'. In the case of '13-DIM' additional components may be required. Refer to the applicable wiring diagram/s.

Compatibility with each transformer or power supply is indicated by the value mentioned, representing the maximum number of luminaires that may be powered from each transformer or power supply. Please note, this does not take into consideration voltage drop or ampacity limits of the branch circuit. For assistance, please contact factory.

	Wall Mounted Landscape Lighting Transformers			Wall Mounted Transformers				Direct Burial Transformer
	LS-TWM-1-300	LS-TWM-2-600	LS-TWM-3-900	LS-TWM-50	LS-TWM-100	LS-TWM-150	LS-TWM-250	LS-TDB1-300
Input Voltage	120 V, 60 Hz	120 V, 60 Hz	120 V, 60 Hz	120 V, 60 Hz	120 V, 60 Hz	120 V, 60 Hz	120 V, 60 Hz	120 V, 60 Hz
Output Voltage	12/13/14/15 V 60 Hz	12/13/14/15 V 60 Hz	12/13/14/15 V 60 Hz	12 V, 60 Hz	12 V, 60 Hz	12 V, 60 Hz	12 V, 60 Hz	12.5 V, 60 Hz
Wattage	1 x 300 W circuit	2 x 300 W circuits	3 x 300 W circuits	50 W	100 W	150 W	250 W	300 W
LS151LED	42	84	126	7	14	21	35	42