

LS411LED Omnio Mini

At Grade



The LS411LED is a compact, adjustable luminaire with an aesthetically pleasing form, featuring integral line voltage driver and a wide range of adjustability making it ideal for general landscape lighting applications. The LS411LED is also supplied factory sealed, complete with 6.5' hookup wire. The epoxy coated, marine grade aluminum construction ensures a long service life, even in harsh environments.

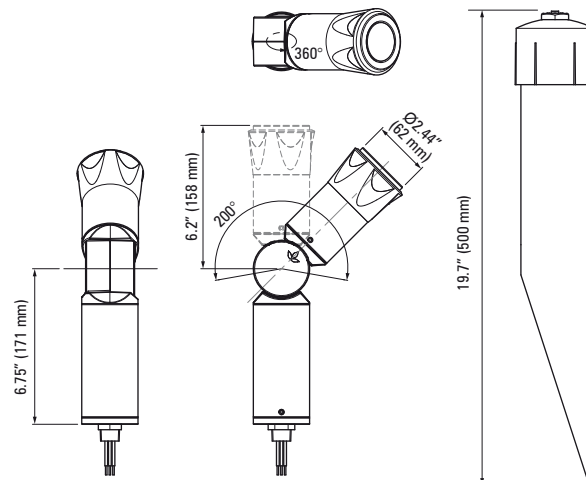
Specifications

Lamp Source	9 W or 15 W LED <input type="checkbox"/> White (4 300 K typical) <input type="checkbox"/> Warm white (3 000 K typical) <input type="checkbox"/> Blue (470 nm) <i>Other colors by request</i> <input type="checkbox"/> RGB
Approved Use	Suitable for wet locations
Control Options	PWM
IP Rating	IP67
Construction	LM20 die-cast marine grade powder coated aluminum
Mounting Type	1/2" NPT
Standard Inclusions	Silicone handgrip to allow hot adjustment MicroAntiLeach™ wire entry
Accessories	LS6054 Groundmount stake <i>Order separately</i>
Remote Transformers / Power Supplies	Refer to Technical Data section for application specific options <i>Order separately</i>
Ambient Operating Temperature	-22 °F to 122 °F (-30 °C to +50 °C)
Photometrics	Refer to www.lumascap.com

Any luminaire can become hot - take care with appropriate use and placement



LS411LED Omnio Mini



LS6054 Groundmount Stake
(order separately)

LS411LED → [] → [] → C → [] → []

LAMP				OPTICAL SYSTEM				INPUT VOLTAGE	
Description	Wattage	Color	Code	Beam		Code	Voltage	Code	
LED	9 W	White (4 300 K typ.)	9W4	Narrow Medium	25°	NM	120-277 V, 50/60 Hz	09⁽¹⁾	
		Warm white (3 000 K typ.)	9H6	Medium	30°	ME⁽¹⁾	12-15 V, 60 Hz or 12-24 V DC	13⁽¹⁾⁽²⁾	
		Blue (470 nm)	9B4	Linear	20° x 40°	LN	PWM Dimmable Driver, 12-15 V, 60 Hz or 12-24 V DC	13-DIM⁽²⁾	
		RGB	9M4	⁽¹⁾ Recommended for best RGB color mixing.					
	15 W	White (4 300 K typ.)	15W4						
		Warm white (3 000 K typ.)	15H6						
		Blue (470 nm)	15B4						

MOUNTING	
Description	Code
1/2" NPT	C

FINISH		
Description	Material	Code
Black, powder coated	Aluminum	CB
White, powder coated	Aluminum	CW
Silver, powder coated	Aluminum	CS

Dimmable Wiring Diagram Reference

Input Voltage	LED Color	Control Type	Wiring Diagram
13-DIM	Single Color	PWM	6
13-DIM	RGB	PWM	8,9

Diagram 6 - 0-10 V Dimming - Low Voltage LED Luminaire on 12-15 V AC or 24 V DC Circuit

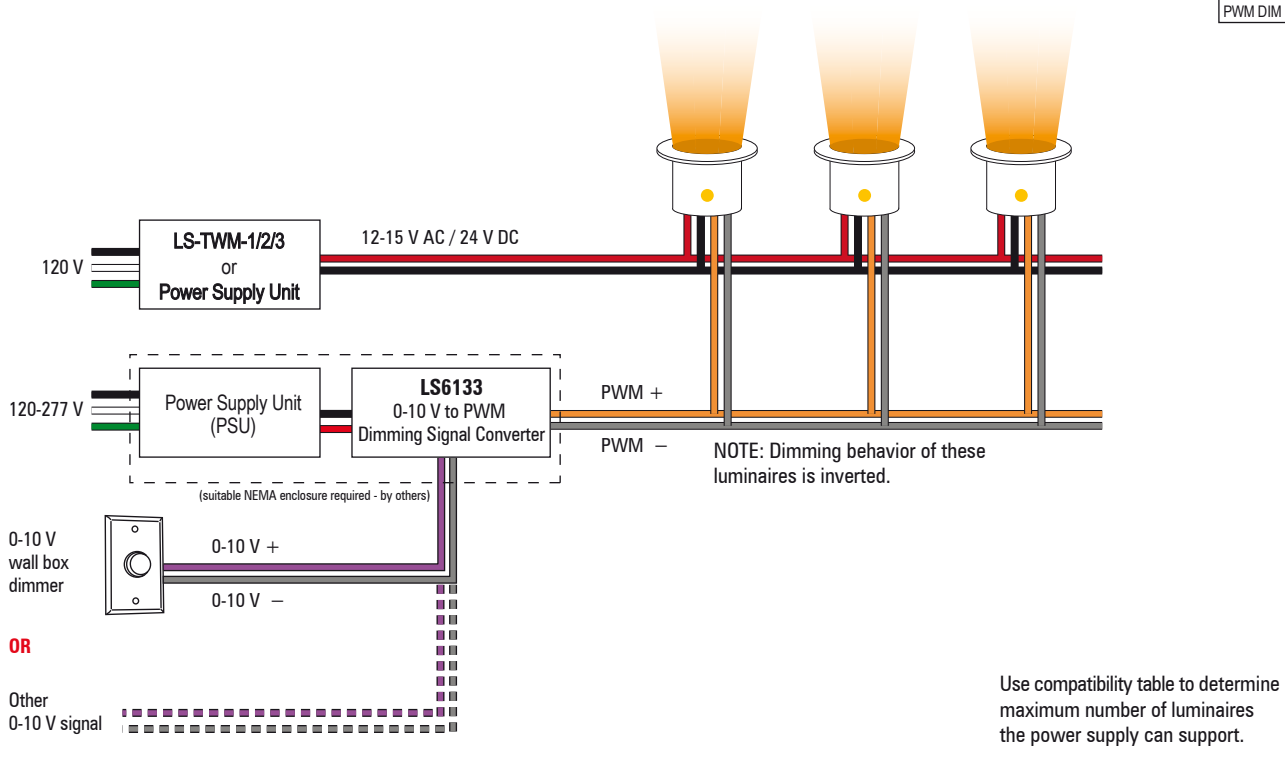
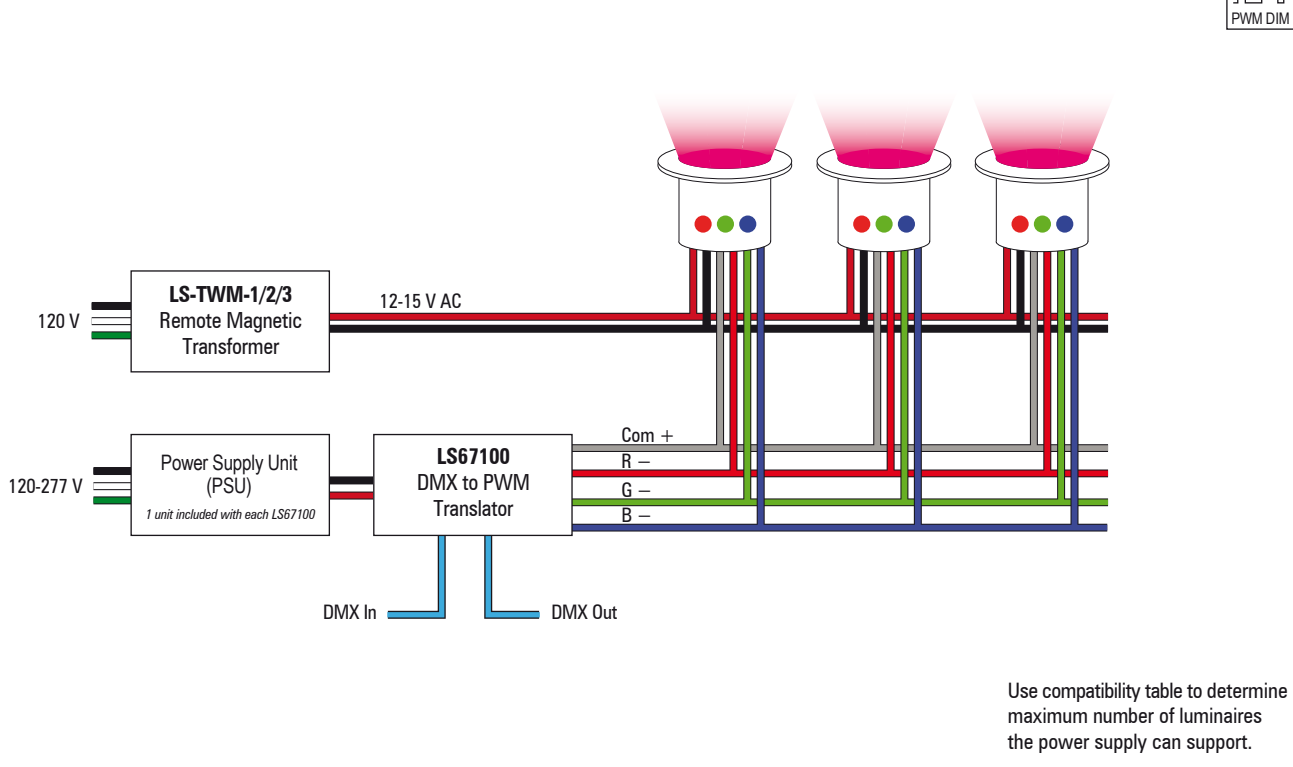


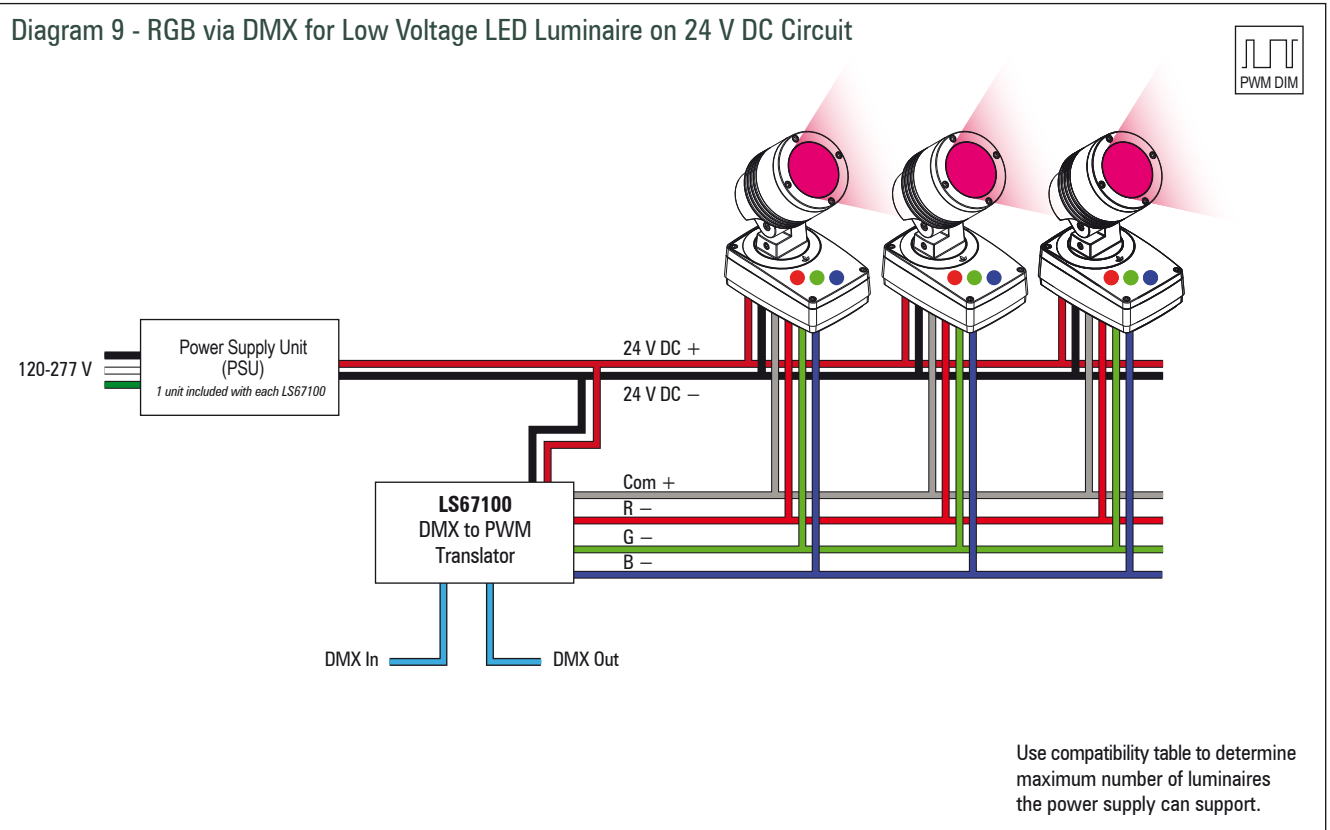
Diagram 8 - RGB via DMX for Low Voltage LED Luminaire on 12-15 V AC Circuit



NOTE: The above diagrams are intended to show electrical pathways between luminaires and ancillary devices. These diagrams are not intended to show type or color of cord/wire, wire gauge or approved use of the cord/wire supplied with luminaires.

Consult the luminaire-specific cutsheet or the factory for detailed specifications.

Diagram 9 - RGB via DMX for Low Voltage LED Luminaire on 24 V DC Circuit



NOTE: The above diagrams are intended to show electrical pathways between luminaires and ancillary devices. These diagrams are not intended to show type or color of cord/wire, wire gauge or approved use of the cord/wire supplied with luminaires.

Consult the luminaire-specific cutsheet or the factory for detailed specifications.

Transformers and Power Supplies for Low Voltage LED Luminaires

The following list of transformers and power supplies are for use with luminaires specifically described as being compatible with either 12 V AC (wirewound only) transformers or with 12-24 V DC power supplies. Compatibility will be noted in the ordering code of the luminaire concerned, and will typically be referenced by Voltage Code '13' or '13-DIM'. In the case of '13-DIM' additional components may be required. Refer to the applicable wiring diagram/s.

Compatibility with each transformer or power supply is indicated by the value mentioned, representing the maximum number of luminaires that may be powered from each transformer or power supply. Please note, this does not take into consideration voltage drop or ampacity limits of the branch circuit. For assistance, please contact factory.

	Wall Mounted Landscape Lighting Transformers			Wall Mounted Transformers				Direct Burial Transformer
	LS-TWM-1-300	LS-TWM-2-600	LS-TWM-3-900	LS-TWM-50	LS-TWM-100	LS-TWM-150	LS-TWM-250	LS-TDB1-300
Input Voltage	120 V, 60 Hz	120 V, 60 Hz	120 V, 60 Hz	120 V, 60 Hz	120 V, 60 Hz	120 V, 60 Hz	120 V, 60 Hz	120 V, 60 Hz
Output Voltage	12/13/14/15 V 60 Hz	12/13/14/15 V 60 Hz	12/13/14/15 V 60 Hz	12 V, 60 Hz	12 V, 60 Hz	12 V, 60 Hz	12 V, 60 Hz	12.5 V, 60 Hz
Wattage	1 x 300 W circuit	2 x 300 W circuits	3 x 300 W circuits	50 W	100 W	150 W	250 W	300 W
LS411LED, 9 Watt	12	24	36					12