



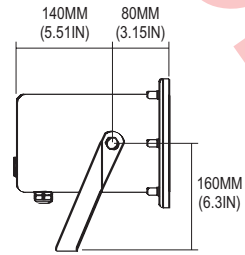
IMPORTANT INSTRUCTIONS

For Installation LS365: UNDERWATER

Lumascope USA Inc.
1300 Industrial Rd., Unit #19
San Carlos, CA 94070, USA
T 1-(650)-595-LUMA(5862)
F 1-(650)-595-5820
E info@lumascope.com
W www.lumascope.com

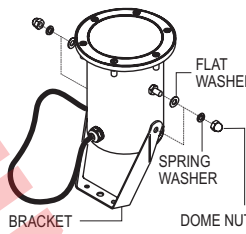
WARNING If cable damaged replace with cable supplied by LUMASCOPE only. DO NOT SHORTEN, INTERFERE OR DISCONNECT CABLE FROM FITTING. WARRANTY WILL BE VOID IF CABLE ASSEMBLY IS TAMPERED WITH. **CAUTION - HOT BULBS. Keep Away From Curtains And Other Combustible Material.**

1



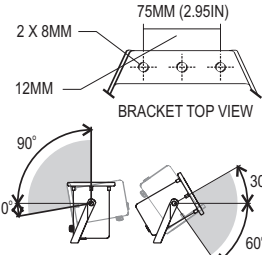
Locate Fixtures
Site fixture in proximity to cabling. Use discretion in locating fixtures as glass can become very hot and may burn.

2



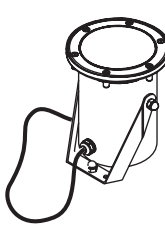
Mount Bracket to Fixture
Mount bracket supplied to fixture using the M10 dome nuts and washers as shown above.

3



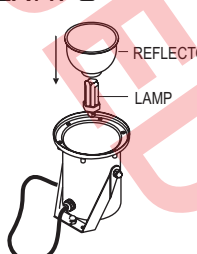
Mount Fixture
Mount fixture to secure surface. Orientate fixture as required and tighten nuts on bracket.

4




Connect Supply
Connect fixture to supply cable according to local wiring rules.

5A PL LAMPS



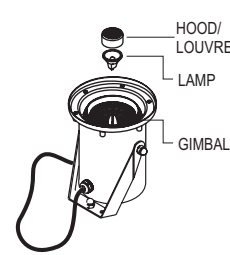
Insert Lamp
Insert PL lamp into lampholder mounted on gear tray in bottom of fixture. Insert reflector, locating bottom into aluminium cup around lampholder.

5B PAR LAMPS



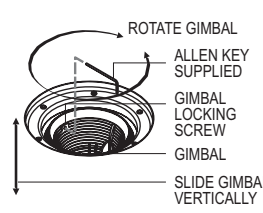
Insert Lamp
Screw PAR38, or PAR30 lamp into lampholder mounted on gear tray in bottom of fixture. Ensure the lamp bottoms out in lampholder.

5C MR16 LAMPS



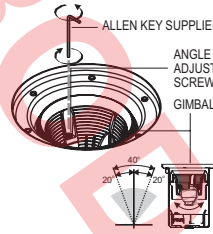
Insert Lamp
Remove Hood and louvre from gimbal and insert MR16 lamp into lampholder. Replace hood and louvre.

5D MR16 LAMPS



Adjust vertical and rotational position of gimbal
Rotate gimbal to aim light at target. Slide gimbal vertically to minimise glare. Once positioned tighten locking screw using Allen Key provided.

9 MR16 LAMPS



Adjust angular position of light
Aim the light at target by rotating the angle adjust screw, with the Allen Key provided. The lamp has a maximum adjust of 20° either side of vertical.

Further information over page

IMPORTANT SAFETY INSTRUCTIONS
INSTRUCTIONS PERTAINING TO A RISK OF FIRE, OR INJURY TO PERSONS

WARNING - To reduce the risk of FIRE or INJURY:

1. Turn Off and allow to cool before replacing lamp.
2. Lamp gets hot quickly! Contact only switch/plug when turning on.
3. Do not touch hot lens, guard, or enclosure.
4. Keep lamp away from materials that may burn.
5. Do not touch the lamp at any time. Use a soft cloth. Oil from skin may damage lamp.

SAVE THESE INSTRUCTIONS. SEE OTHER SIDE FOR RE-LAMPING

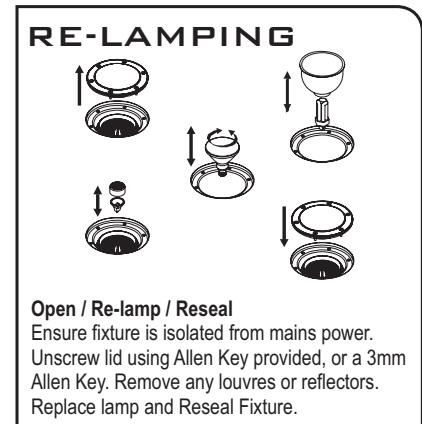
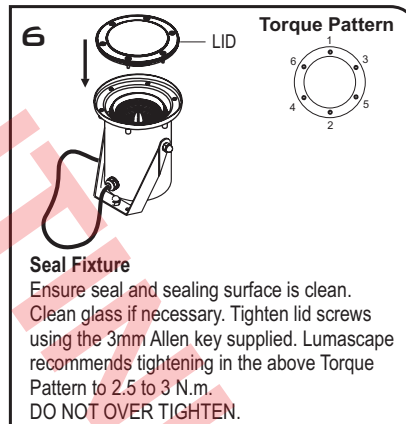
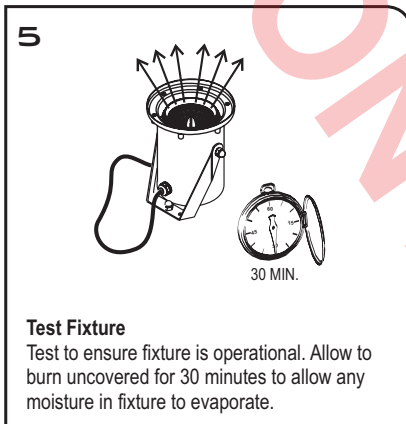
www.lumascope.com

B IMPORTANT INSTRUCTIONS

For Installation LS365: UNDERWATER

Warning: The Luminaire should only be used complete with its protective shield (cover)

Lumascope USA Inc.
1300 Industrial Rd., Unit #19
San Carlos, CA 94070, USA
T 1-(650)-595-LUMA(5862)
F 1-(650)-595-5820
E info@lumascope.com
W www.lumascope.com



LAMP SOURCE CONVERSION INSTRUCTION

