



The Faisca F3 is an intelligent, ultra-high-output marker light with a simple yet elegant design. The plug-and-play electrical connections enhance the quick and easy installation process by preventing incorrect connections. Leader cables of up to 492' (150 m) give greater flexibility during installation as power supplies and control equipment can be housed well away from the luminaires. High-quality Luxeon® LEDs achieve high-intensity colors that are beautiful, rich and vibrant. All 16 LEDs can be controlled independently to provide extremely dynamic twinkling effects.

From highlighting architectural elements to super-smooth crossfades and color flows, imagination is the only limit to what can be achieved with a combination of luminaires in a PowerSync™5 LV network.

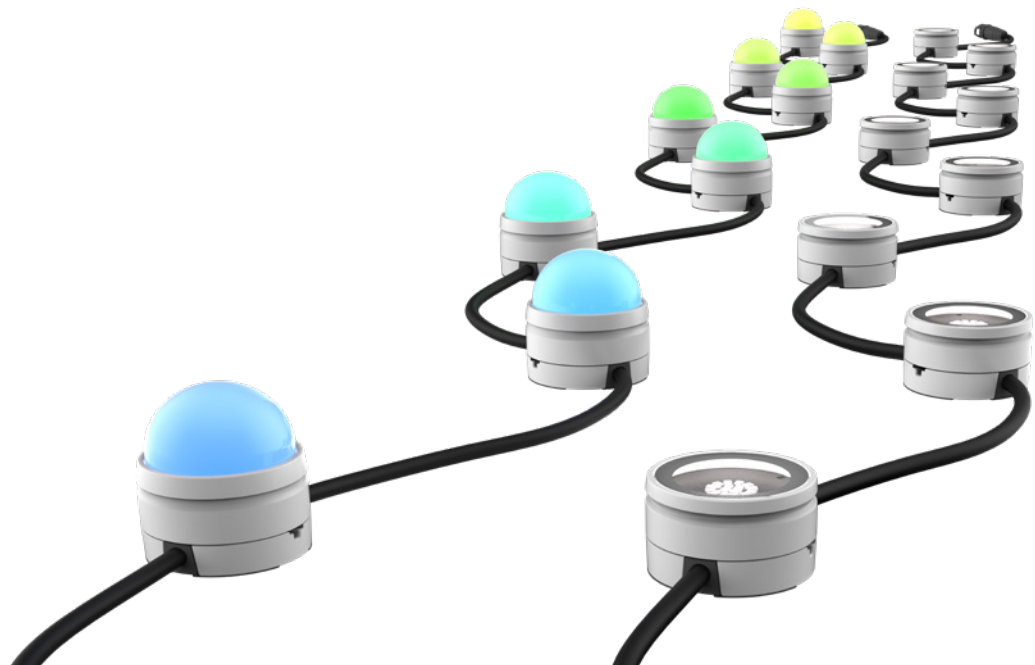
Performance

Static White & Color ¹	Transparent Flat Lens		Diffused Dome Lens	
	Lumen Output (lm)	Efficacy (lm/W)	Lumen Output (lm)	Efficacy (lm/W)
2,700 K (80 CRI)	335	82	200	47
3,000 K (80 CRI)	360	88	215	51
4,000 K (80 CRI)	405	98	240	57
5,000 K (80 CRI)	385	94	230	54

¹ Lumen output based on 5 W option

Dynamic Color ²	Transparent Flat Lens		Diffused Dome Lens	
	Lumen Output (lm)	Efficacy (lm/W)	Lumen Output (lm)	Efficacy (lm/W)
RGBA	215	48	130	29
RGBW (4,000 K) with Royal Blue	220	50	130	30

² Lumen output based on 5 W option



Products and specifications are subject to change without notice. LS9230-231102

Electrical

Power Consumption	< 3 W/node, < 5 W/node
Lifetime	> 60,000 hrs (B10, L70, TM21 Reported)
Input Voltage	30 to 48 Vdc
Thermal Management	CoolDrive™ onboard thermal monitoring and control

Control

Interface	Lumascape PowerSync™
Protocols¹	DMX/RDM, Artnet, sACN
PWM Frequency	20 kHz flicker-free dimming to 0.05%
RDM Functionality	PowerSync enabled Lumascape luminaires are shipped with a default RDM personality which provides smooth dimming control. For different dimming characteristics or to enable other special functionalities, the default personality can be changed through industry standard DMX/RDM.

¹ Some protocols require additional hardware. For more information and other available protocols contact Lumascape.

Physical

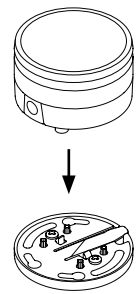
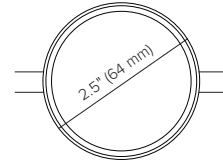
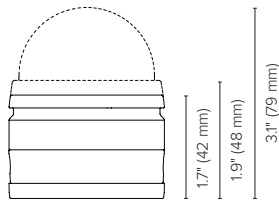
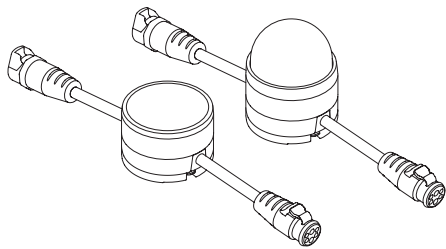
Housing	Marine-grade die-cast aluminum
Optics	Transparent flat lens with OptiClear™ glass or diffused dome lens with diffused UV-stabilized polycarbonate dome featuring UVShield™ technology
Finish	Superior 9-step powder-coating process, including marine-grade epoxy undercoat and polyester top coat
Installation	Surface-mounted
Adjustable	Constant torque adjustable luminaire head
Ambient Operating Temperature	-40°F to 122°F (-40°C to 50°C)
Surface Temperature	≤138°F (59°C)
Weight	0.55 lb (0.25 kg) per node

Certification & Compliance

IP Rating	IP66 / IP67 (Passes IP68 Test)
IK Rating	IK7 (Flat Lens – Transparent) IK9 (Dome Lens – Diffused)
Vibration Resistance	3G Rating (ANSI C136.31)
Environment	Dry, Damp, Wet locations
Certifications	UL, CE, RCM, FCC

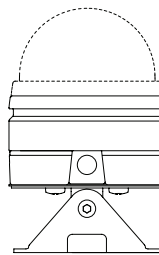
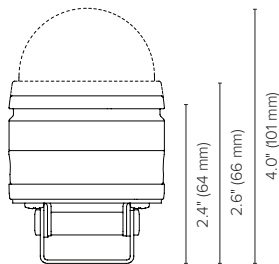
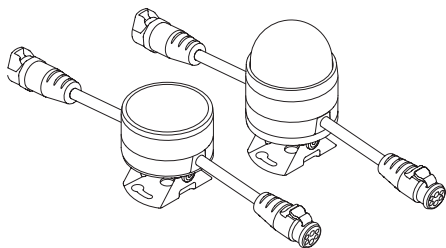
Mounting Types

Type S: Surface Mount (Side Entry Only)

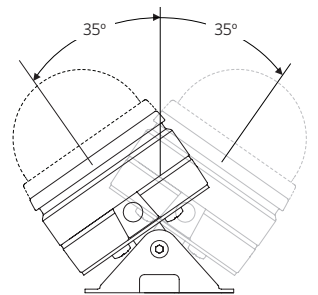


Preinstallation plate included

Type A: Adjustable Bracket (Side Entry Only)

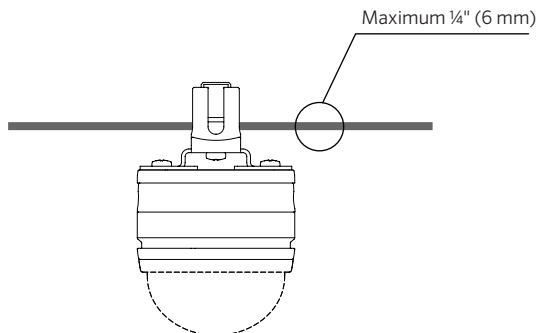
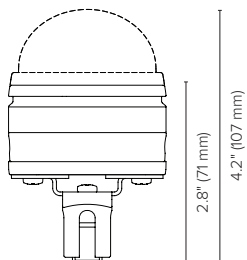
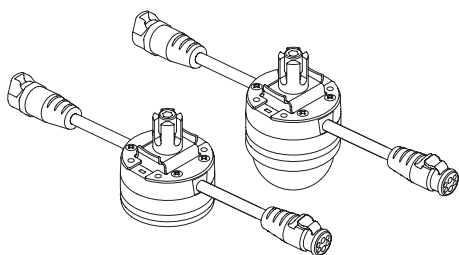


Side View



Rotation

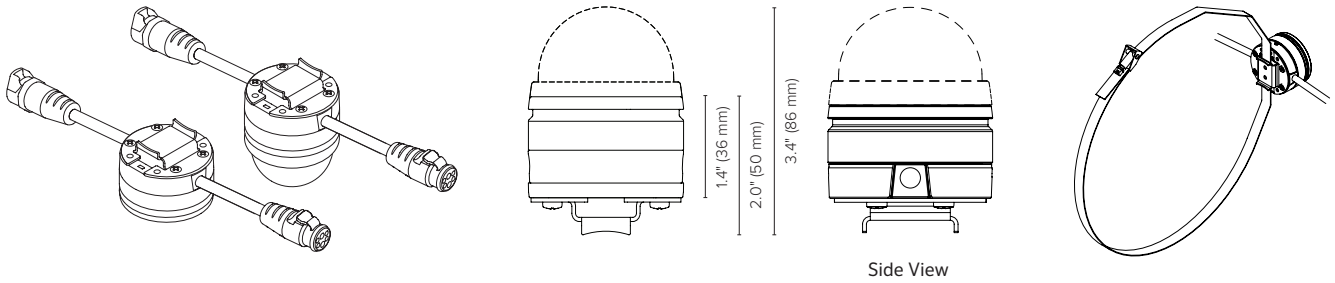
Type C: Catenary Mount (Side Entry Only)



Catenary wire or cable ties not included

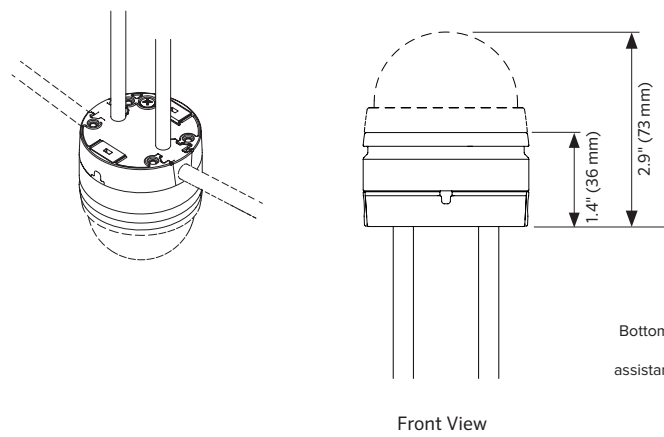
Dimensions

Type F: Strap Mount (Side Entry Only)



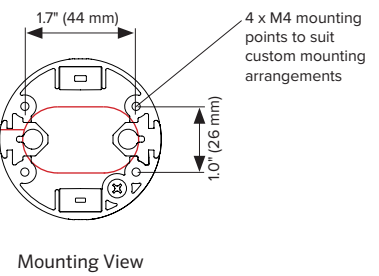
Strap not included

Type D: Screw Mount (Side or Bottom Entry)



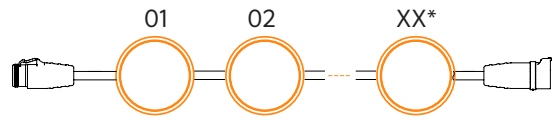
Note:
No mounting bracket is supplied. 4 x M4 screw points are provided for attaching to custom brackets and hardware.

Bottom entry consideration for custom bracket. Contact Lumascape for assistance with custom bracket design.

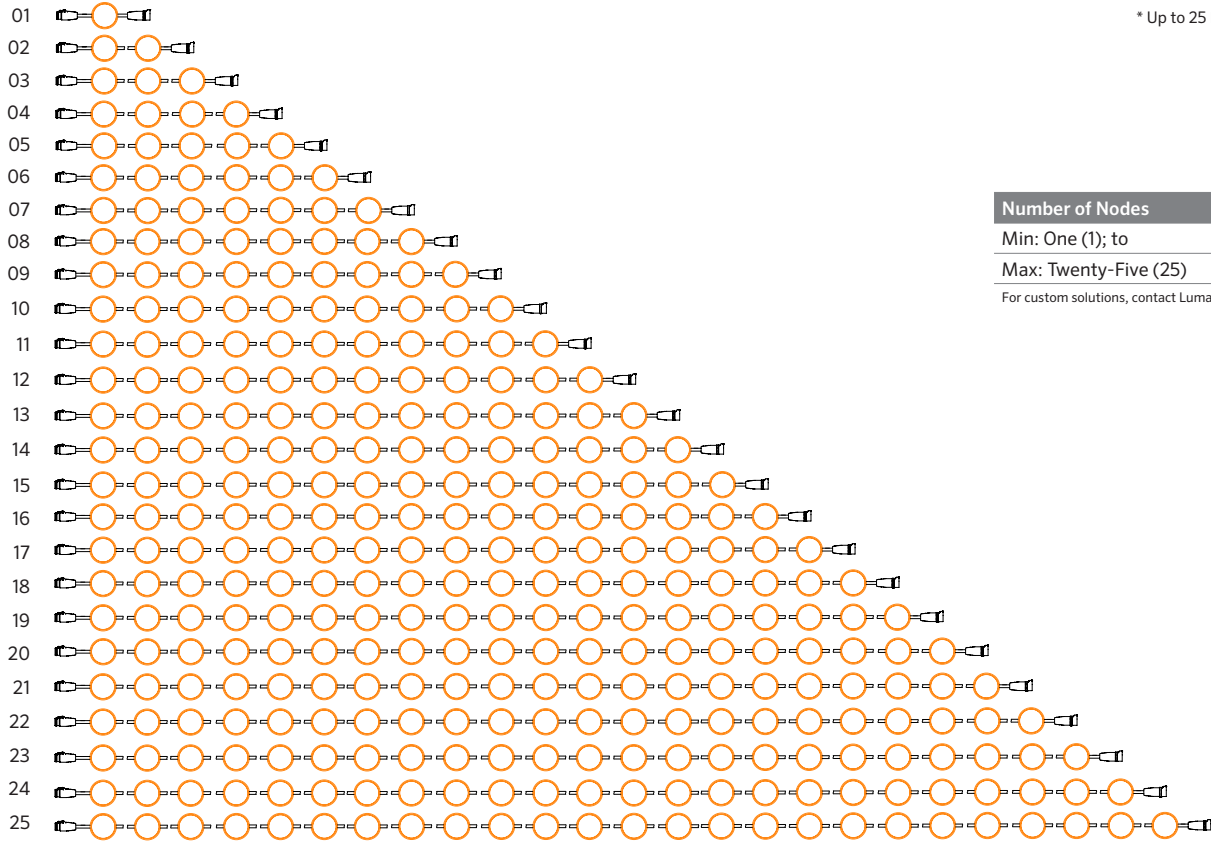


Number of Nodes

Total count of luminaires on one string



* Up to 25 Nodes per String

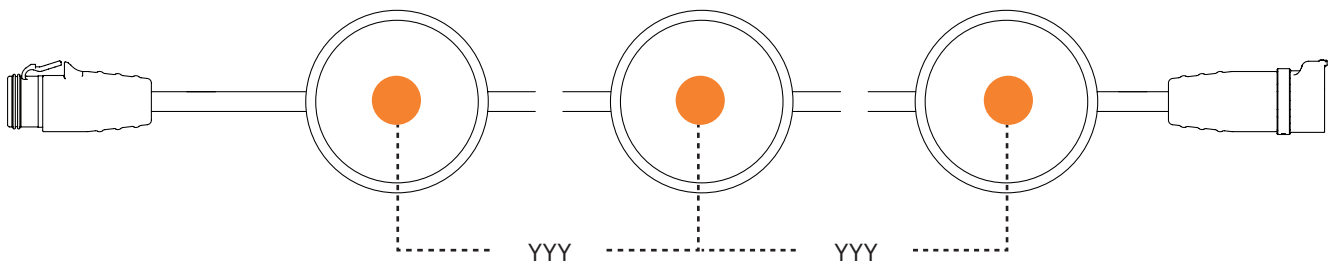


Number of Nodes	Code
Min: One (1); to	01
Max: Twenty-Five (25)	25

For custom solutions, contact Lumascape.

Pitch (Luminaire Gap)

Measured from the center of the light source to the center of the next light source.

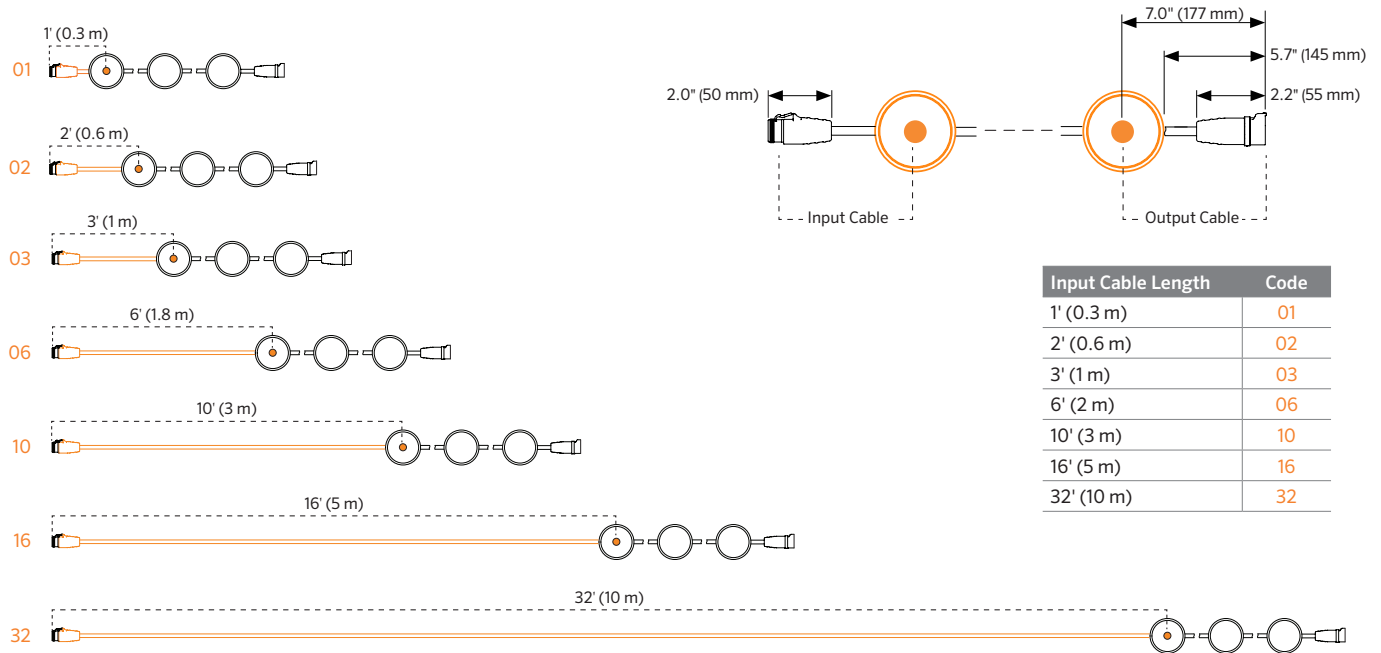


Pitch (Luminaire Gap)	Code
Min: 6" (152 mm)	006
Max: 48" (1,219 mm)	048

For custom solutions, contact Lumascape.

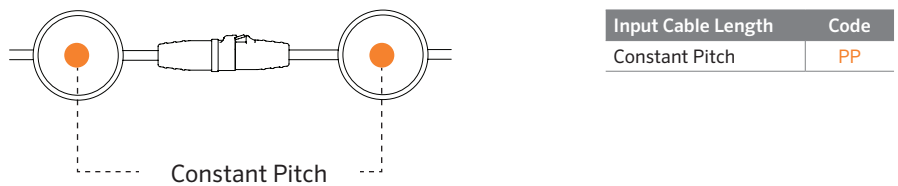
Input Cable Length

An input cable is measured from the input plug to the center of the first luminaire.

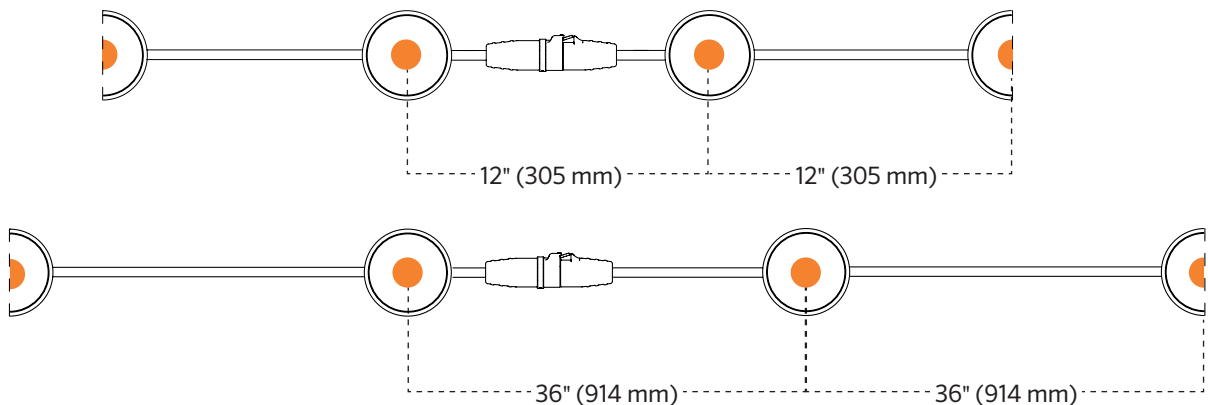


Input Cable: Constant Pitch Option (PP)

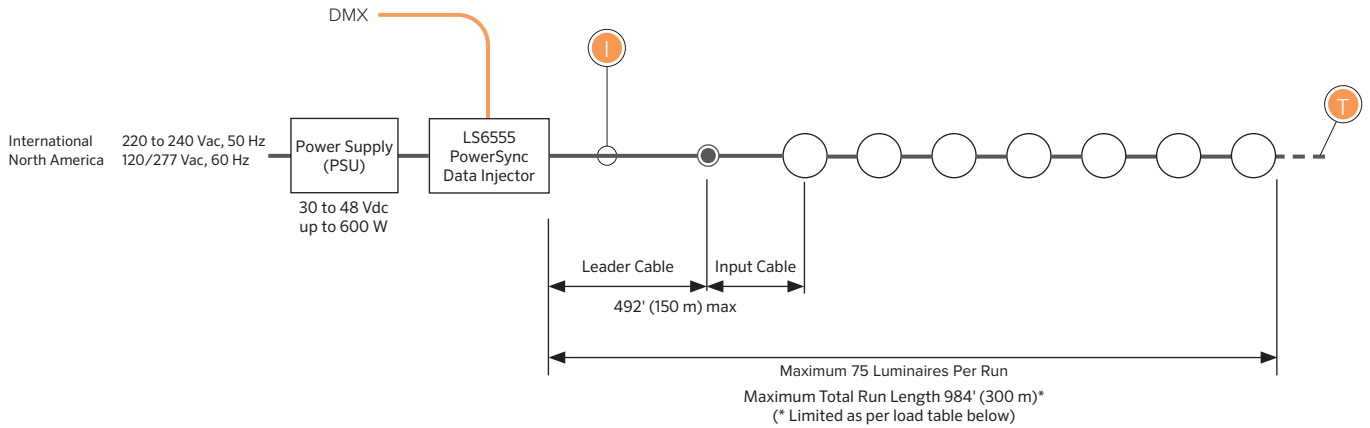
Measured from the center of the light source from the last luminaire on the previous string to the center of the first light source on the next string.



Input Cable: Constant Pitch (PP) Examples



Network Topology: Low Voltage 30-48 Vdc Dimmable and Color-Changing via PowerSync™5



- T Terminator**
Use PowerSync terminator, supplied with leader cable to terminate last luminaire in chain.
- I Maximum Current**
Maximum current through cables and connectors supplied by Lumascape:
≤12.8 A – Installations in North American Market (UL, ETL)
≤16 A – Installations in International Market (CE, CCC)
- Connection Type**
Circuits can be configured as either connectorized or hardwired. For details refer to installation instructions and comply with local electrical codes.

Maximum Circuit Load Table

		Supported Nodes Per Power Supply (PSU)				
Power Consumption	Max Leader Cable Length from LS6555 to first fitting	120 W	240 W	320 W	480 W	600 W
5 W/Node	164' (50 m)	15	30	40	50	50
	328' (100m)	15	25	30	35	35
	492' (150 m)	15	25	25	25	25
3 W/Node	164' (50 m)	30	55	65	75	75
	328' (100m)	25	45	50	50	50
	492' (150 m)	25	40	40	40	40

Values in the above table show the maximum circuit loading per 48 V circuit and based on 4.9' (1.2 m) pitch. Circuits are limited to maximum 12.8 A. For non-continuous runs, contact Lumascape for details.

Connectorized Accessories

Leader Cables – Low Voltage 30-48 Vdc

2-core, 16 AWG (1.5 mm²) plus 2 twisted pairs 23 AWG (0.34 mm²) leader cable suitable for use in CE and UL installations. Compatible with all luminaires with Type 43 connectorized supply cable options. Supplied fitted with an IP68 connector for pairing with the first connectorized luminaire in a Powersync™5, Low Voltage circuit. Comes complete with a matching End of Circuit, Powersync5, Low Voltage, Terminator Plug.

LS6445		-	[]	[]	
Cable Type	Code	Control Type	Code	Length	Code
2 x 16 AWG (1.5 mm ²) + 4 x Data	LS6445	Non-Dimmable	ND	10' (3 m)	010
		PowerSync	PV	16' (5 m)	016
				50' (15 m)	050
				66' (20 m)	066
				98' (30 m)	098

NOTE:
Leader cable ships with one (1) connectorized **LS6447** Powersync™ terminator.

Jumper Cables – Low Voltage 30-48 Vdc

2-core, 16 AWG (1.5 mm²) plus 2 twisted pairs 23 AWG (0.34 mm²) jumper cable suitable for use in CE and UL installations. Compatible with all luminaires with Type 43 connectorized supply cable options. Supplied fitted with an IP68 connector for pairing with the first connectorized luminaire in a Powersync5, Low Voltage circuit.

LS6446		-	[]	[]	
Cable Type	Code	Control Type	Code	Length	Code
2 x 16 AWG (1.5 mm ²) + 4 x Data	LS6446	Non-Dimmable	ND	1' (0.3 m)	001
		PowerSync	PV	2' (0.6 m)	002
				3' (1 m)	003
				4' (1.2 m)	004
				6' (2 m)	006
				10' (3 m)	010
				16' (5 m)	016
				26' (8 m)	026
				33' (10 m)	033

Connectorized Accessories

Terminators

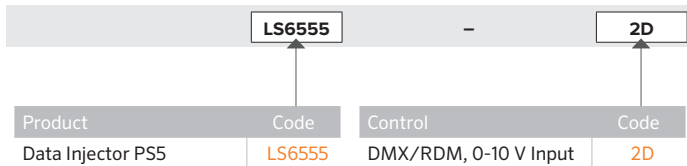
Product	Code
PowerSync™ Terminator Connectorized, Low Voltage 30 to 48 Vdc (CE, UL)	LS6447

NOTE:

PowerSync Terminator ships with every LS6555. Order separately for spare parts only.

PowerSync™ Low Voltage 30 to 48 Vdc Data Injector

Translates control signals into a digital format, delivering integral power and data to intelligent LED luminaires. This allows highly granular addressing and high-speed digital control of every luminaire, using only three wires. The data injector is DIN rail mountable designed to be installed in a switchboard, next to the power supply and circuit breaker that is supplying power to the controlled lighting circuit. Accepts a growing list of standard protocols (0-10 V, DMX/RDM) for simple integration with a wide selection of control systems using these industry standard protocols.



NOTE:

PowerSync Data Injector ships with three (3) hardwired terminators and one (1) hardwired DMX terminator.

Luminaire Wire Color & Designations

Low Voltage 30 to 48 Vdc

Designation	Color
Positive	Red
Negative	Black
Data +	Orange & White
Data -	Orange
Data GND	Green & White
Data GND	Green

