



The Quadralux Q8 Foundation is a very-high powered architectural-grade spotlight that combines technology and performance in a modern form factor. Packed with features including **EasyGlow™** visual comfort, and **CoolDrive™** thermal management technologies. Unique and flexible mounting with glare control accessories enable installation in multiple orientations. Designer optics, provide superb color-over-angle consistency and color blending even at close distances. Available with DALI, 0-10 V dimming or non-dimmable configurations.

Up to 1.2 Million Candela

Performance

Static White & Color ¹	Lumen Output (lm)	Efficacy (lm/W)	Peak Intensity (cd)
■ 2,700 K (80 CRI)	13,180	99	269,600
■ 3,000 K (80 CRI)	13,740	103	281,100
□ 3,500 K (80 CRI)	14,860	112	304,000
■ 4,000 K (80 CRI)	14,860	112	304,000
■ 5,000 K (70 CRI)	13,740	103	281,100

¹ Lumen output values are based on a 10° lens using DALI controls

4.5° Beam Angle (VN Option)

Static White & Color ¹	Lumen Output (lm)	Efficacy (lm/W)	Peak Intensity (cd)
■ 2,700 K (80 CRI)	10,360	88	1,019,300
■ 3,000 K (80 CRI)	10,810	92	1,062,700
□ 3,500 K (80 CRI)	11,690	99	1,149,400
■ 4,000 K (80 CRI)	11,690	99	1,149,400
■ 5,000 K (70 CRI)	10,810	92	1,062,700

¹ Lumen output values are based on a 4.5° lens using DALI controls

Beam Angles	4.5°, 5°, 10°, 15°, 30°, 45°, 65°, 10° x 40°, 40° x 10°, 10° x 60° 60° x 10°, 20° x 40° 40° x 20°, 20° x 60°, 60° x 20°
--------------------	---



Products and specifications are subject to change without notice.
LS9182-240306

Electrical

Power Consumption	119 W, 132 W
Lifetime	>60,000 hrs (B10, L70, TM21 Reported)
Input Voltage	International 220 to 240 Vac, 50 Hz North America 120/277 Vac, 60 Hz
Earth Leakage	0.29 mA @ 120 Vac, 0.48 mA @ 240 Vac, 0.35 mA @ 277 Vac
Thermal Management	CoolDrive™ onboard thermal monitoring and control

¹ Available on very narrow (VN) beam angle option

Control

Protocols	DALI® (International), 0-10 V (North America), Non-Dimmable
------------------	---

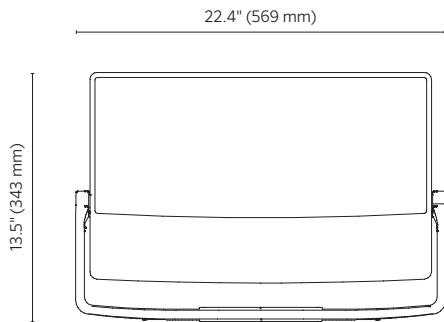
Physical

Housing	Marine-grade die-cast aluminum, tempered glass lens, isolated stainless-steel fasteners, adjustable mounting yoke (lockable) with mounting surface galvanic isolator
Finish	Superior 9-step powder-coating process, including marine-grade epoxy undercoat and polyester top-coat
Installation	Surface-mounted with included galvanic isolator
Adjustable	Adjustable mounting yoke
Ambient Operating Temperature	-40°F to 122°F (-40°C to 50°C)
Surface Temperature	≤138°F (59°C)
Weight	28.6 lb (13.0 kg)
Effective Projected Area	1.2 ft ² (0.1 m ²)

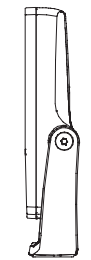
Certification & Compliance

IP Rating	IP66 / IP67 (Passes IP68 test)
IK Rating	IK10
Vibration Resistance	3G Rating (ANSI C136.31) <i>With optional 3G Bracket</i>
Environment	Dry, Damp, Wet locations
Certifications	ETL, CE, RCM, FCC

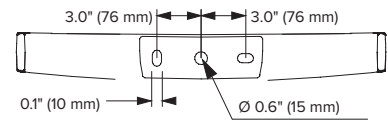
Dimensions



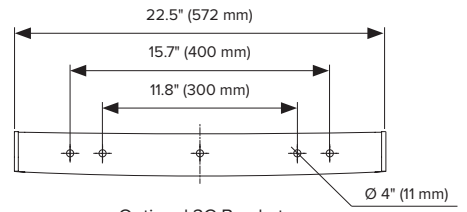
Front View



Side View

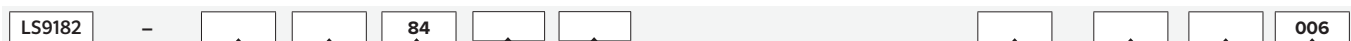


Standard Bracket



Optional 3G Bracket

Specification Matrix



Power Consumption	Code
119 W	119D ¹
132 W	132D

¹ Very narrow (VN) beam angle option only

Static White & Color	Code
2,700 K (80 CRI)	827
3,000 K (80 CRI)	830
3,500 K (80 CRI)	835
4,000 K (80 CRI)	840
5,000 K (70 CRI)	750

Connection Type	Code
Flexible, single entry cable for hardwired installations	84

Beam Angles	Code
4.5°	VN
5°	NX
10°	NR
15°	NM
30°	ME
45°	WD
65°	WF
10° x 40°	NH
40° x 10°	NV
10° x 60°	LH
60° x 10°	LV
20° x 40°	MH
40° x 20°	MV
20° x 60°	WH
60° x 20°	WV

Mounting	Code
Standard Bracket	S
3G Rated Bracket	G ¹

¹Also provides compatibility with Pole Clamp

Input Voltage	Code
220 to 240 Vac, 50 Hz (International)	01
120/277 Vac, 60 Hz (North America)	09

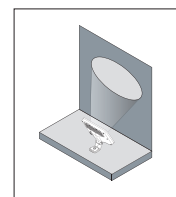
Control	Code
Non-Dimmable	ND
DALI (International)	DL
0-10 V (North America)	AH

Finish	Code
Black	BL
Anthracite Gray	AG
Basalt Gray	BT
Graphite Gray	GH
Anodic Silver	SL
White	WT
Dark Bronze	DB
Latte	LT
Dark Aluminum	DA
Custom RAL	CC ¹

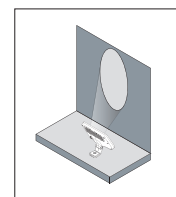
¹RAL color required

Cable Length	Code
6' (1.8 m)	006

For custom cable lengths, contact Lumascape for more information.



Beam Orientation for "LH", "NH", "MH" and "WH"



Beam Orientation for "LV", "NV", "MV" and "WV"

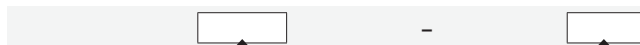
Accessories

Shielding & Glare Control

A range of shielding and glare control accessories are available for the Quadralux Q8 Spotlight.



Specification Matrix



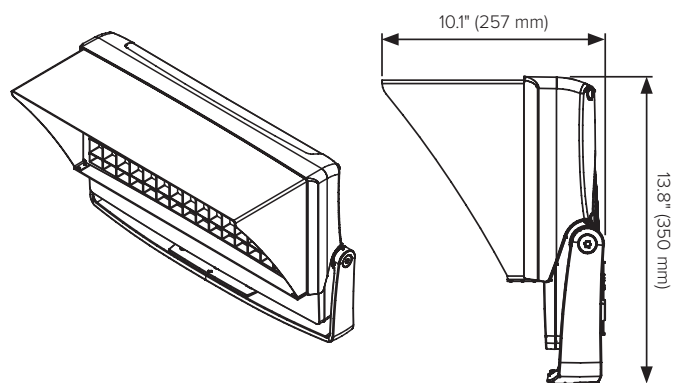
Louver Length	Code
Accessory Holder	LS6226
45° Visor	LS6228

Custom Visors are available on request. Contact Lumascape for more information.

Finish	Code
Black	BL
Anthracite Gray	AG
Basalt Gray	BT
Graphite Gray	GH
Anodic Silver	SL
White	WT
Dark Bronze	DB
Latte	LT
Dark Aluminum	DA
Custom RAL	CC ¹

¹RAL color required

Technical Drawings



Mounting Accessories

Pole Clamp (3G bracket must be used when using this mounting option)

Provides an easy method of installing the fixture onto a pole, while retaining full aiming and adjustability. Available in 4.0" (102 mm), 4.5" (114 mm) and 5.0" (127 mm) options.



NOTE:

3G Bracket **MUST** be used when using this mounting option

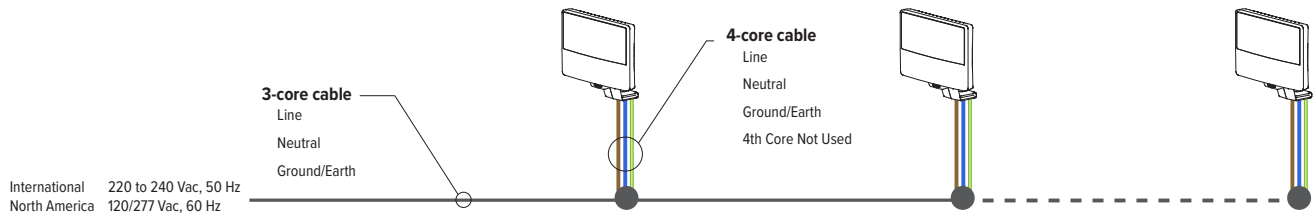
Specification Matrix

<div style="border: 1px solid gray; width: 50px; height: 20px; margin: 0 auto;"></div>		-	<div style="border: 1px solid gray; width: 50px; height: 20px; margin: 0 auto;"></div>	
Mounting Accessories		Code	Finish	
4.0" (102 mm) Pole Clamp		LS6318	Black	BL
4.5" (114 mm) Pole Clamp		LS6319	Anthracite Gray	AG
5.0" (127 mm) Pole Clamp		LS6320	Basalt Gray	BT
			Graphite Gray	GH
			Anodic Silver	SL
			White	WT
			Dark Bronze	DB
			Latte	LT
			Dark Aluminum	DA
			Custom RAL	CC ¹

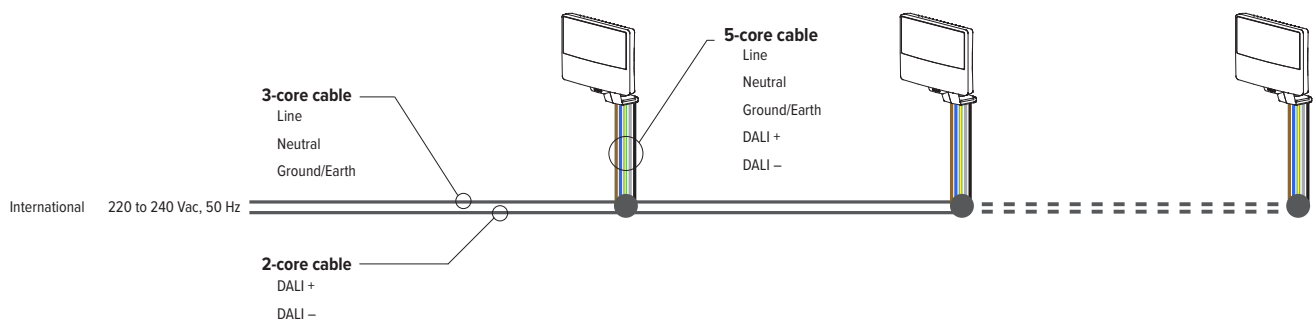
Luminaire must be ordered with a 3G rated bracket.

¹RAL color required

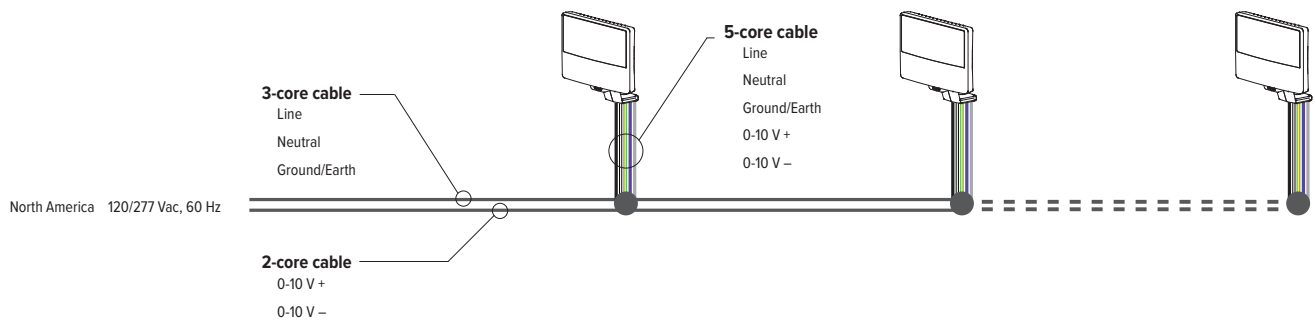
Network Topology – Non-Dimmable



Network Topology – Line Voltage 220 to 240 Vac DALI



Network Topology – Line Voltage 120/277 Vac 0-10 V



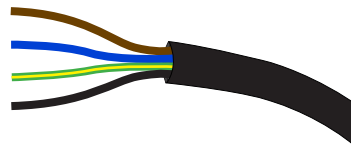
NOTE:

For all fixture wire colors and designations see page 9.

Luminaire Wire Colors & Designations

Line Voltage 220 to 240 Vac, Non-Dimmable - International

Designation	Color
Line	Brown
Neutral	Blue
Ground/Earth	Green / Yellow
Not used	Black



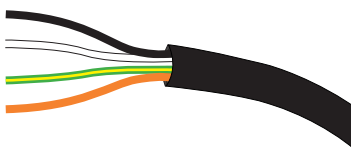
Line Voltage 220 to 240 Vac, DALI - International

Designation	Color
Line	Brown
Neutral	Blue
Ground/Earth	Green / Yellow
DALI +	Gray
DALI -	Black



Line Voltage 120/277 Vac, Non-Dimmable - North America

Designation	Color
Line	Black
Neutral	White
Ground/Earth	Green / Yellow
Not used	Orange or Red



Line Voltage 120/277 Vac, 0 to 10 V - North America

Designation	Color
Line	Black
Neutral	White
Ground/Earth	Green / Yellow
0-10 V +	Purple
0-10 V -	Pink or Gray

