

# INSTALLATION INSTRUCTIONS

## LS363LED: Direct Burial (line voltage)

INGRADE  
MODEL: LS363LED  
INPUT VOLTAGE: 120-277 V, 50/60 Hz



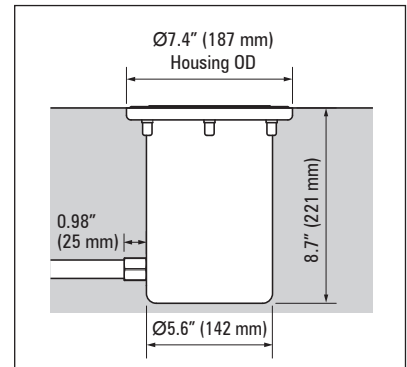
Warranty void if not installed per instructions and local electrical code

### WARNING

Install in accordance with National Electric Code, ANSI/NFPA 70 or the Canadian Electrical Code, Part I (CEC), CSA C22.1

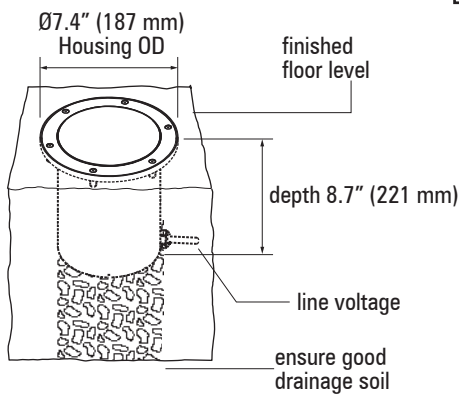
### CAUTION

- The luminaire should only be used complete with its protective shield (cover)
- If cable is damaged replace with cable supplied by Lumascope only.
- Do not use power tools to tighten screws.
- Do not exert downward force on screws while not fully tightened.
- Do not overtighten screws.



#### 1. Locate Luminaires

Site luminaire, in proximity to cabling, in gravel, soil or concrete. Use discretion in locating luminaires as glass can become very hot and may burn.

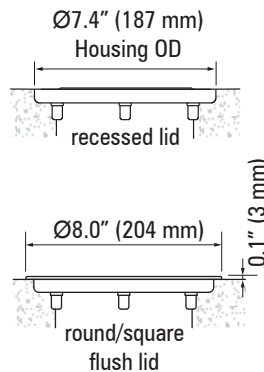


#### 2. Supply Connection

Connect 1/2" NPT conduit adaptor ensuring watertight seal.

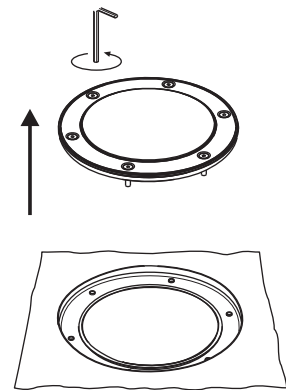
#### 3. Mount Luminaire

Mount luminaire such that the top lip of flange is flush with finished floor level, as shown below.



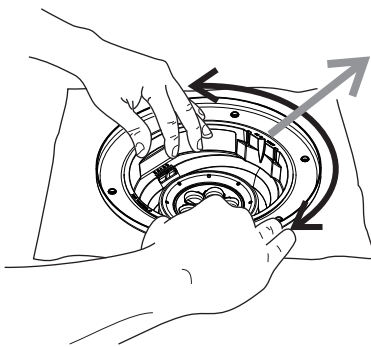
#### 4. Isolate and Open Luminaire

Loosen screws with allen key provided. If necessary, gently lever lid out with large screwdriver. Remove components as shown.



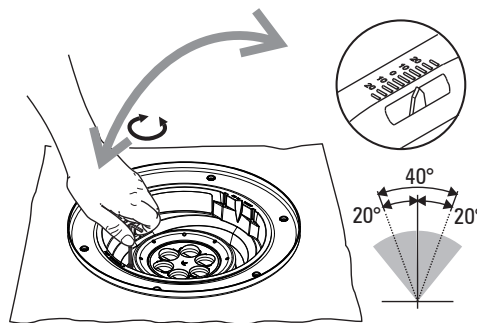
#### 5. Aim Gimbal 1

Rotate gimbal until the *Aiming Mark* is aimed as desired.



#### 6. Aim Gimbal 2

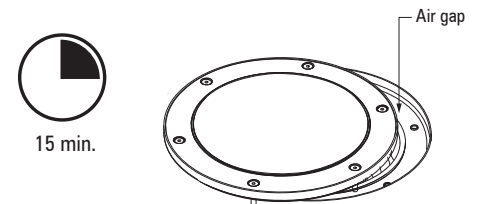
Adjust gimbal tilt angle by rotating *Tilt Adjust* screw with Allen key supplied. Approximate angle can be read from the *Tilt Angle Indicator*.



#### 7. Run luminaire

Lay lid partially over luminaire to allow a gap for any moisture present to evaporate prior to sealing. Connect to supply and allow to burn for 10-15 minutes. Seal luminaire.

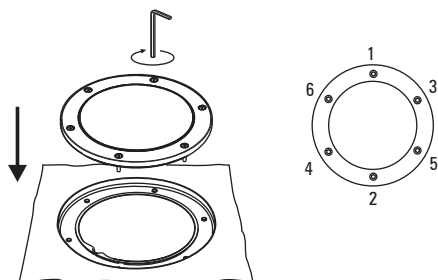
**IMPORTANT - DO NOT ENERGISE WITHOUT PARTIALLY COVERING LAMP**



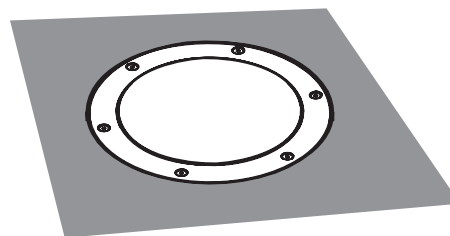
Should you experience any difficulty, please contact Lumascope directly: phone (866) 695-5862 or email [info@lumascope.com](mailto:info@lumascope.com)

## IF IN DOUBT, PLEASE CALL

- 8. Seal luminaire.**  
 Seal immediately after de-energising. Ensure seal and sealing surface is clean. Clean glass if necessary. Tighten lid screws using the 3 mm allen key supplied. Lumascape recommends tightening in the below torque pattern  
**Do not overtighten screws, 4 Nm max.**

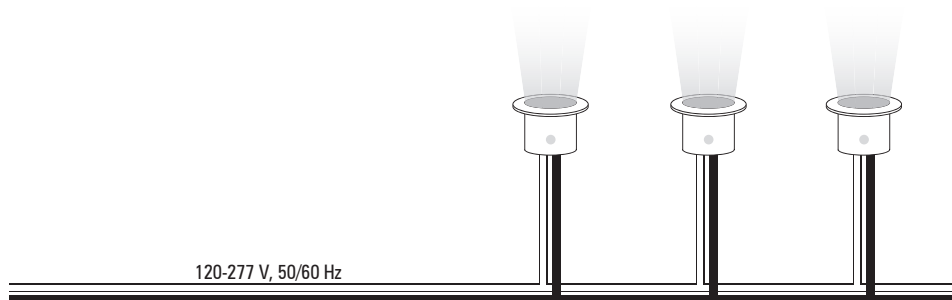


- 9. Finished Appearance**



## Wiring

Line Voltage LED Luminaire



NOTE: The above diagram is intended to show electrical pathways between luminaires and ancillary devices. This diagram is not intended to show type or color of cord/wire, wire gauge or approved use of the cord/wire supplied with luminaires.

**Consult the luminaire-specific cutsheet or the factory for detailed specifications.**

Should you experience any difficulty, please contact Lumascape directly: phone (866) 695-5862 or email [info@lumascape.com](mailto:info@lumascape.com)

**IF IN DOUBT, PLEASE CALL**

[www.lumascape.com](http://www.lumascape.com)