



SECTION A

INSTALLATION INSTRUCTIONS
PRE - INSTALLATION BLOCKOUT



LS3152
Linear Inground Luminaire

READ ALL SAFETY INSTRUCTIONS FIRST

- › Follow instructions carefully, failure to do so will void warranty.
- › Ensure installation complies with local law and applicable standards.
- › Input voltage range:
International: 224-240 V AC 50 Hz
North America: 120/277 V AC 60 HZ
- › Only use Lumascape power supply, control equipment and leader cables.
- › Ensure mains input power is surge protected.
- › Never make connections whilst the power is connected.
- › Do not make modifications or alter the product.
- › Keep luminaire clean and free of debris.
- › Connectors are to be kept clean and dry at all times.
- › Once installed, all connectors are to be mated and a terminating plug is required on the last fitting of run.

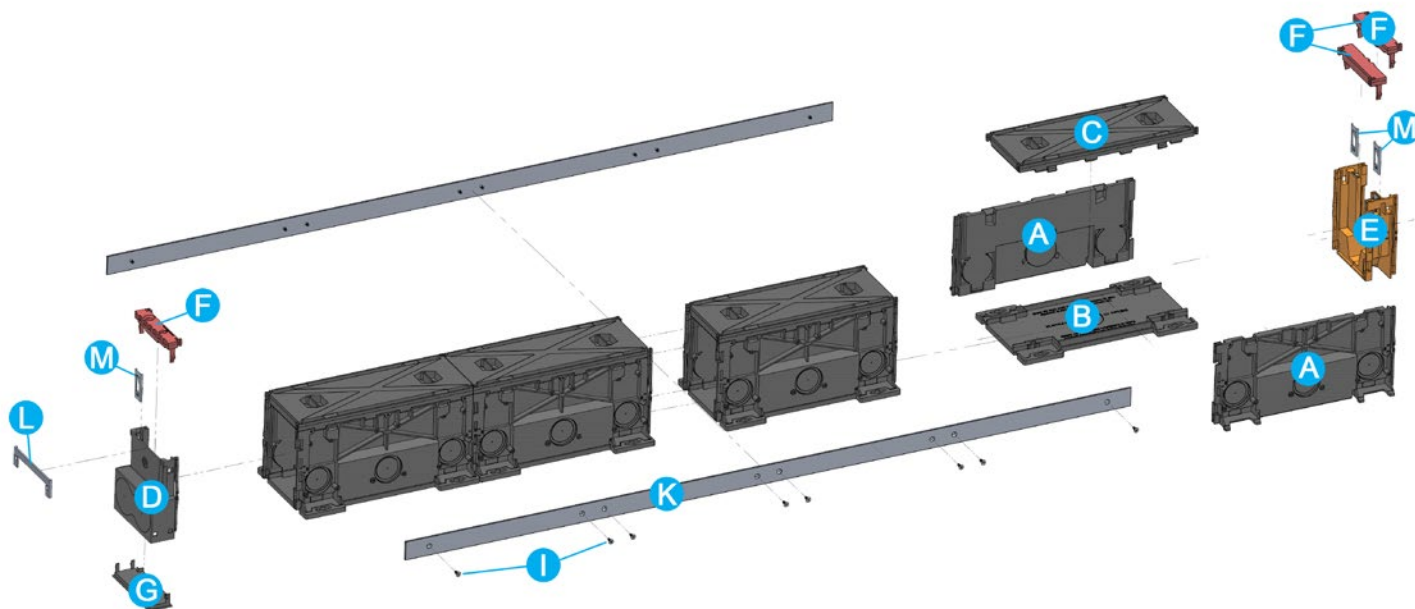
Component Overview

Below is an exploded view of the pre-installation kit for the TE5 Terraluz linear inground luminaire. The diagram shows all of the components used in a typical pre-installation setup.

As a general rule one Bottom Plate (B), two Side Plates (A) and a Top Cover (C) are combined to build a segment. A single segment is a foot long and will be of sufficient length to accommodate a one foot luminaire. Finished segments are combined to cater for two, three and four foot luminaires. Section Joiners (E) are used to join adjacent sections. Section lengths must match luminaire lengths.

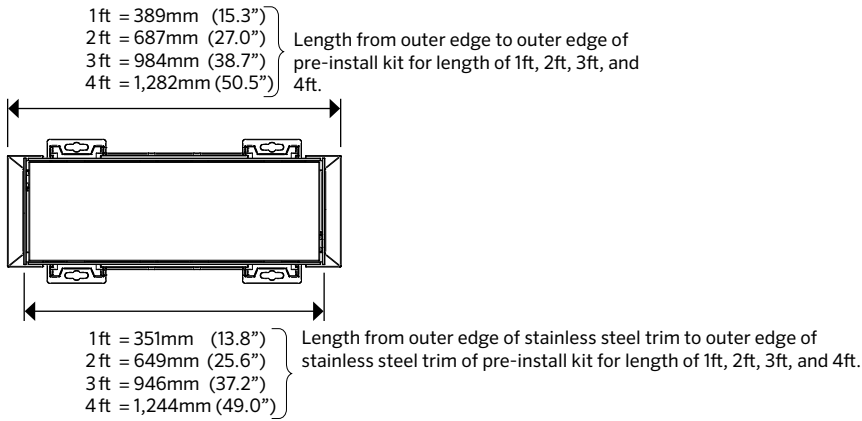
End Caps (D) are required for each end of a 'stand alone' section, as well as each 'end to end' section. A Small Top Cover (F) and a Small Bottom Plate (G) are needed to seal the end cap above and below; this is referred to as an end cap assembly.

Plastic parts will have a letter moulded into the part to help with assembly instruction and part identification on site.

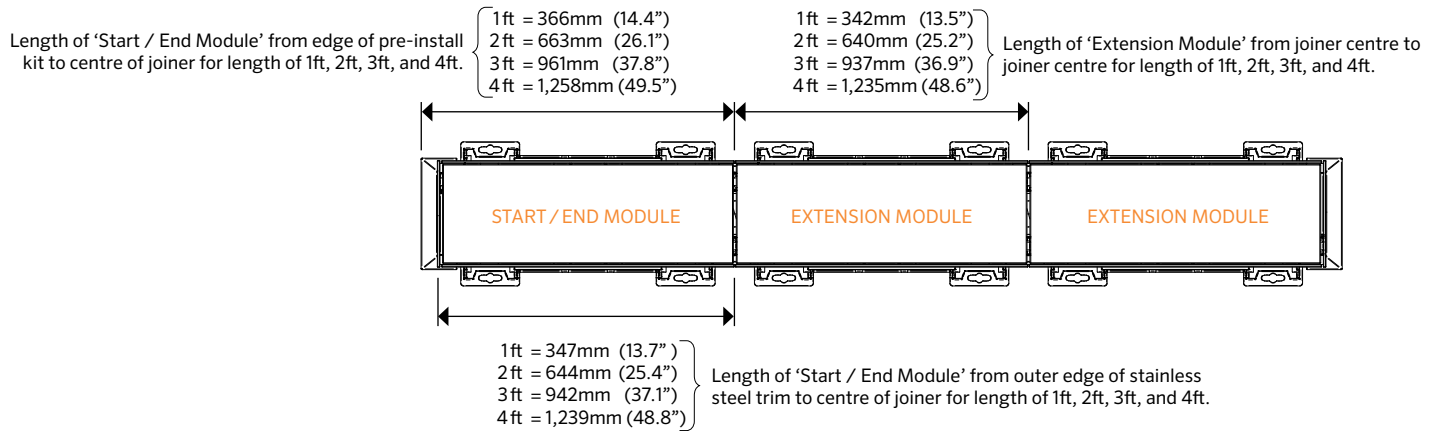


A	Side Plate	RM4792	I	SS Screw	RM4727
B	Bottom Plate	RM4792	K	SS Trim - 1ft	RM4699-A
C	Top Cover	RM4793		SS Trim - 2ft	RM4699-B
D	End Cap	RM4696		SS Trim - 3ft	RM4699-C
E	Section Joiner	RM4705		SS Trim - 4ft	RM4699-D
F	Small Top Cover	RM4795	L	SS Trim Endcap	RM4698
G	Small Bottom Plate	RM4843	M	Spring Clip	RM4709

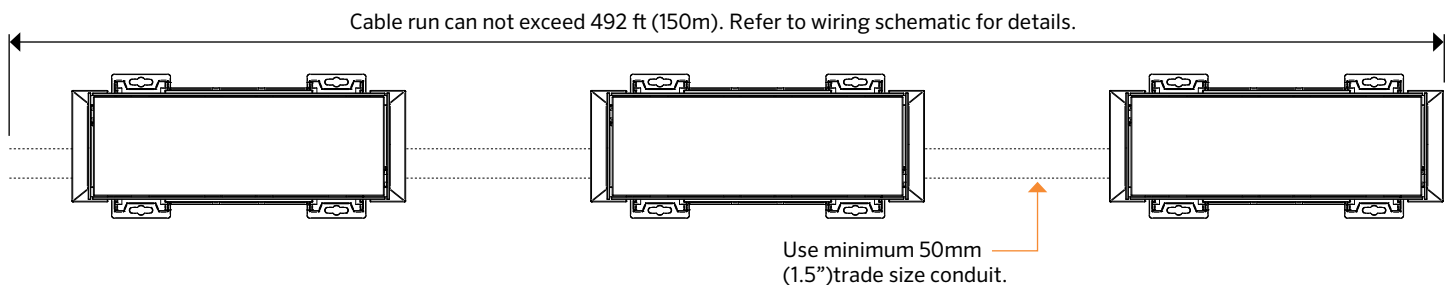
Configurations

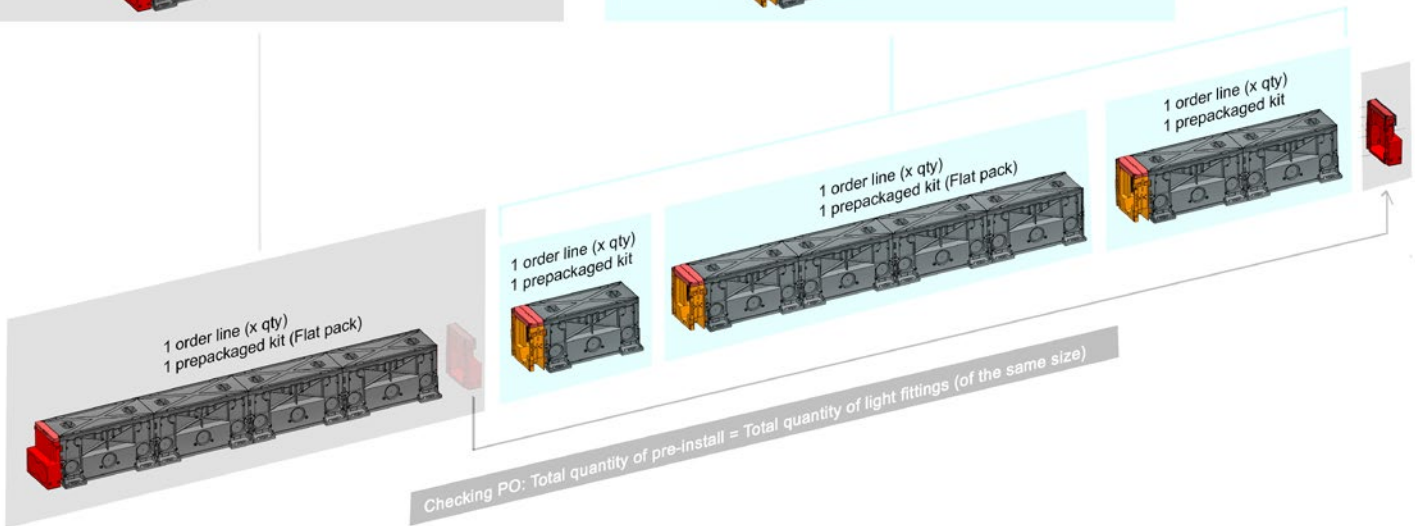
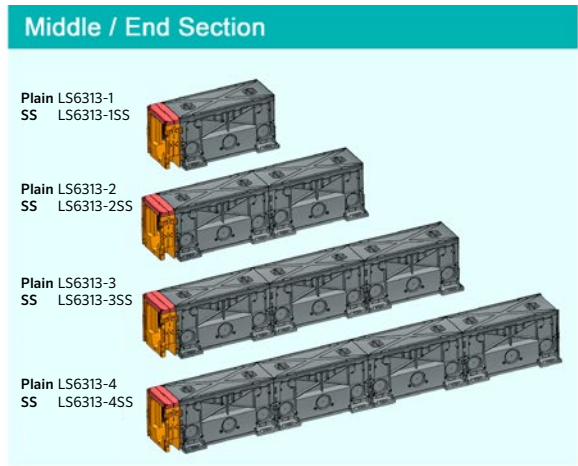
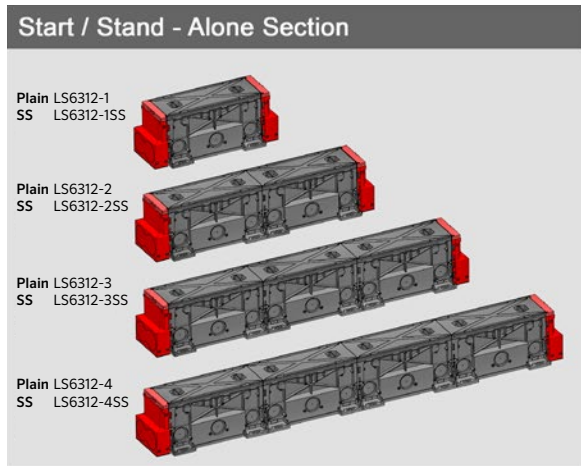


End to End Configuration

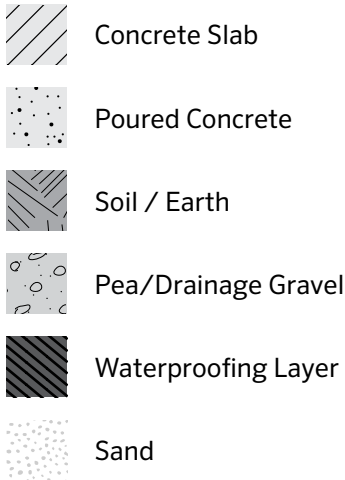


Configurations with Jumper Cables

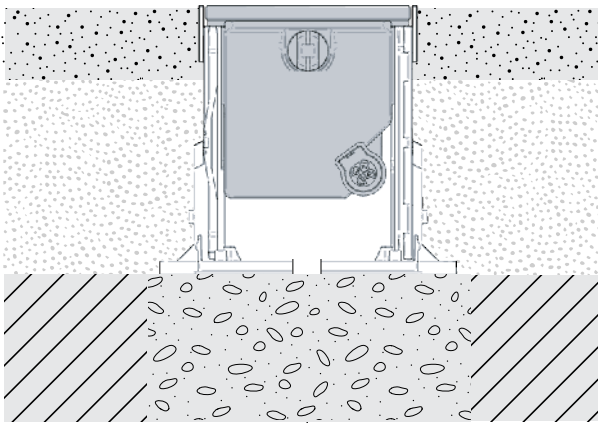




Drainage Requirements and Other Restrictions

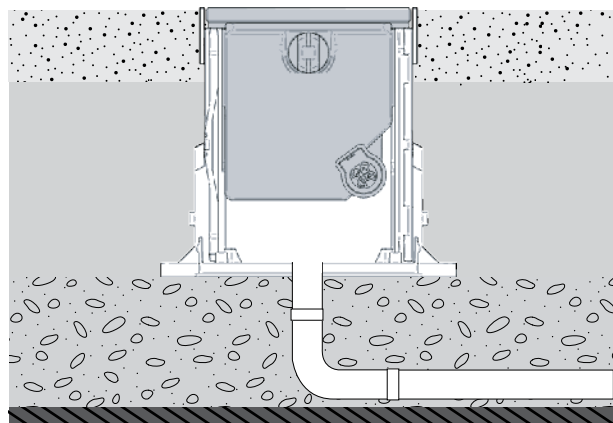


Paver/Stonework



3/4" hole, minimum 1 per 4' (cut on site)

Above Waterproofing

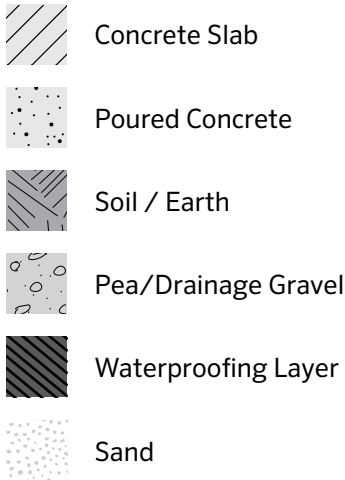


Piped draining required for locations not able to freely drain through gravel (above waterproofing, clay base, etc).

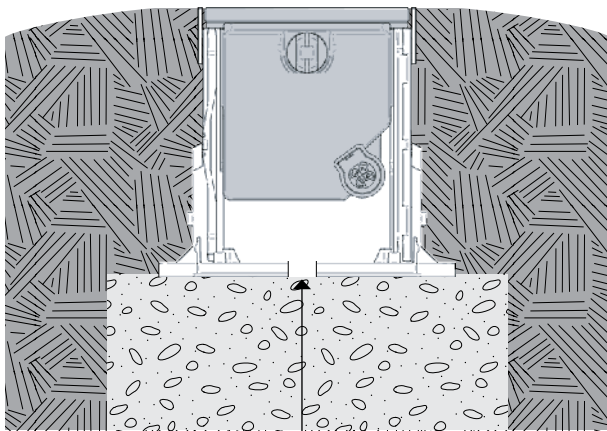
Important Information

- Fill luminaire block-out with water to test drainage effects. Water must drain entirely.
- To prevent water accumulation, do not install at a location where site is hollow.
- Do not use fertilizer or corrosive chemicals adjacent to luminaire.
- Not suitable for drive-over.

Drainage Requirements and Other Restrictions

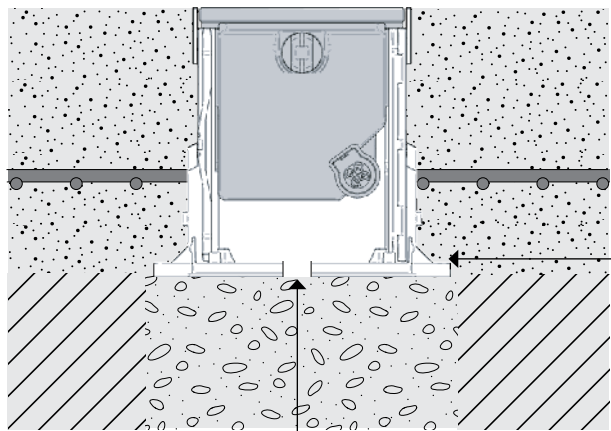


Landscape/Softscape



3/4" hole, minimum 1 per 4' (cut on site)

Concrete



3/4" hole, minimum 1 per 4' (cut on site)

Rebar Tie Points

Important Information

- Fill luminaire block-out with water to test drainage effects. Water must drain entirely.
- To prevent water accumulation, do not install at a location where site is hollow.
- Do not use fertilizer or corrosive chemicals adjacent to luminaire.
- Not suitable for drive-over.

Building Channels

Step 1 Place the base plate (B) flat on the ground.



Step 2 Insert feet of side plate (A) into base plate (B) and rotate until the part snaps into place.



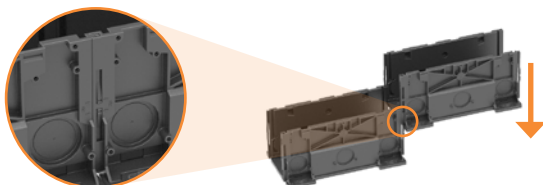
Step 3 Repeat previous step on opposite side.



Step 4 You have now constructed a complete 1ft channel.



Step 5 Slide 1ft channels together to built 2ft, 3ft and 4ft pre-installation channels. Section lengths must match ordered fixture lengths.



Step 6 Channels for 1ft, 2ft, 3ft and 4ft luminaires.



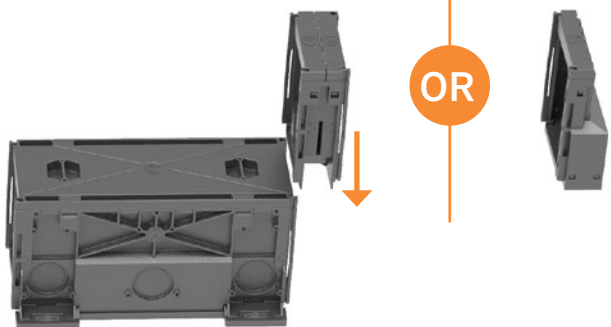
Step 7 Complete the section with an end cap on one side and a section joiner or and end cap on the other side.

Section Joiner

Use to add a channel for another luminaire

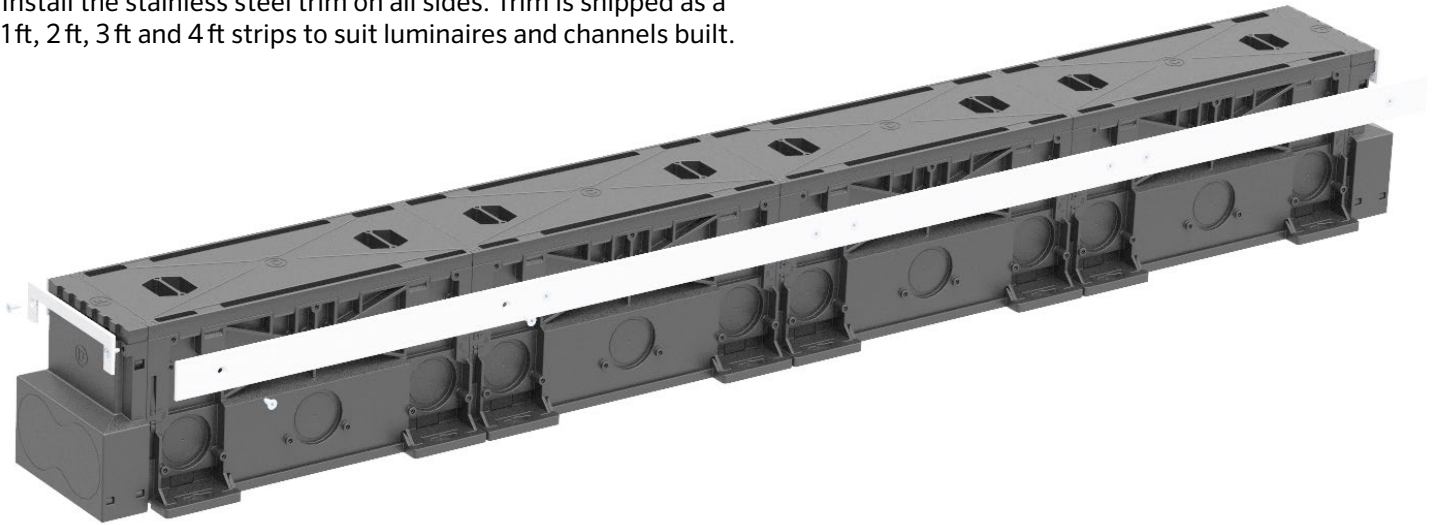
End Cap

Use to start and end stand-alone sections and continuous runs.



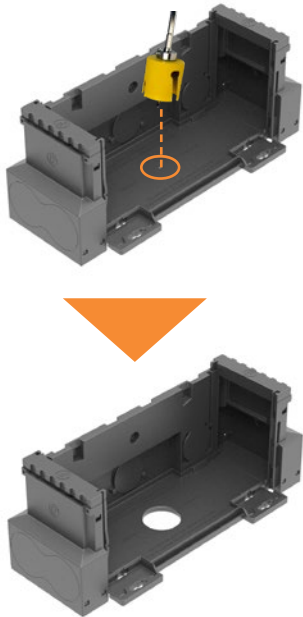
Installing Stainless Steel Trim (SS Kits Only)

Install the stainless steel trim on all sides. Trim is shipped as a 1ft, 2ft, 3ft and 4ft strips to suit luminaires and channels built.

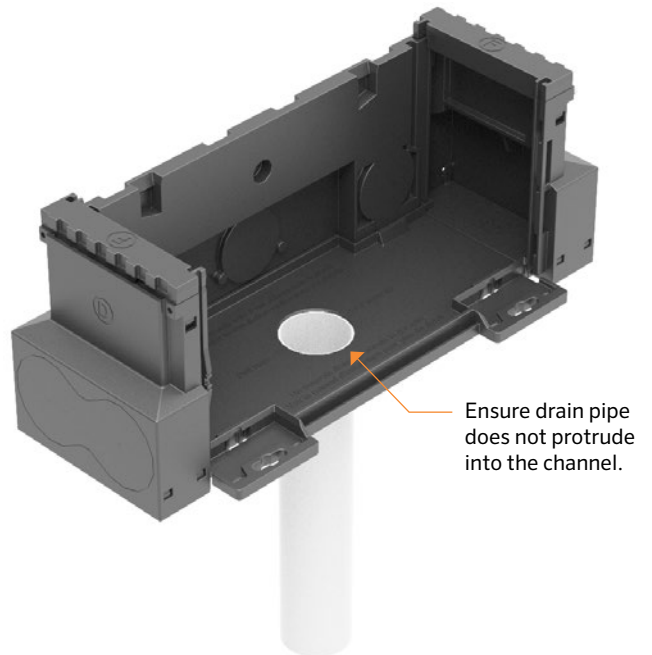


Drainage Requirements

Step 1 Use a hole saw to drill out a hole and allow access for a drain pipe.

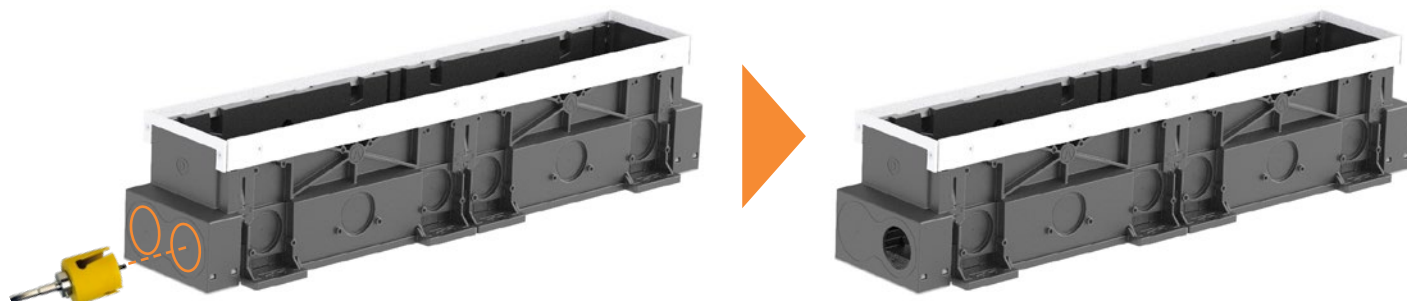


Step 2 Connect the pre-installation channel to the drain pipe and seal with silicone.



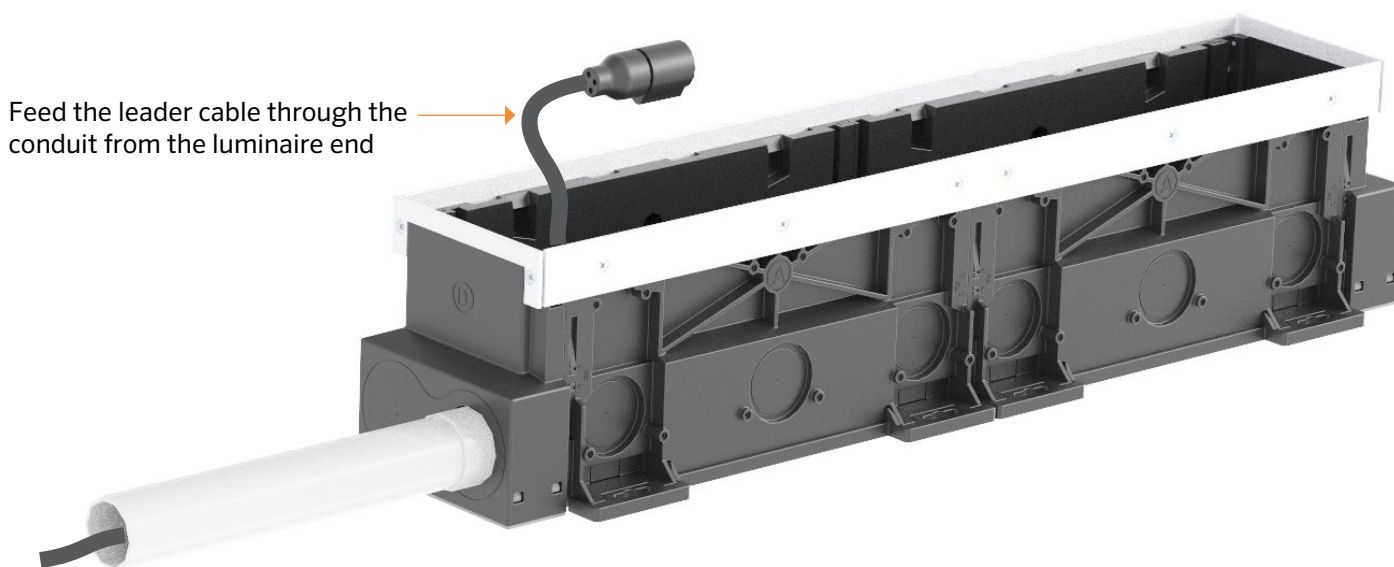
Install Electrical Conduit

Step 1 Use a hole saw to drill out a hole and allow access for the electrical conduit.



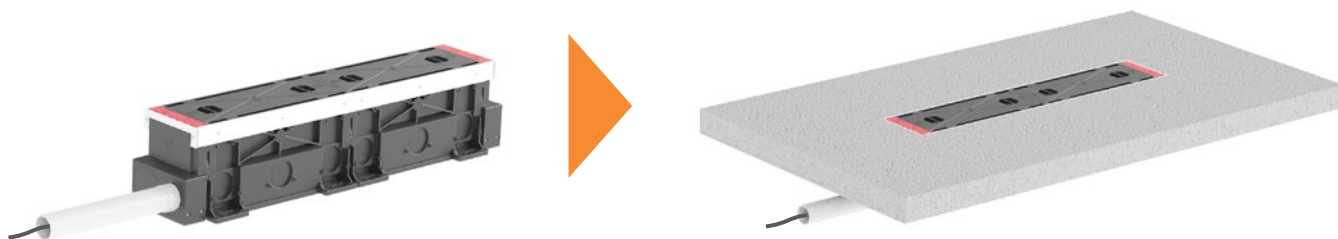
	Trade Size Clearance w/o connector	Trade Size Clearance with connector
North America	0.75"	1.5"
EMEA	25 mm	50 mm

Step 2 Connect the electrical conduit to the pre-installation channel and seal with silicone as required. Note: Leader cable ships with connector attached. It is recommended to feed the leader cable through the conduit from the luminaire end.

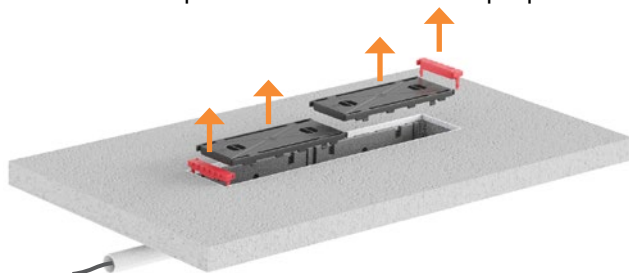


Install Luminaire

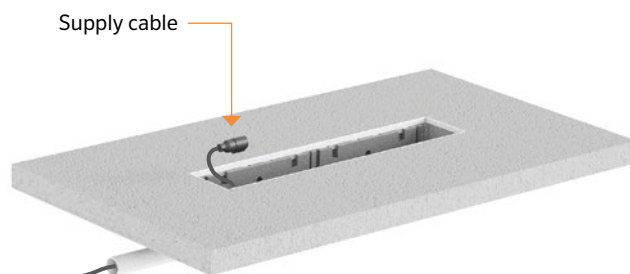
Step 1 Your assembled pre-install kit has been placed in the ground, drainage and a supply have been connected and concrete has been poured.



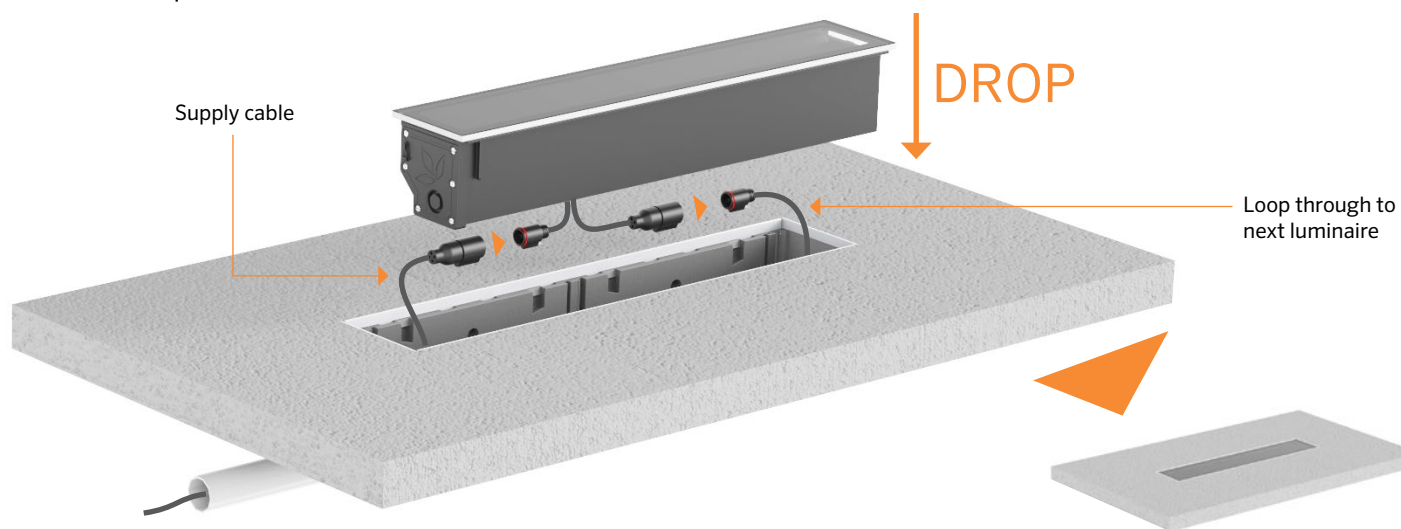
Step 2 Remove the temporary covers from the pre-install kit. Make sure you do not forget the small covers in the end. Covers are recyclable and should be kept for client maintenance purposes.



Step 3 Find the supply cable to connect the luminaire.

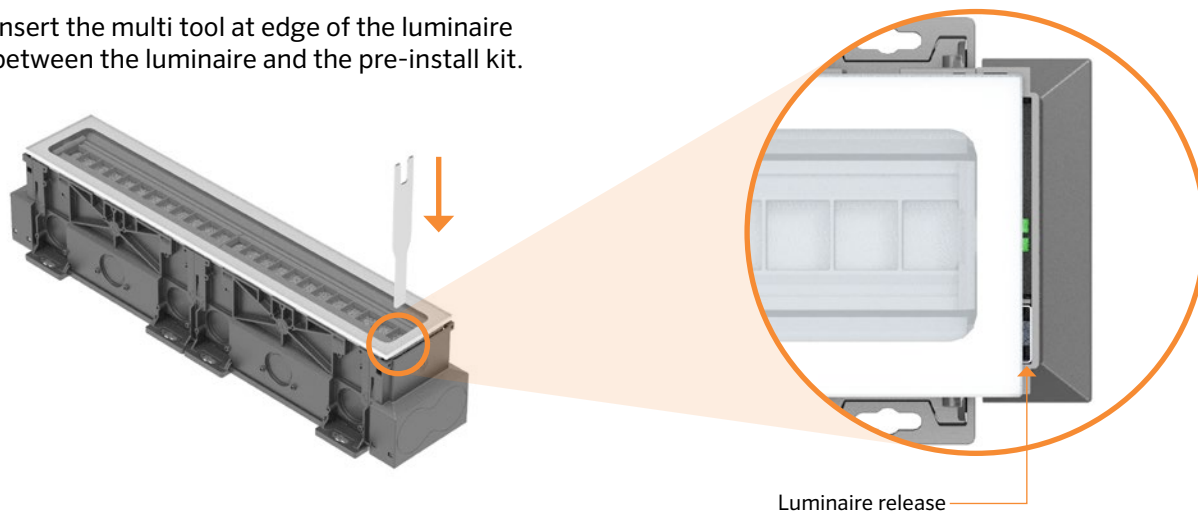


Step 4 Connect luminaire to supply cable and either loop through to next luminaire or terminate the luminaire run. Drop the luminaire into the pre-install kit. The luminaire can be rotated by 180° around the vertical axis if required.



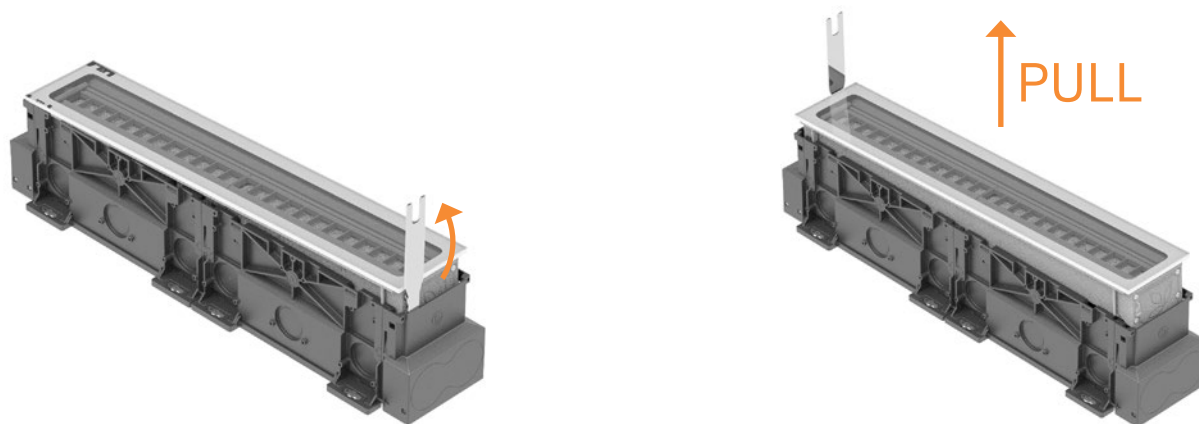
Luminaire Removal

Step 1 Insert the multi tool at edge of the luminaire between the luminaire and the pre-install kit.



Step 2 Push down and the luminaire will release. With the tool still in place lift out the luminaire on the one side. Support the removed luminaire and remove the tool. Letting the luminaire slip back into the pre-install kit will lock it back into place.

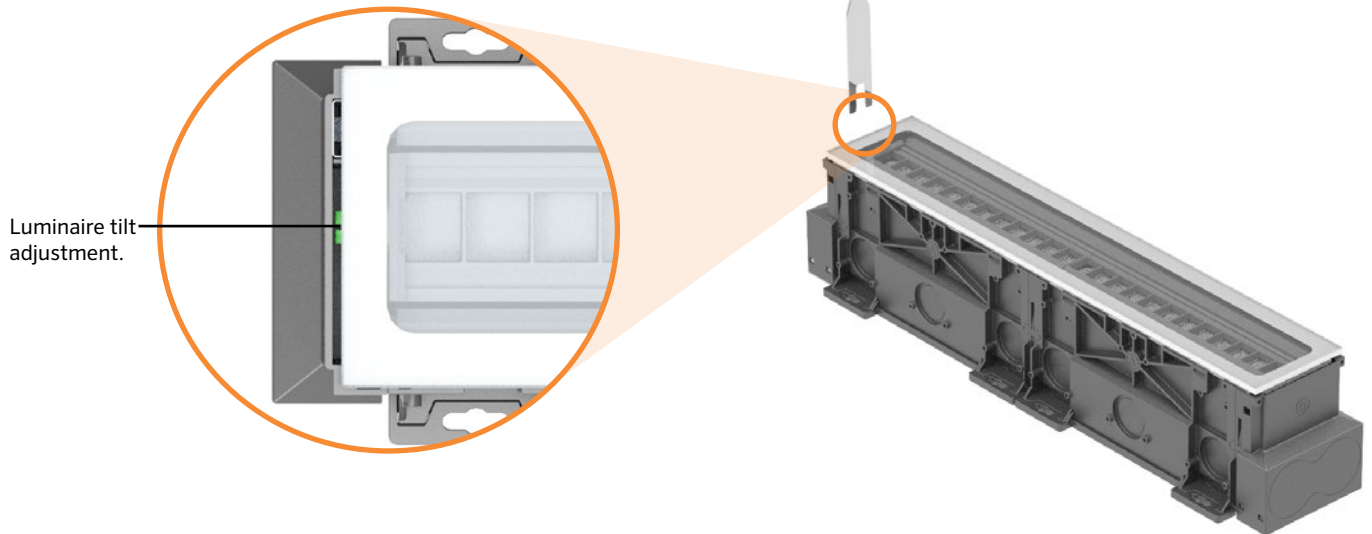
Step 3 Repeat the process diagonally across on the other side and pull out the luminaire. To completely remove the luminaire you will have to disconnect the cables. One of the connections is located beneath the adjacent luminaire. For larger luminaires, suction cups can be used to aid the removal process.



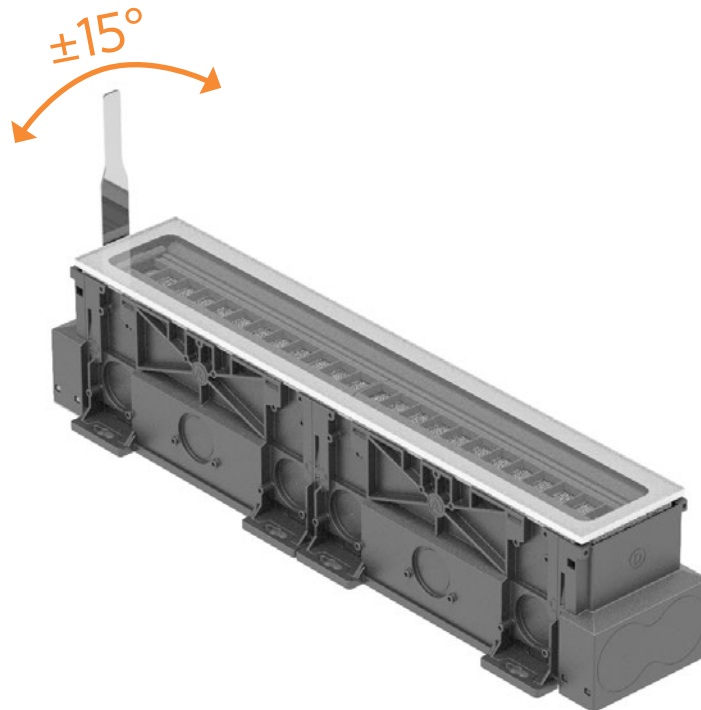
IMPORTANT: If the luminaire is to be removed, ensure a jumper cable is available to bridge the circuit, and the temporary covers are re-installed to cover the hole.

Adjust Optical System Tilt

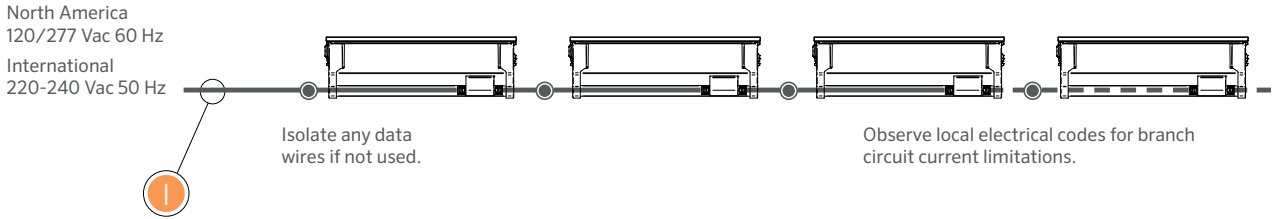
Step 1 Insert the multi tool on centre edge of the luminaire between the luminaire and the pre-install kit.



Step 2 Rotate to adjust luminaire tilt.



Network Topology



Maximum Circuit Load

Maximum Number of Fixtures per Circuit		Maximum Current					
Luminaire Length	LED Power	120 V		240 V		277 V	
		12.8 A	16 A	12.8 A	16 A	12.8 A	16 A
1 ft (339 mm)	16 W	45	45	45	45	45	45
2 ft (637 mm)		32	40	45	45	45	45
3 ft (934 mm)		21	26	43	45	45	45
4 ft (1,232 mm)		16	20	32	40	37	45

All connectorized options in North America are limited to 12.8A branch circuit load. Cumulative earth leakage and voltage drop may need to be calculated. For non-continuous runs contact Lumascape for details. Local wiring rules and requirements may limit circuit loadings refer to relevant electrical parameters to calculate.

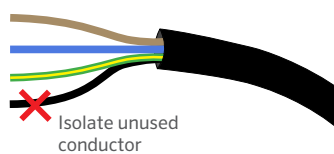
I Maximum Current
 ≤16.0A - International market
 ≤12.8A - North American market

● Connection Type
 Circuits can be configured as either connectorised. Ensure installation complies with local electrical codes.

Fixture Colors & Wiring Designations

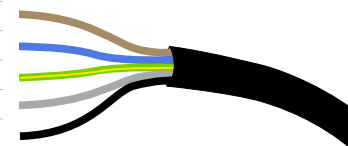
Non-Dimmable Line Voltage 220 to 240 Vac - International

Designation	Color
Line	Brown
Neutral	Blue
Ground/Earth	Green / Yellow
Not used	Black



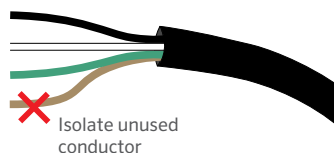
DALI Line Voltage 220 to 240 Vac - International

Designation	Color
Line	Brown
Neutral	Blue
Ground/Earth	Green / Yellow
DALI +	Grey
DALI -	Black



Non-Dimmable Line Voltage 120/277 Vac - North America

Designation	Color
Line	Black
Neutral	White
Ground/Earth	Green
Not used	Brown



0-10 V Line Voltage 120/277 Vac - North America

Designation	Color
Line	Black
Neutral	White
Ground/Earth	Green
0-10 V +	Purple
0-10 V -	Pink or Grey

