

LS421LED Centria

Wallmount



The LS421LED is one of the most compact and versatile surface mount luminaires in its class, featuring light output and energy efficiency surpassing 39 W Metal Halide. LS421LED is ideal for direct or indirect applications and features 2 axes of adjustment, both of which are lockable. Choices of beam angles, light and glare control accessories are available.

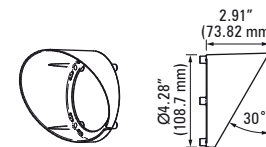
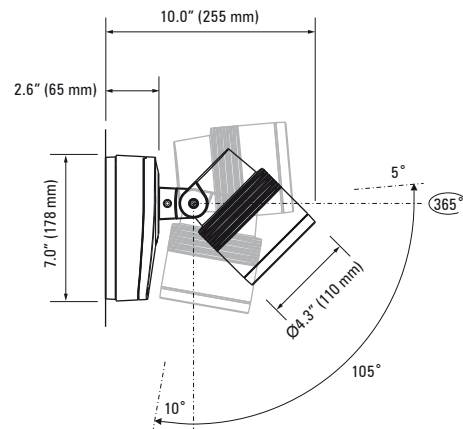
Specifications

Lamp Source	16 W or 27 W LED <input type="checkbox"/> White (4 300 K typical) <input type="checkbox"/> Warm white (3 000 K typical) <input type="checkbox"/> Blue (470 nm) <i>Other colors by request</i> <input type="checkbox"/> RGB
Approved Use	Suitable for wet locations
Control Options	0-10 V PWM
IP Rating	IP66 / IP67
Construction	LM20 die-cast marine grade powder coated aluminum
Accessories <i>Order separately</i>	LS6065 Linear spreader lens LS6066 Prismatic lens LS6067 Concentric louver LS6104 External glare shield
Remote Transformers / Power Supplies <i>Order separately</i>	Refer to Technical Data section for application specific options
Ambient Operating Temperature	-22 °F to 122 °F (-30 °C to +50 °C)
Photometrics	Refer to www.lumascap.com

Any luminaire can become hot - take care with appropriate use and placement



LS421LED Centria



LS6104
External glare shield



LAMP			
Description	Wattage	Color	Code
LED	16 W	White (4 300 K typ.)	16W4
		Warm white (3 000 K typ.)	16H6
		Blue (470 nm)	16B4
LED	27 W	White (4 300 K typ.)	27W4
		Warm white (3 000 K typ.)	27H6
		Blue (470 nm)	27B4
LED	19 W	RGB	19M4

OPTICAL SYSTEM			
Description	Beam	Code	Code
Adjustable	Narrow	14°	NR
Adjustable	Narrow Medium	25°	NM
Adjustable	Medium	30°	ME⁽¹⁾
Adjustable	Linear Horizontal	40° x 20°	LH⁽²⁾
Adjustable	Linear Vertical	20° x 40°	LV⁽²⁾

⁽¹⁾ Recommended for best RGB color mixing.
⁽²⁾ Refer to beam orientation diagram.

INPUT VOLTAGE	
Description	Code
120-277 V, 50/60 Hz	09
0-10 V Dimmable Driver, 120-277 V, 50/60 Hz	09-DIM⁽¹⁾
PWM Dimmable Driver, 12-24 V DC	13-DIM⁽²⁾

⁽¹⁾ Not available with 16 W module.
⁽²⁾ For RGB applications only.

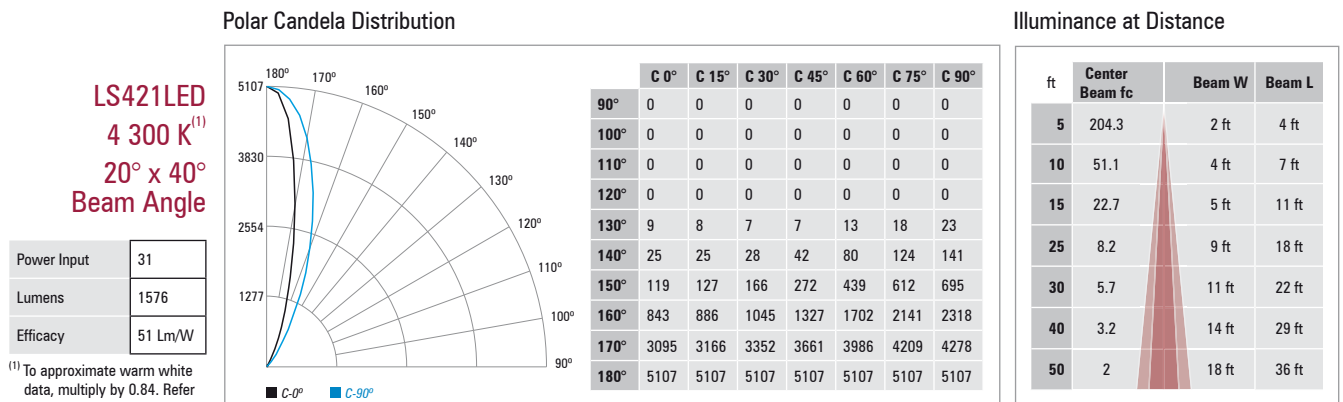
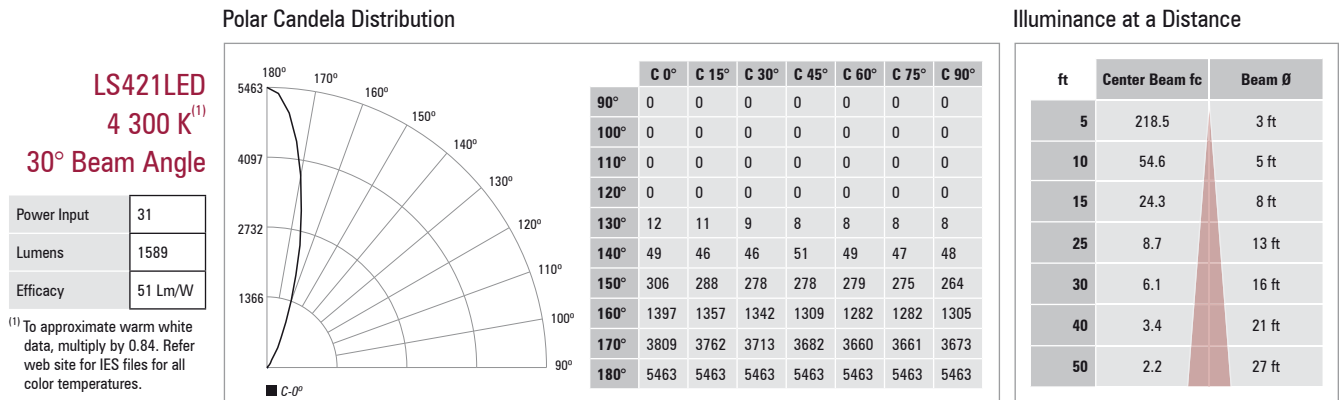
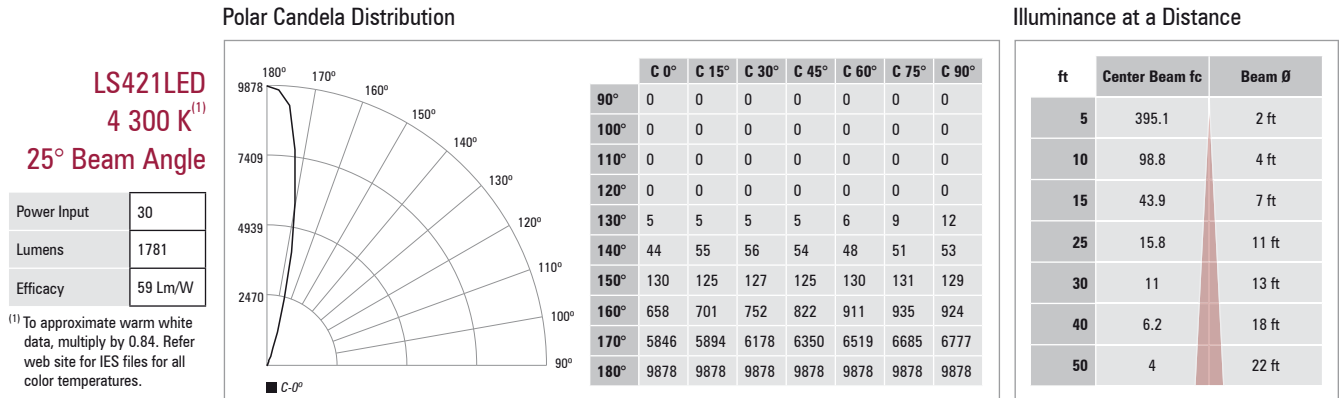
FINISH	
Description	Code
Black	CB
White	CW
Silver	CS

Dimmable Wiring Diagram Reference			
Input Voltage	LED Color	Control Type	Wiring Diagram
09-DIM	Single Color	0-10 V	1
13-DIM	RGB	PWM	9

Photometrics

Photometric data is based on test results from a NIST traceable testing lab. IES data is available at www.lumescape.com.

Note: No depreciation factor is applied to the data shown.



Beam Orientations

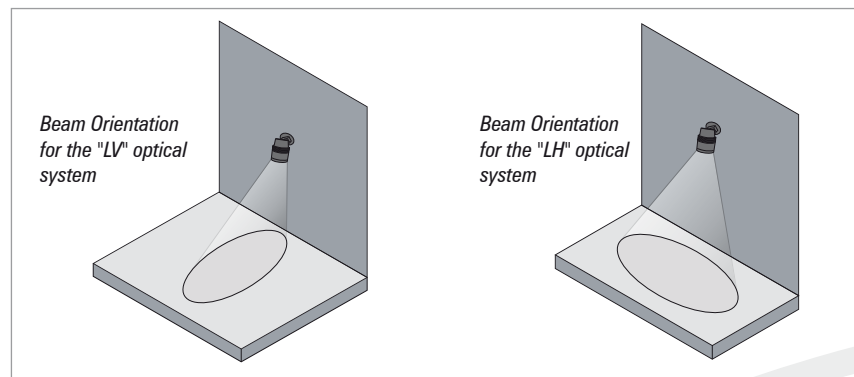


Diagram 1 - 0-10 V Dimming for Line Voltage LED Luminaires

Please note: The use of a GFCI may be required. Consult local wiring rules.

0-10V

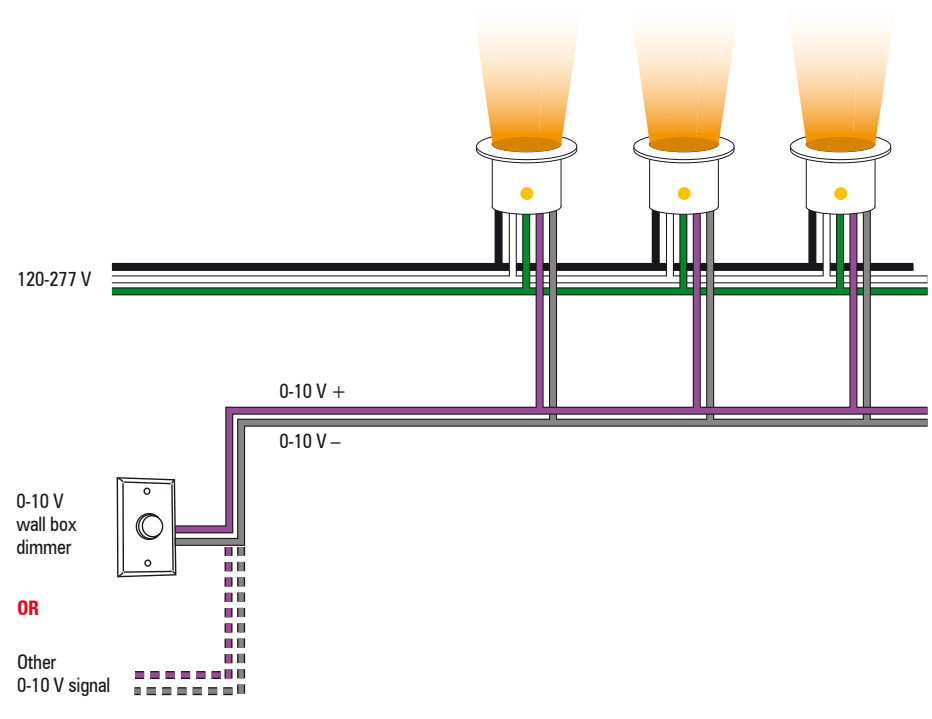
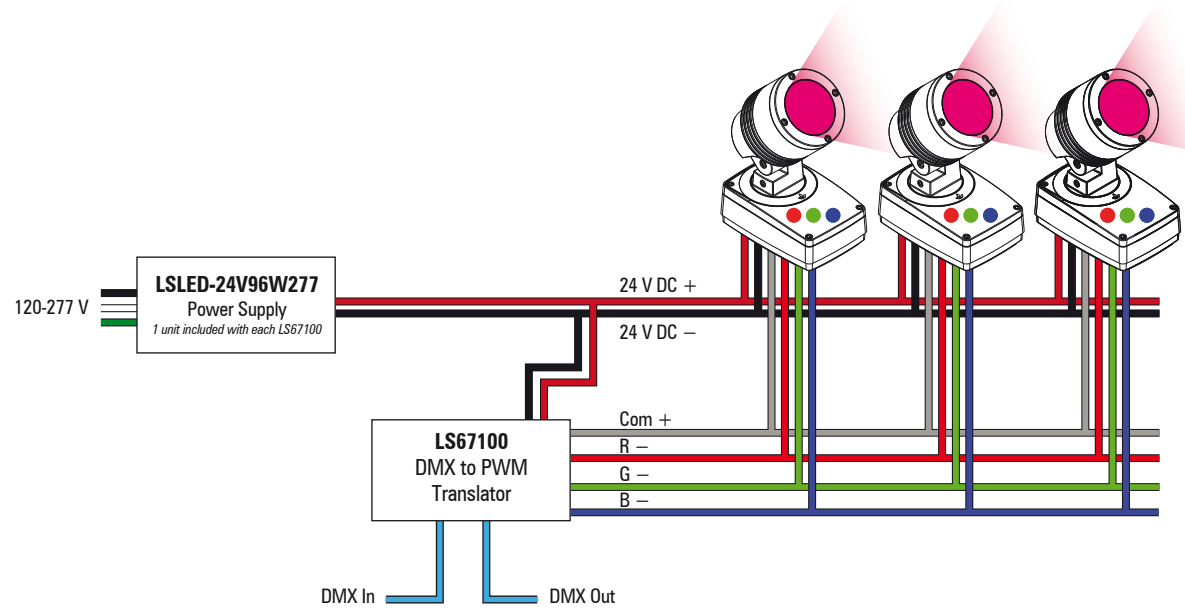


Diagram 9 - RGB via DMX for Low Voltage LED Luminaire on 24 V DC Circuit

PWM DIM



Use compatibility table to determine maximum number of luminaires the power supply can support.

NOTE: The above diagrams are intended to show electrical pathways between luminaires and ancillary devices. These diagrams are not intended to show type or color of cord/wire, wire gauge or approved use of the cord/wire supplied with luminaires.

Consult the luminaire-specific cutsheet or the factory for detailed specifications.

Transformers and Power Supplies for Low Voltage LED Luminaires

The following list of transformers and power supplies are for use with luminaires specifically described as being compatible with either 12 V AC (wirewound only) transformers or with 12-24 V DC power supplies. Compatibility will be noted in the ordering code of the luminaire concerned, and will typically be referenced by Voltage Code '13' or '13-DIM'. In the case of '13-DIM' additional components may be required. Refer to the applicable wiring diagram/s.

Compatibility with each transformer or power supply is indicated by the value mentioned, representing the maximum number of luminaires that may be powered from each transformer or power supply. Please note, this does not take into consideration voltage drop or ampacity limits of the branch circuit. For assistance, please contact factory.

	Wall Mounted Landscape Lighting Transformers			Wall Mounted Transformers				Class 2 Power Supply	Direct Burial Transformer
	LS-TWM-1-300	LS-TWM-2-600	LS-TWM-3-900	LS-TWM-50	LS-TWM-100	LS-TWM-150	LS-TWM-250	LSLED-24V96W277	LS-TDB1-300
Input Voltage	120 V, 60 Hz	120 V, 60 Hz	120 V, 60 Hz	120 V, 60 Hz	120 V, 60 Hz	120 V, 60 Hz	120 V, 60 Hz	120-277 V, 50/60 Hz	120 V, 60 Hz
Output Voltage	12/13/14/15 V 60 Hz	12/13/14/15 V 60 Hz	12/13/14/15 V 60 Hz	12 V, 60 Hz	12 V, 60 Hz	12 V, 60 Hz	12 V, 60 Hz	24 V DC	12.5 V, 60 Hz
Wattage	1 x 300 W circuit	2 x 300 W circuits	3 x 300 W circuits	50 W	100 W	150 W	250 W	96 W	300 W
LS421LED								3	



Class 2 LED Power Supplies

LSLED-24V96W277

Electronic DC power supply - wall mounted

Input	120-277 V, 50/60 Hz
Rating	96 W / 4 A
Output	24 V DC
Output Circuits	1
Approvals	CSA, CSA-US
Location	Wet location
Dimensions	H 12.32" (313 mm) W 2.54" (65 mm) D 1.67" (42 mm)
Weight	2 lb (0.9 kg)

LSLED-24V12W277

Electronic DC power supply - NEMA enclosure required (by others)

Input	120-277 V, 50/60 Hz
Rating	12 W / 0.5 A
Output	24 V DC
Output Circuits	1
Approvals	UL, CUL Recognized, Class 2
IP rating	IP66
Location	Wet location
Dimensions	H 3.35" (85 mm) W 1.42" (36 mm) D 0.91" (23 mm)
Weight	0.282 lb (0.1 kg)

Control Related Equipment

LS6133

0-10 V to PWM translator - NEMA enclosure required (by others)

Input	24 V DC
Rating	96 W max
Output	4 A max
Output Circuits	1
Approvals	UL, CUL Recognized, Class 2
IP Rating	IP66
Dimensions	H 5.2" (132 mm) W 1.3" (33 mm) D 1" (25 mm)
Weight	0.2 lb (0.1 kg)

LS67100

DMX to PWM translator - dry location only

Input	24 V DC
Rating	4 x 60 W max
Output	4 x 2.5 A max
Output Circuits	4
Approvals	UL, CUL
IP Rating	N/A
Dimensions	H 11.25" (286 mm) W 4.6" (117 mm) D 3.2" (82 mm)
Weight	0.5 lb (0.2 kg)