

MODELS LS471 Surface Mount Integral ECG
120V 50/60Hz - 277V 60Hz
2x20watt MH
Suitable for wet locations
Ta 40°C

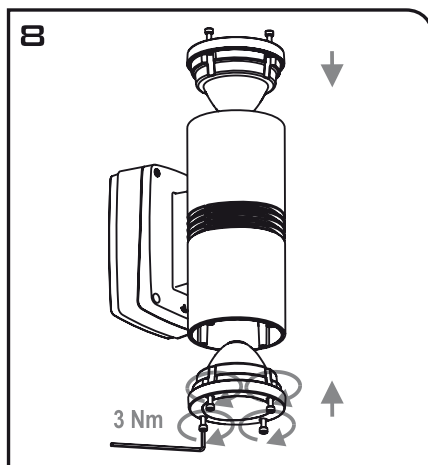
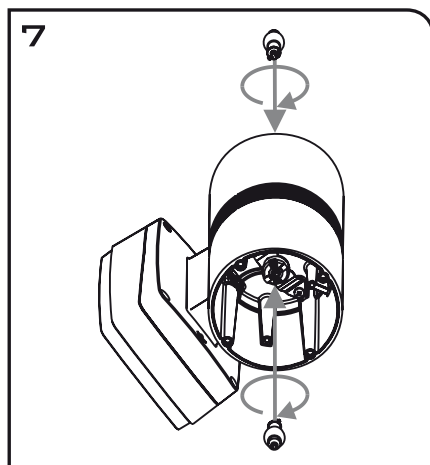
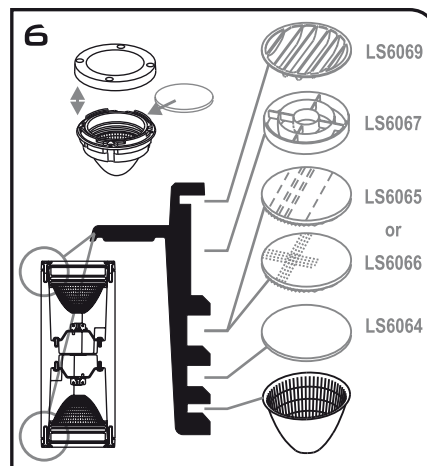
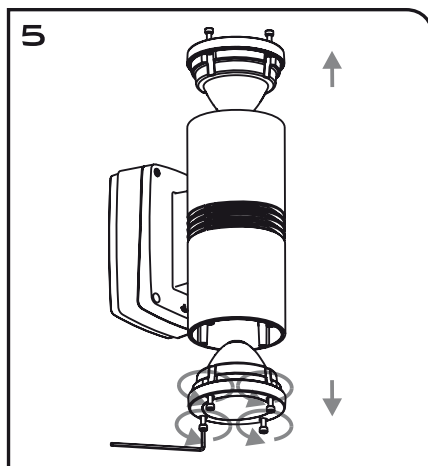
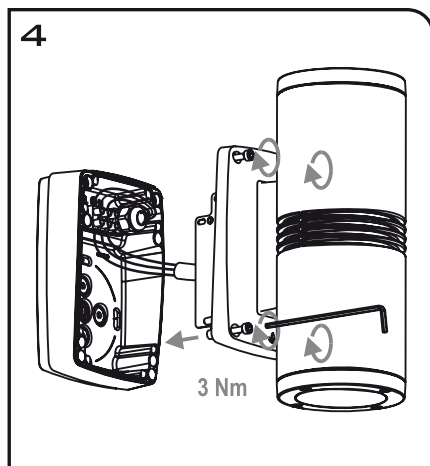
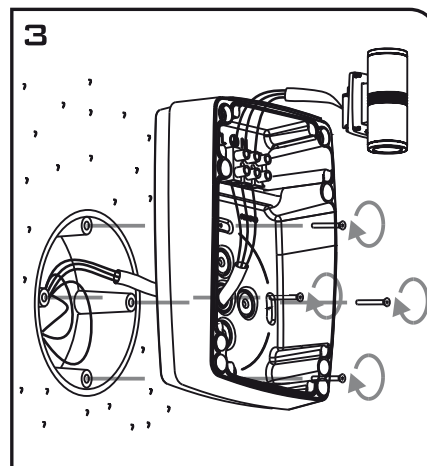
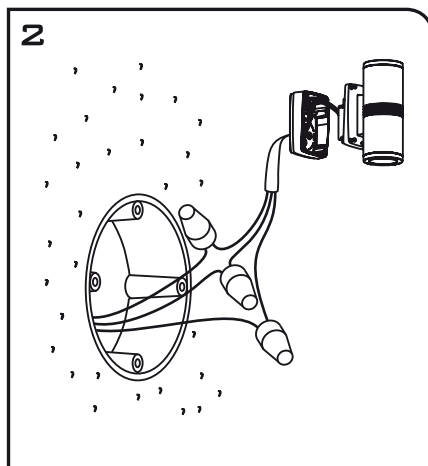
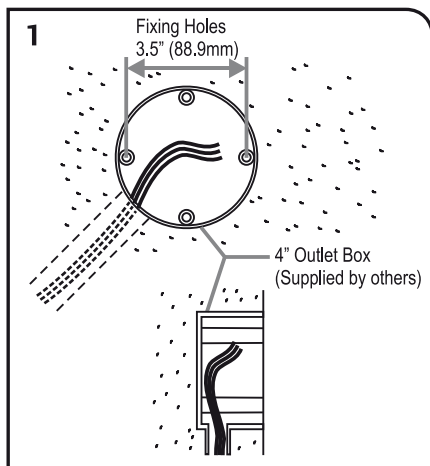


IMPORTANT INSTRUCTIONS

For Installation LS471



LUMASCAPE USA INC
1300 Industrial Rd, Unit #19
San Carlos, CA 94070, USA
T 1-(650)-595-LUMA(5862)
F 1-(650)-595-5820
E info@lumascope.com
W www.lumascope.com Free Call 1-866-695-LUMA(5862)



www.lumascope.com

LUMASCOPE USA INC
Free Call 1-866-695-LUMA(5862)
T 1-(650)-595-LUMA(5862) 1-(650)-595-5820