

## LS432LED Centria

At Grade



The LS432LED is a ground mounted luminaire, suitable for a wide range of landscape lighting applications. The height of the luminaire allows the light head to stand above plantings for an unobstructed cast of light on the target. Choices of beam angles, light and glare control accessories are available.

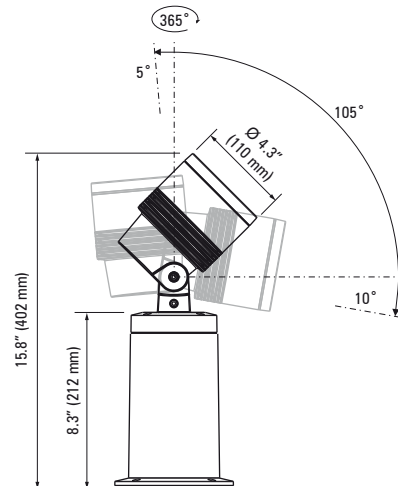
### Specifications

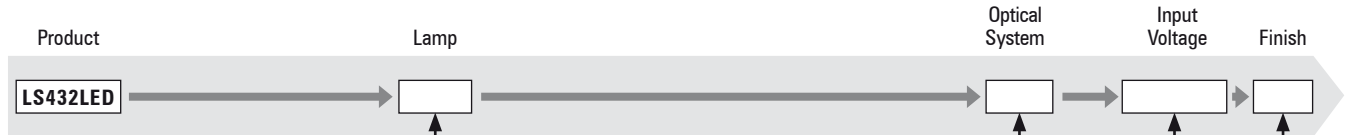
<b>Lamp Source</b>	16 W or 27 W LED <input type="checkbox"/> White (4 300 K typical) <input type="checkbox"/> Warm white (3 000 K typical) <input type="checkbox"/> Blue (470 nm) <i>Other colors by request</i> <input type="checkbox"/> RGB
<b>Approved Use</b>	Suitable for wet locations
<b>Control Options</b>	0-10 V PWM
<b>IP Rating</b>	IP66 / IP67
<b>Construction</b>	LM20 die-cast marine grade powder coated aluminum
<b>Standard Inclusion</b>	<b>MicroAntiLeach™</b> wire entry
<b>Accessories</b> <i>Order separately</i>	<b>LS6065</b> Linear spreader lens <b>LS6066</b> Prismatic lens <b>LS6067</b> Concentric louver <b>LS6104</b> External glare shield
<b>Ambient Operating Temperature</b>	-22 °F to 122 °F (-30 °C to +50 °C)
<b>Remote Transformers / Power Supplies</b> <i>Order separately</i>	Refer to Technical Data section for application specific options
<b>Photometrics</b>	Refer to <a href="http://www.lumascape.com">www.lumascape.com</a>

*Any luminaire can become hot - take care with appropriate use and placement*



**LS432LED Centria**  
 Surface Mount





**LAMP**

Description	Wattage	Color	Code
LED	16 W	White (4 300 K typ.)	<b>16W4</b>
		Warm white (3 000 K typ.)	<b>16H6</b>
		Blue (470 nm)	<b>16B4</b>
LED	27 W	White (4 300 K typ.)	<b>27W4</b>
		Warm white (3 000 K typ.)	<b>27H6</b>
		Blue (470 nm)	<b>27B4</b>
	19 W	RGB	<b>19M4</b>

**OPTICAL SYSTEM**

Description	Beam	Code
Adjustable	Narrow	14° <b>NR</b>
Adjustable	Narrow Medium	25° <b>NM</b>
Adjustable	Medium	30° <b>ME<sup>(1)</sup></b>
Adjustable	Linear Horizontal	40° x 20° <b>LH<sup>(2)</sup></b>
Adjustable	Linear Vertical	20° x 40° <b>LV<sup>(2)</sup></b>

<sup>(1)</sup> Recommended for best RGB color mixing.

<sup>(2)</sup> Refer to beam orientation diagram.

**INPUT VOLTAGE**

Description	Code
120-277 V, 50/60 Hz	<b>09</b>
0-10 V Dimmable Driver, 120-277 V, 50/60 Hz	<b>09-DIM<sup>(1)</sup></b>
PWM Dimmable Driver, 12-15 V, 60 Hz or 12-24 V DC	<b>13-DIM<sup>(2)</sup></b>

<sup>(1)</sup> Not available with 16 W module.

<sup>(2)</sup> For RGB applications only.

**Dimmable Wiring Diagram Reference**

Input Voltage	LED Color	Control Type	Wiring Diagram
09-DIM	Single Color	0-10 V	1
13-DIM	RGB	PWM	8,9

**FINISH**

Description	Material	Code
Black, powder coated	Aluminum	<b>CB</b>
White, powder coated	Aluminum	<b>CW</b>
Anodic silver, powder coated	Aluminum	<b>CS</b>

**LS432LED Accessories**

Stacking and order of accessories

Other accessory stacking options may be available - consult factory

Photometrics

Photometric data is based on test results from a NIST traceable testing lab. IES data is available at [www.lumascap.com](http://www.lumascap.com).

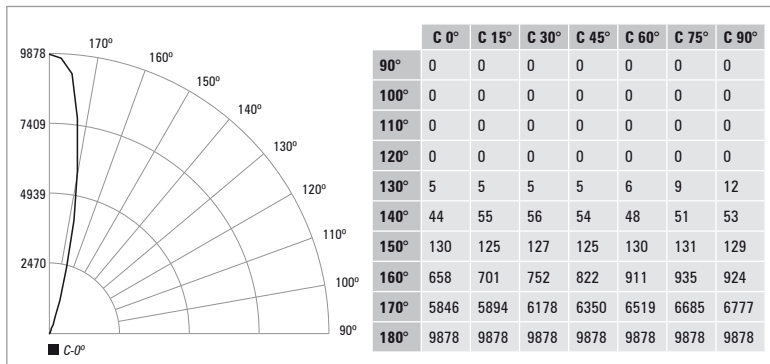
Note: No depreciation factor is applied to the data shown.

Polar Candela Distribution

LS452LED  
LS432LED  
LS422LED  
4 300 K<sup>(1)</sup>  
25° Beam Angle

Power Input	30
Lumens	1781
Efficacy	59 Lm/W

<sup>(1)</sup> To approximate warm white data, multiply by 0.84. Refer web site for IES files for all color temperatures.



Illuminance at a Distance

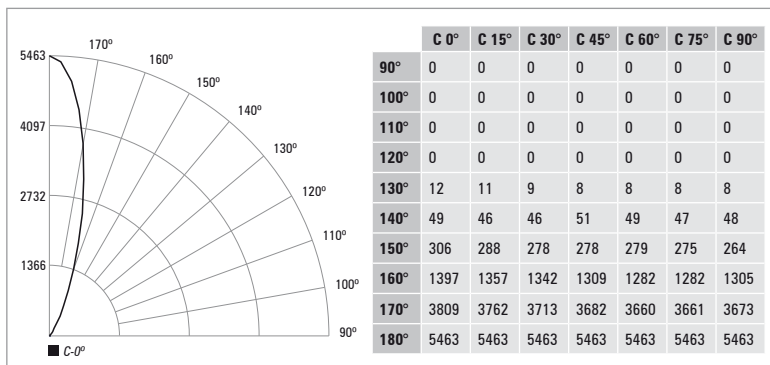
ft	Center Beam fc	Beam Ø
5	395.1	2 ft
10	98.8	4 ft
15	43.9	7 ft
25	15.8	11 ft
30	11	13 ft
40	6.2	18 ft
50	4	22 ft

Polar Candela Distribution

LS452LED  
LS432LED  
LS422LED  
4 300 K<sup>(1)</sup>  
30° Beam Angle

Power Input	31
Lumens	1589
Efficacy	51 Lm/W

<sup>(1)</sup> To approximate warm white data, multiply by 0.84. Refer web site for IES files for all color temperatures.



Illuminance at a Distance

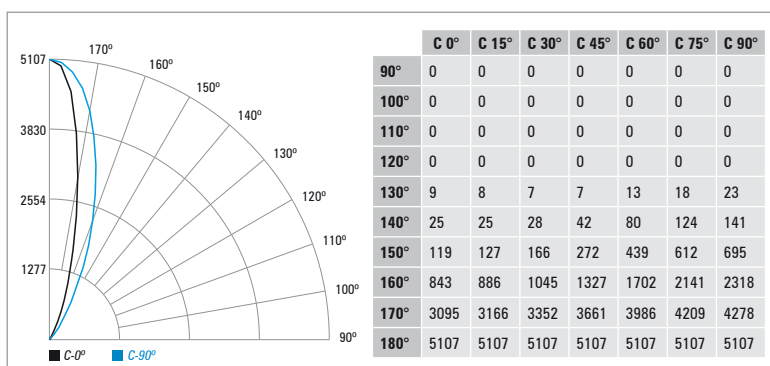
ft	Center Beam fc	Beam Ø
5	218.5	3 ft
10	54.6	5 ft
15	24.3	8 ft
25	8.7	13 ft
30	6.1	16 ft
40	3.4	21 ft
50	2.2	27 ft

Polar Candela Distribution

LS452LED  
LS432LED  
LS422LED  
4 300 K<sup>(1)</sup>  
20° x 40° Beam Angle

Power Input	31
Lumens	1576
Efficacy	51 Lm/W

<sup>(1)</sup> To approximate warm white data, multiply by 0.84. Refer web site for IES files for all color temperatures.



Illuminance at Distance

ft	Center Beam fc	Beam W	Beam L
5	204.3	2 ft	4 ft
10	51.1	4 ft	7 ft
15	22.7	5 ft	11 ft
25	8.2	9 ft	18 ft
30	5.7	11 ft	22 ft
40	3.2	14 ft	29 ft
50	2	18 ft	36 ft

Beam Orientations

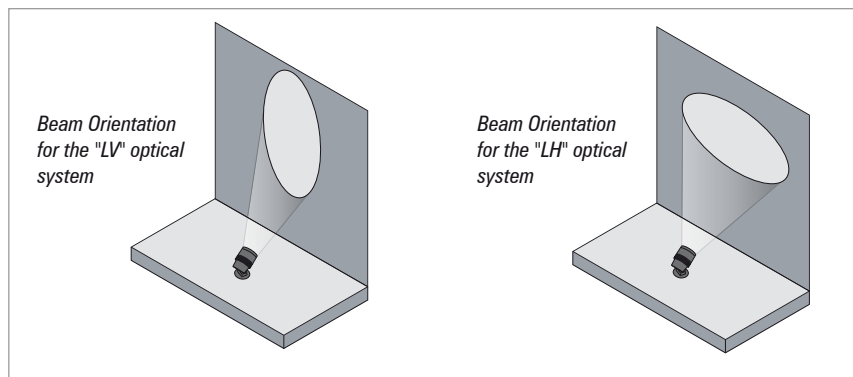


Diagram 1 - 0-10 V Dimming for Line Voltage LED Luminaires

Please note: The use of a GFCI may be required. Consult local wiring rules.

0-10V

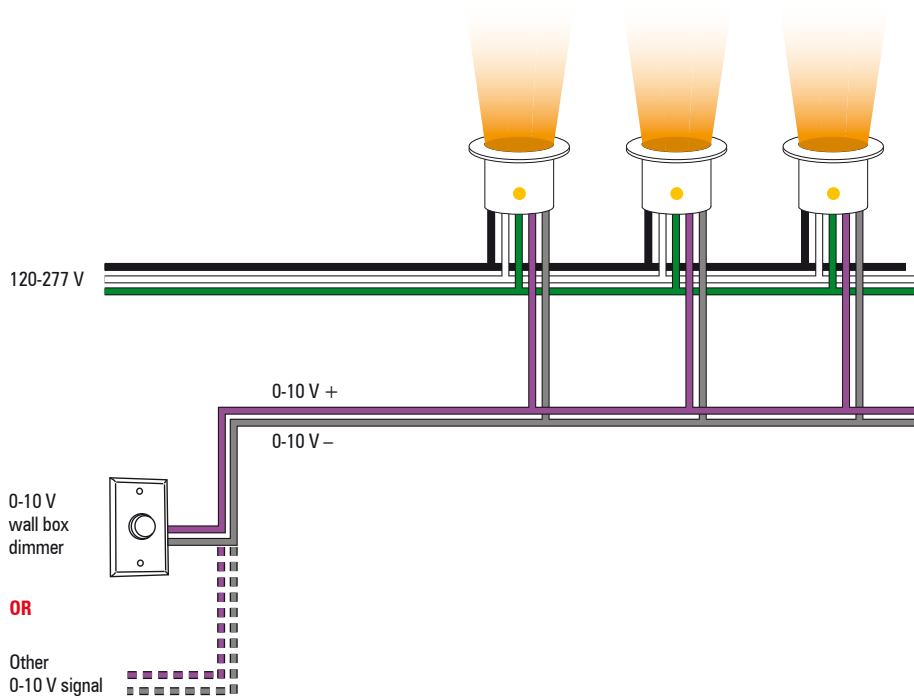
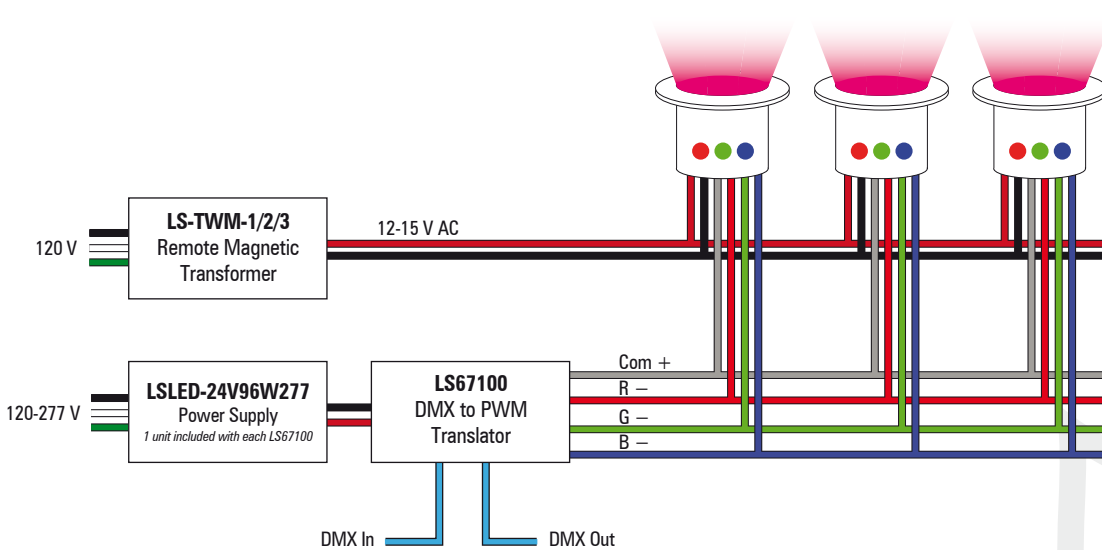


Diagram 8 - RGB via DMX for Low Voltage LED Luminaire on 12-15 V AC Circuit

PWM DIM

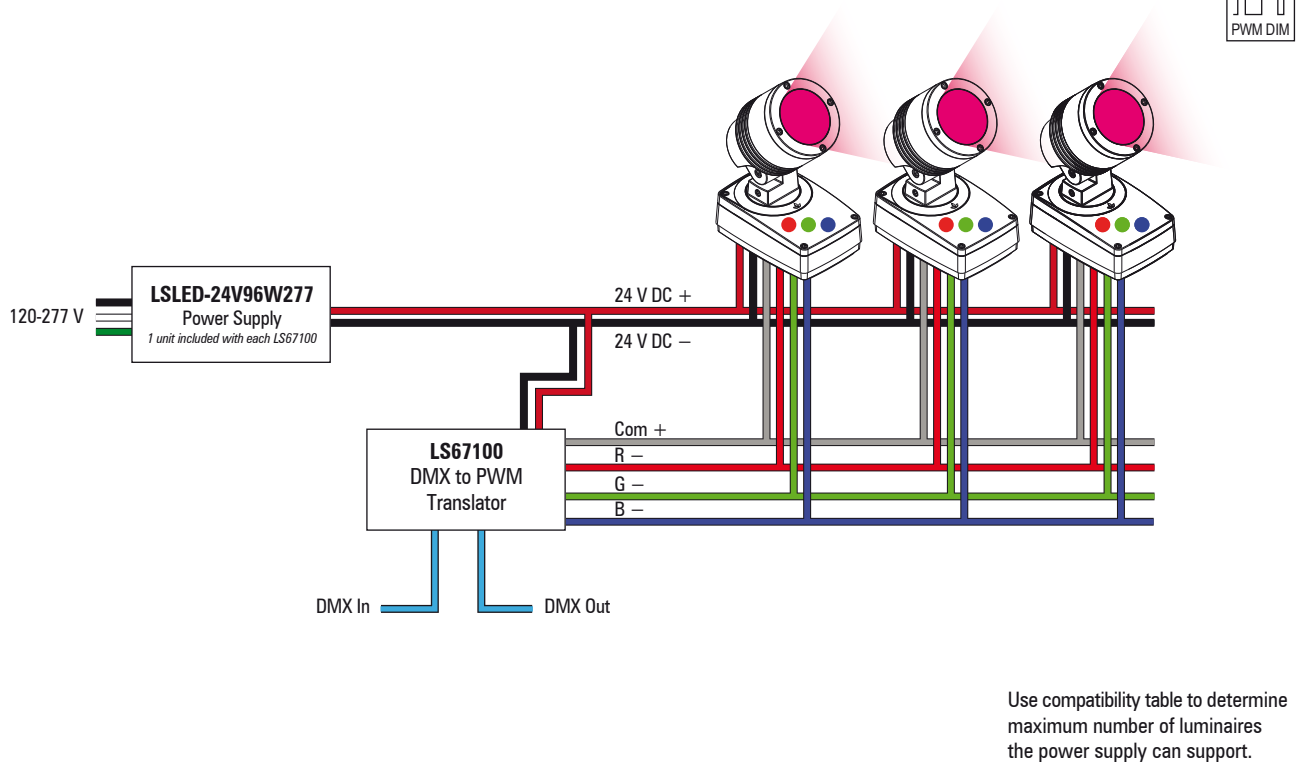


Use compatibility table to determine maximum number of luminaires the power supply can support.

NOTE: The above diagrams are intended to show electrical pathways between luminaires and ancillary devices. These diagrams are not intended to show type or color of cord/wire, wire gauge or approved use of the cord/wire supplied with luminaires.

Consult the luminaire-specific cutsheet or the factory for detailed specifications.

Diagram 9 - RGB via DMX for Low Voltage LED Luminaire on 24 V DC Circuit



NOTE: The above diagrams are intended to show electrical pathways between luminaires and ancillary devices. These diagrams are not intended to show type or color of cord/wire, wire gauge or approved use of the cord/wire supplied with luminaires.

**Consult the luminaire-specific cutsheet or the factory for detailed specifications.**

## Transformers and Power Supplies for Low Voltage LED Luminaires

The following list of transformers and power supplies are for use with luminaires specifically described as being compatible with either 12 V AC (wirewound only) transformers or with 12-24 V DC power supplies. Compatibility will be noted in the ordering code of the luminaire concerned, and will typically be referenced by Voltage Code '13' or '13-DIM'. In the case of '13-DIM' additional components may be required. Refer to the applicable wiring diagram/s.

Compatibility with each transformer or power supply is indicated by the value mentioned, representing the maximum number of luminaires that may be powered from each transformer or power supply. Please note, this does not take into consideration voltage drop or ampacity limits of the branch circuit. For assistance, please contact factory.

	Wall Mounted Landscape Lighting Transformers			Wall Mounted Transformers				Class 2 Power Supply	Direct Burial Transformer
	LS-TWM-1-300	LS-TWM-2-600	LS-TWM-3-900	LS-TWM-50	LS-TWM-100	LS-TWM-150	LS-TWM-250	LSLED-24V96W277	LS-TDB1-300
<b>Input Voltage</b>	120 V, 60 Hz	120 V, 60 Hz	120 V, 60 Hz	120 V, 60 Hz	120 V, 60 Hz	120 V, 60 Hz	120 V, 60 Hz	120-277 V, 50/60 Hz	120 V, 60 Hz
<b>Output Voltage</b>	12/13/14/15 V 60 Hz	12/13/14/15 V 60 Hz	12/13/14/15 V 60 Hz	12 V, 60 Hz	12 V, 60 Hz	12 V, 60 Hz	12 V, 60 Hz	24 V DC	12.5 V, 60 Hz
<b>Wattage</b>	1 x 300 W circuit	2 x 300 W circuits	3 x 300 W circuits	50 W	100 W	150 W	250 W	96 W	300 W
<b>LS432LED-19M4</b>	7	14	21					4	



## Transformers for Landscape Lighting Applications

### LS-TWM-1-300

Magnetic transformer - wall mounted

<b>Input</b>	120 V
<b>Rating</b>	300 W
<b>Output</b>	12/13/14/15 V
<b>Output Circuits</b>	1
<b>Protection</b>	Electrostatic shield, magnetic breaker
<b>Approvals</b>	UL, CUL
<b>NEMA Rating</b>	3R
<b>Construction</b>	Stainless steel
<b>Dimensions</b>	<b>H</b> 17.6" (447 mm) <b>W</b> 6.8" (173 mm) <b>D</b> 6.19" (157 mm)
<b>Weight</b>	27 lb (12.3 kg)

### LS-TWM-3-900

Magnetic transformer - wall mounted

<b>Input</b>	120 V
<b>Rating</b>	900 W
<b>Output</b>	12/13/14/15 V
<b>Output Circuits</b>	3
<b>Protection</b>	Electrostatic shield, magnetic breaker
<b>Approvals</b>	UL, CUL
<b>NEMA Rating</b>	3R
<b>Construction</b>	Stainless steel
<b>Dimensions</b>	<b>H</b> 18.6" (472 mm) <b>W</b> 7.8" (198 mm) <b>D</b> 6.19" (157 mm)
<b>Weight</b>	34 lb (15.5 kg)

### LS-TWM-2-600

Magnetic transformer - wall mounted

<b>Input</b>	120 V
<b>Rating</b>	600 W
<b>Output</b>	12/13/14/15 V
<b>Output Circuits</b>	2
<b>Protection</b>	Electrostatic shield, magnetic breaker
<b>Approvals</b>	UL, CUL
<b>NEMA Rating</b>	3R
<b>Construction</b>	Stainless steel
<b>Dimensions</b>	<b>H</b> 17.6" (447 mm) <b>W</b> 6.8" (173 mm) <b>D</b> 6.19" (157 mm)
<b>Weight</b>	29 lb (13.2 kg)

### LS-TDB1-300

Magnetic transformer - direct burial

<b>Input</b>	120 V
<b>Rating</b>	300 W
<b>Output</b>	12.5 V
<b>Output Circuits</b>	1
<b>Protection</b>	Circuit breaker
<b>Approvals</b>	ETL (US and Canada)
<b>NEMA Rating</b>	12
<b>Construction</b>	Reinforced composite
<b>Dimensions</b>	<b>H</b> 9" (229 mm) <b>W</b> 9" (229 mm) <b>D</b> 7" (178 mm)
<b>Weight</b>	8 lb (3.6 kg)

## Class 2 LED Power Supplies

### LSLED-24V96W277

Electronic DC power supply - wall mounted

<b>Input</b>	120-277 V, 50/60 Hz
<b>Rating</b>	96 W / 4 A
<b>Output</b>	24 V DC
<b>Output Circuits</b>	1
<b>Approvals</b>	CSA, CSA-US
<b>Location</b>	Wet location
<b>Dimensions</b>	<b>H</b> 12.32" (313 mm) <b>W</b> 2.54" (65 mm) <b>D</b> 1.67" (42 mm)
<b>Weight</b>	2 lb (0.9 kg)

### LSLED-24V12W277

Electronic DC power supply - NEMA enclosure required (by others)

<b>Input</b>	120-277 V, 50/60 Hz
<b>Rating</b>	12 W / 0.5 A
<b>Output</b>	24 V DC
<b>Output Circuits</b>	1
<b>Approvals</b>	UL, CUL Recognized, Class 2
<b>IP rating</b>	IP66
<b>Location</b>	Wet location
<b>Dimensions</b>	<b>H</b> 3.35" (85 mm) <b>W</b> 1.42" (36 mm) <b>D</b> 0.91" (23 mm)
<b>Weight</b>	0.282 lb (0.1 kg)

## Control Related Equipment

### LS6133

0-10 V to PWM translator - NEMA enclosure required (by others)

<b>Input</b>	24 V DC
<b>Rating</b>	96 W max
<b>Output</b>	4 A max
<b>Output Circuits</b>	1
<b>Approvals</b>	UL, CUL Recognized, Class 2
<b>IP Rating</b>	IP66
<b>Dimensions</b>	<b>H</b> 5.2" (132 mm) <b>W</b> 1.3" (33 mm) <b>D</b> 1" (25 mm)
<b>Weight</b>	0.2 lb (0.1 kg)

### LS67100

DMX to PWM translator - dry location only

<b>Input</b>	24 V DC
<b>Rating</b>	4 x 60 W max
<b>Output</b>	4 x 2.5 A max
<b>Output Circuits</b>	4
<b>Approvals</b>	UL, CUL
<b>IP Rating</b>	N/A
<b>Dimensions</b>	<b>H</b> 11.25" (286 mm) <b>W</b> 4.6" (117 mm) <b>D</b> 3.2" (82 mm)
<b>Weight</b>	0.5 lb (0.2 kg)