



The EB2 is a compact, factory-sealed inground luminaire designed for harsh exterior environments. With a corrosion-resistant brass body, IP68 rating, and micro-antileach cable entry, it delivers long-term reliability in coastal, urban, or high-moisture settings—no drainage required.

This direct view marker light supports RGBW, RGBA, Static and Tunable White output with DMX/RDM control via Powersync, enabling dynamic lighting scenes and remote management.

Optical accessories like an external glare shield and the option to install custom graphic masks make the luminaire fit for any job. The lid comes in brass or stainless steel finishes:

- Brass develops an elegant natural patina over time.
- Cast 316 stainless steel offers superior corrosion resistance; the naturally patterned crystalline surface is indicative of its high-alloy composition, highlighting durability in high-salinity, high-exposure environments.

Drive-over rated and compact at 4.7" (120 mm) diameter, the EB2 delivers up to 210 lm. It installs easily via direct burial, pre-installation kits, or a 4" conduit system, making it ideal for discreet yet powerful architectural or landscape lighting.

Performance

Static White	Lumen Output (lm)	Efficacy (lm/W)	Peak Intensity (cd)
● 2,700 K (80 CRI)	185	38	69
● 3,000 K (80 CRI)	185	38	69
○ 3,500 K (80 CRI)	185	38	69
● 4,000 K (80 CRI)	210	42	77

Dynamic Colour	Lumen Output (lm)	Efficacy (lm/W)	Peak Intensity (cd)
● RGBA	110	22	41
● RGBW (4,000 K) with Royal Blue	110	23	41

! Other LED colours and CRIs available on request. Contact Lumascope for options.



Products and specifications are subject to change without notice.
LS3326_251009

Electrical

Power Consumption	< 5 W
Lifetime	76,554 hours @ 25°C Ambient (B10, L90, TM21 Projected)
Input Voltage	Low Voltage 30 to 48 Vdc
Thermal Management	CoolDrive™ onboard thermal monitoring and control

Control

Interface	Lumascap PowerSync™
Protocols	DMX/RDM, Artnet ¹ , 0-10 V (sink or source) ²
PWM Frequency	2 kHz flicker-free dimming to 0.1%
RDM Functionality	PowerSync enabled Lumascap luminaires are shipped with a default RDM personality which provides smooth dimming control. For different dimming characteristics or to enable other special functionalities, the default personality can be changed through industry standard DMX/RDM.
Systems	Range of third-party controllers

¹ Some protocols require additional hardware. For more information and other available protocols contact Lumascap.

² Not available for color-changing or tunable white

Physical

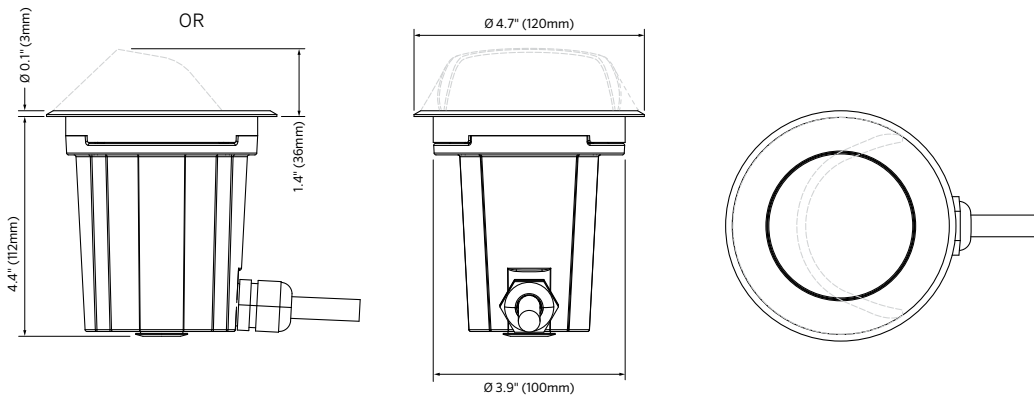
Housing	Die-cast brass body with stainless-steel or brass lid
Installation	Pre-Installation blockout for concrete pour, drive-over and general use applications. Conduit Mount for mounting in 4" SCH 40 conduit by others. Direct burial for landscapes, planters and special applications.
Adjustability	
Wiring	84 (flexible cable), 82 (½" NPT) Direct Burial and Pre-Install
Ambient Operating Temperature	-40°F to 122°F (-40°C to 50°C)
Surface Temperature	< 149°F (< 65°C)
Weight	4.2 lb (1.9 kg)
Drive-Over	With pre-installation kit (LS6388) installed in concrete as per instructions ³

³ With soft tires at low speed, no braking or changing direction.

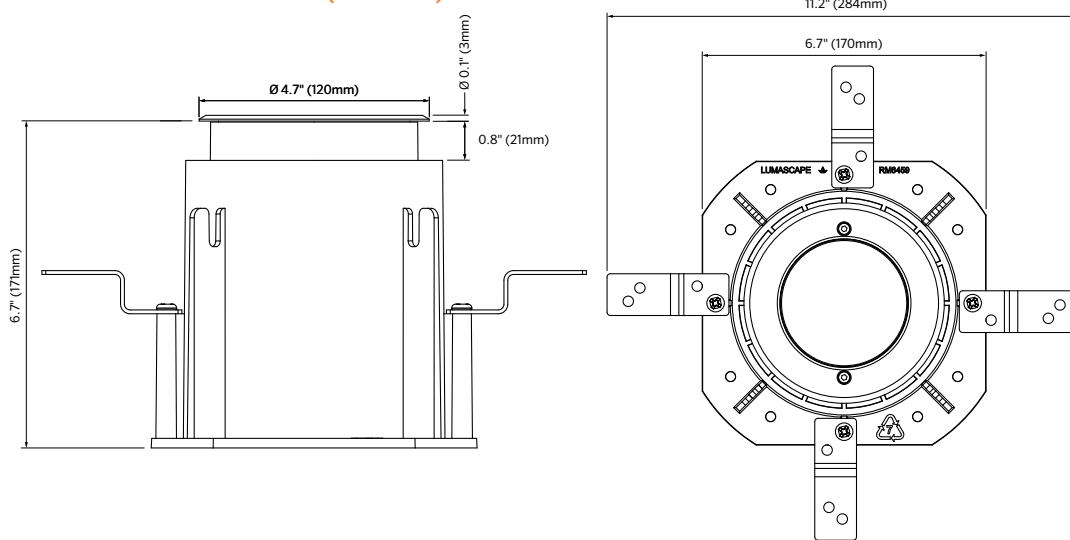
Certification & Compliance

IP Rating	IP68
IK Rating	IK8
Static Load Rating	6,614 lb (3,000 kg)
Environment	Dry, Damp, Wet Locations Inherently protected Suitable for use in poured concrete No drainage required
Certifications	UL (USA & Canada), CE, RCM, FCC

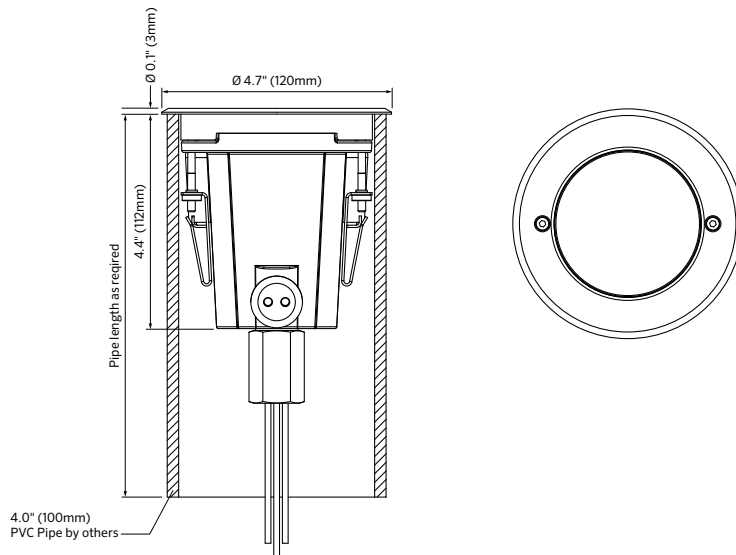
Dimensions - Direct Burial (Optional External Glare Shield also depicted)

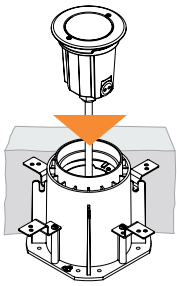


Dimensions - Pre-Install (LS6388)



Dimensions - Conduit Mount (LS6389)

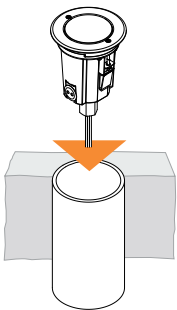




Pre-Installation Blockout

This type of installation requires the LS6388 Pre-Installation Kit (ordered separately), which acts as a concrete blockout and is intended for installation before the luminaire. This method ensures the luminaire itself is not damaged during concreting or other site works.

Used for	Drive over applications General use applications Concrete pour applications where luminaire is to be installed after site work has been completed.
Benefits	Easy removal for servicing
Accessories	LS6388 Pre-Installation Blockout

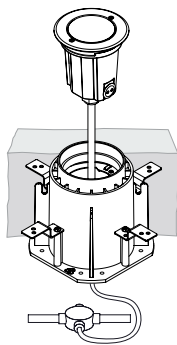


Conduit Mount

This type of installation allows the luminaire to be installed and locked into a standard schedule 40, 4" (100mm) conduit (supplied by others). This ensures the luminaire itself is not damaged during concreting or other site works. Once all the site work is completed the luminaire can be installed.

Used for	Drive over applications General use applications Concrete pour applications where luminaire is to be installed after site work has been completed.
Benefits	Easy removal for servicing Schedule 40, 4" (100mm) conduit can be procured locally, prior to delivery of luminaire.

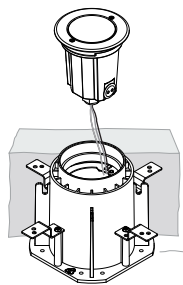
Connection type '84'



Flexible Cable

For connections to the branch circuit via junction box (by others) or other approved method. 6.5' (2 m) length. For other length options, contact Lumascape.

Connection type '82'
North American market only



1/2" NPT Adapter

The luminaire is factory-fitted with 6.5' (2 m) hookup wire. Ensure terminations can be made within this length. For other length options, consult Lumascape.

Round Flush Cover

Flush covers for pre-installation, use special seals and support bushes to ensure static loads up to 6,614 lb (3,000 kg) are properly supported. In order, to achieve this drive-over rating, OptiClear™ or GripGlass™ must be used.

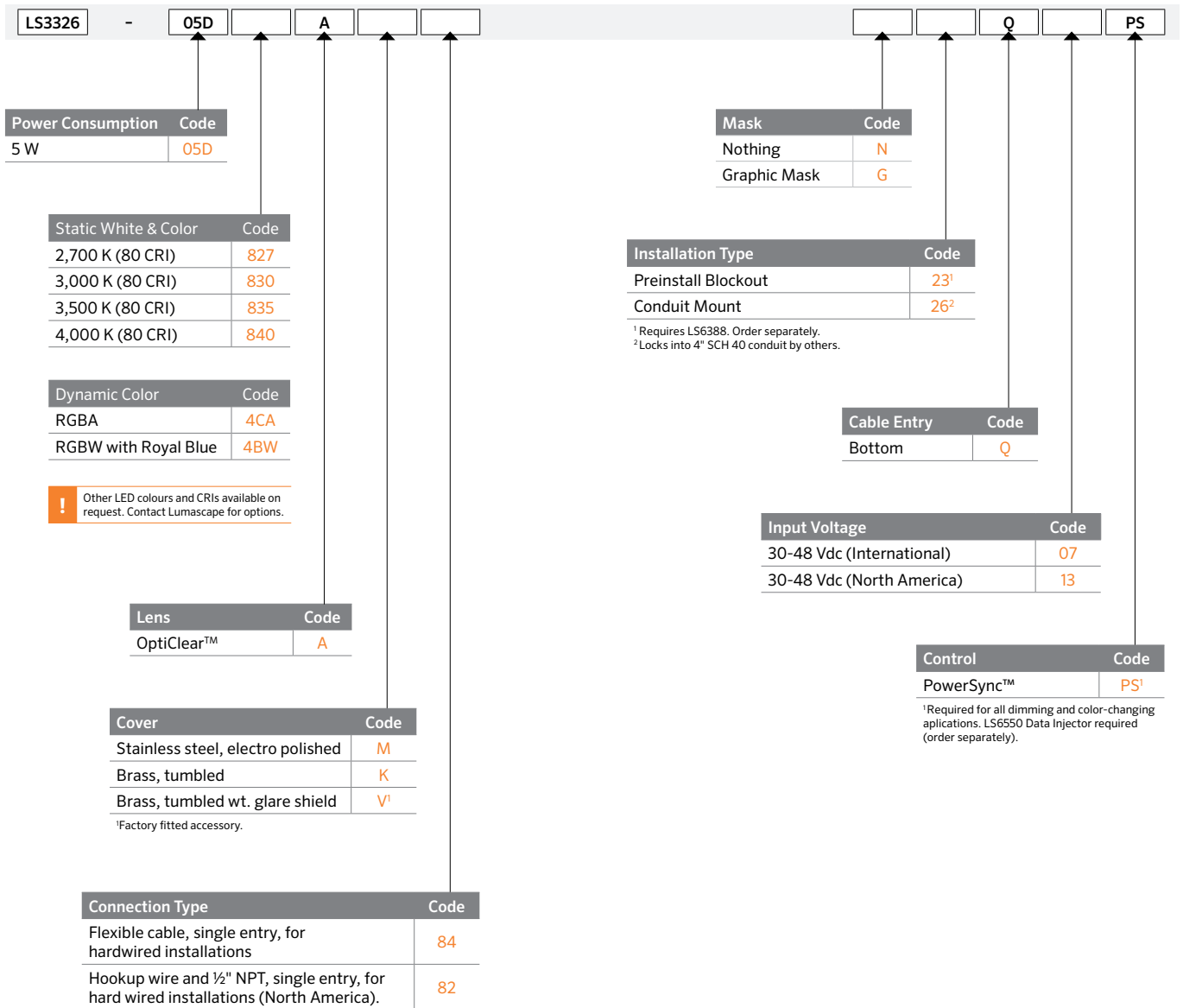


Pre-Installation Blockout & Conduit Mount Round Flush Cover
■ SS316: Electro Polished

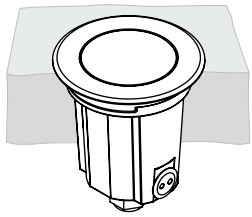


Pre-Installation Blockout & Conduit Mount Round Flush Cover
■ Brass: Tumbled

Pre-Installation Specification Matrix



Accessories	Code
Pre-Installation Kit	LS6388

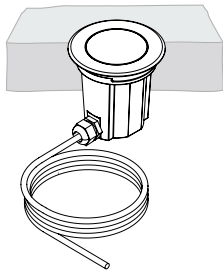


Direct Burial

Luminaire is installed directly into soil or soft landscapes.

Used for	Landscaping areas Applications where depth is restricted
Benefits	Simple installation Easy repositioning as landscapes evolve
Restrictions	Not suitable for drive-over (requires pre-installation) Connection Type 82 only available for North American market.

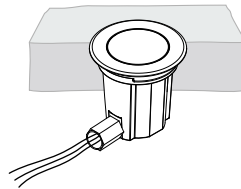
Connection type '84'



Flexible Cable

For connections to the branch circuit via junction box (by others) or other approved method. 6.5' (2 m) length. For other length options, contact Lumascape.

Connection type '82'
North American Market only



1/2" NPT Adapter

The luminaire is factory-fitted with 6.5' (2 m) hookup wire. Ensure terminations can be made within this length. For other length options, contact Lumascape.

Round Flush Cover

Use flush covers for installation in fine finished surfaces such as granite and marble. Can also be used in some suspended applications to conceal gaps between the luminaire and the surrounding surface.

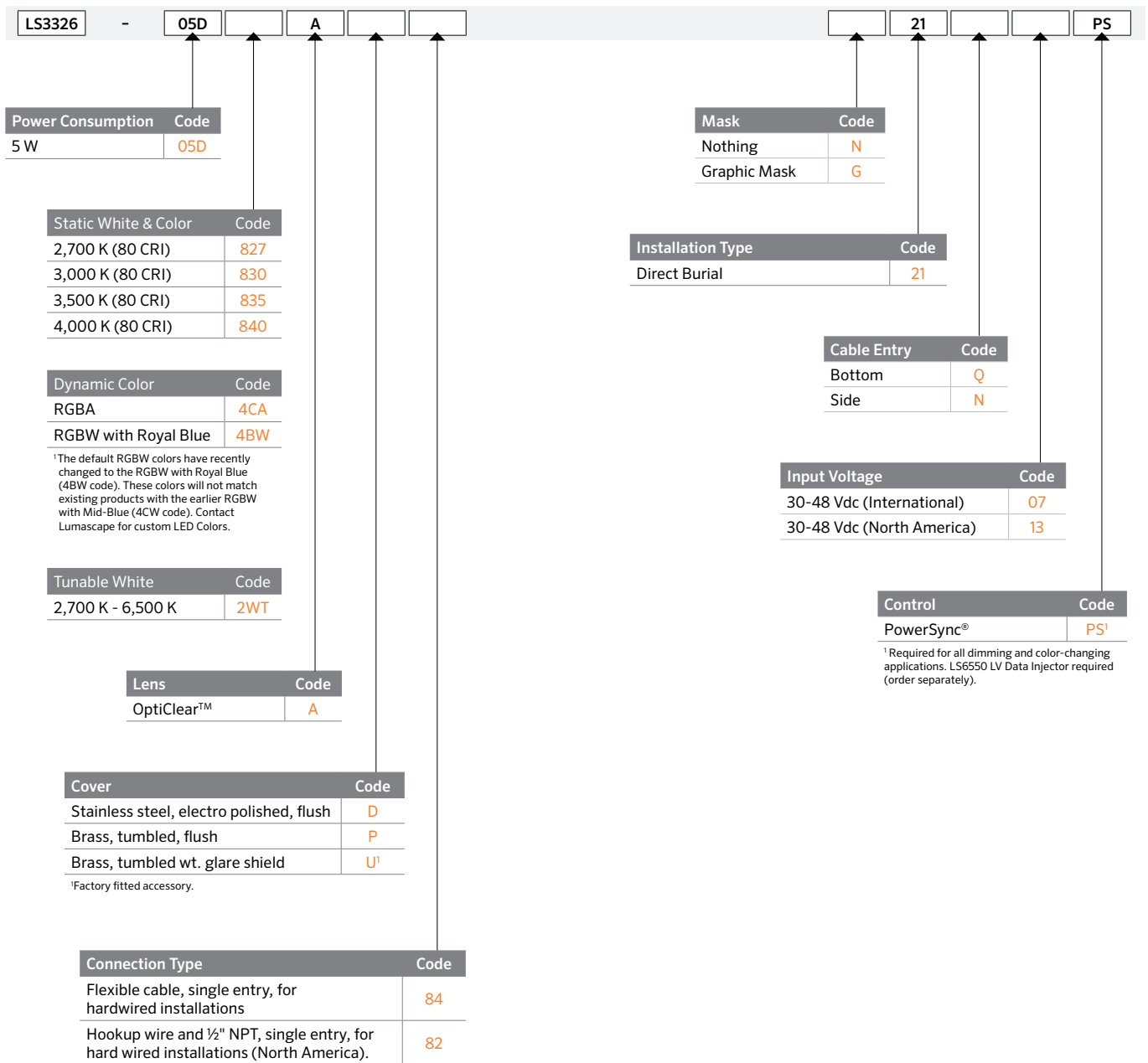


Round Flush Cover
■ SS316: Electro Polished



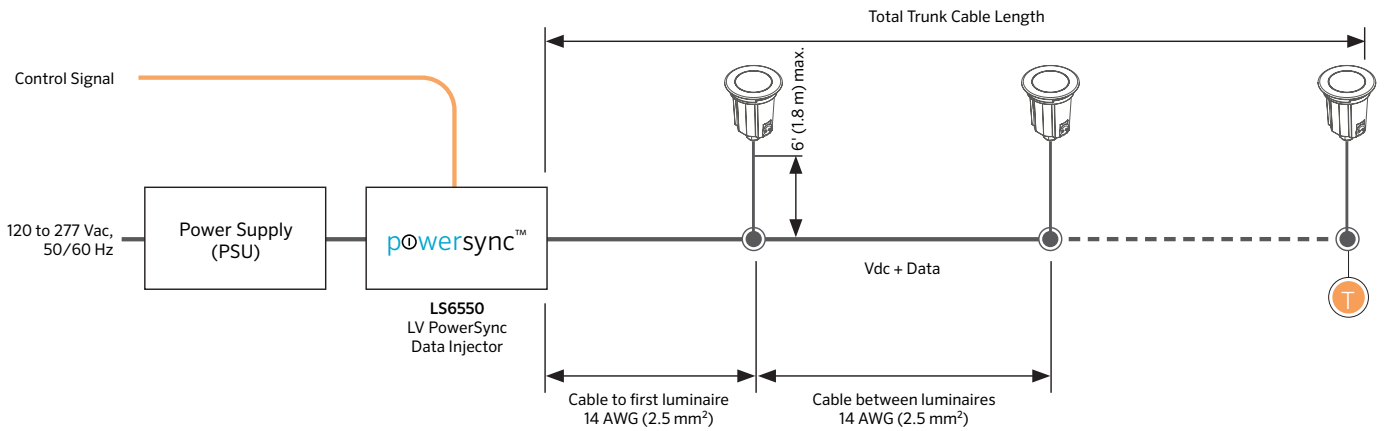
Round Flush Cover
■ Brass: Tumbled

Direct Burial Specification Matrix



Trunk Topology – Recommended for Above Water Applications

Circuit Limits – Dimmable and Color-Changing via PowerSync™



- Refer to "Transformer Compatability Table", for maximum number of luminaires
- Calculations based on 14 AWG (2.5 mm²) trunk cable, and 16' (5 m) trunk cable between luminaires.
- Always observe local electrical codes for branch circuit current limitations
- For other configurations, contact Lumascape.

Transformer Compatability Table

Supply Voltage	Luminaire Power	Max. Leader Cable Length from Power Supply to First Luminaire	Maximum Number of Luminaires per Power Supply				
			120 W	240 W	320 W	480 W	600 W
30 Vdc	5 W	50' (15 m)	18	18	18	18	18
		98' (30 m)	16	16	16	16	16
		164' (50 m)	14	14	14	14	14
48 Vdc	5 W	50' (15 m)	19	33	33	33	33
		98' (30 m)	19	30	30	30	30
		164' (50 m)	18	28	28	28	28



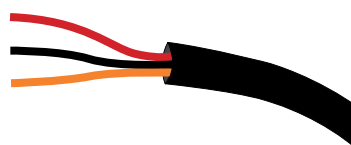
Terminator

Use PowerSync™ terminator, supplied with PowerSync Injector to terminate last luminaire in chain.

Luminaire Wire Colors & Designations

Low Voltage 30 Vdc + PowerSync™

Designation	Color
Positive	Red
Negative	Black
Data	Orange



Accessories

PowerSync Low Voltage 30-48 Vdc Data Injector

Translates control signals into a digital format, delivering integral power and data to intelligent LED luminaires. This allows highly-granular addressing and high-speed digital control of every luminaire, using only three wires. The data injector is DIN rail mountable designed to be installed in a switchboard, next to the power supply and circuit breaker that is supplying power to the controlled lighting circuit. Accepts a growing list of standard protocols (0-10 V, DMX/RDM) for simple integration with a wide selection of control systems using these industry standard protocols.



Note:

PowerSync Data Injector ships with three (3) hardwired terminators and one (1) hardwired DMX terminator.

LS6550	
Product	Code
LV Data Injector PS4	LS6550

Pre-Installation Kit

This type of installation requires the LS6388 Pre-Installation Kit (ordered separately), which acts as a concrete blockout and is intended for installation before the luminaire. This method ensures the luminaire itself is not damaged during concreting or other site works.



LS6388	
Product	Code
Pre-Installation Kit	LS6388

External Glare Shield

Integration of the LS6265 is supported only in pre-install configurations.



LS6265		23		TB	
Product	Code	Installation Type	Code	Finish	Code
External Glare Shield	LS6265	Pre-Install Blockout	23	Tumbled Brass	TB