



The Quadralux Q2 is a small, architectural-grade spotlight that combines technology and performance in a modern form factor. Packed with features including **EasyGlow™** visual comfort, and **CoolDrive™** thermal management technologies. **PowerSync™** allows for highly granular digital control via common protocols. Unique and flexible mounting with glare control accessories enable installation in multiple orientations. Designer optics, provide superb color-over-angle consistency and color blending even at close distances. Available in white, color-changing and tunable white light engines.

Performance

Static White & Color ¹	Lumen Output (lm)	Efficacy (lm/W)	Peak Intensity (cd)
2,700 K (80 CRI)	2,980	91	118,500
3,000 K (80 CRI)	3,060	92	122,300
3,500 K (80 CRI)	3,310	99	129,600
4,000 K (80 CRI)	3,340	100	123,100
5,000 K (70 CRI)	3,090	93	123,000

¹ Lumen output values are based on a 6° lens

Dynamic Color ²	Lumen Output (lm)	Efficacy (lm/W)	Peak Intensity (cd)
RGBA	1,700	54	57,800
RGBW (4,000 K) with Royal Blue	1,890	57	69,100

² Lumen output values based on an 6° lens

Tunable White ³	Lumen Output (lm)	Efficacy (lm/W)	Peak Intensity (cd)
2,700 K – 6,500 K	3,160	94	127,400

³ Lumen output values based on an 6° lens

Beam Angles	6°, 10°, 15°, 30°, 45°, 65°, 10° x 40°, 40° x 10°, 10° x 60°, 60° x 10°, 20° x 40°, 40° x 20°, 20° x 60°, 60° x 20°
-------------	---

! Other LED colours and CRIs available on request. Contact Lumascope for options.



Products and specifications are subject to change without notice. LS9120_251017

Electrical

Power Consumption	33 W
Lifetime	>60,000 hrs (B10, L70, TM21 Reported)
Input Voltage	International 220-240 Vac, 50/60 Hz North America 120/277 Vac, 60 Hz
Earth Leakage	0.1 mA @ 120 Vac, 0.33 mA @ 240 Vac, 0.12 mA @ 277 Vac
Thermal Management	CoolDrive™ onboard thermal monitoring and control

Control

Interface	Lumascap PowerSync®
Protocols¹	DMX/RDM, Artnet, PWM ² , 0 - 10 V (sink or source) ²
PWM Frequency	2 kHz flicker-free dimming to 0.1%
RDM Functionality	PowerSync enabled Lumascap luminaires are shipped with a default RDM personality which provides smooth dimming control. For different dimming characteristics or to enable other special functionalities, the default personality can be changed through industry standard DMX/RDM.
Systems	Range of third-party controllers

¹ Some protocols require additional hardware. For more information and other available protocols contact Lumascap.

² Not available for color-changing or tunable white

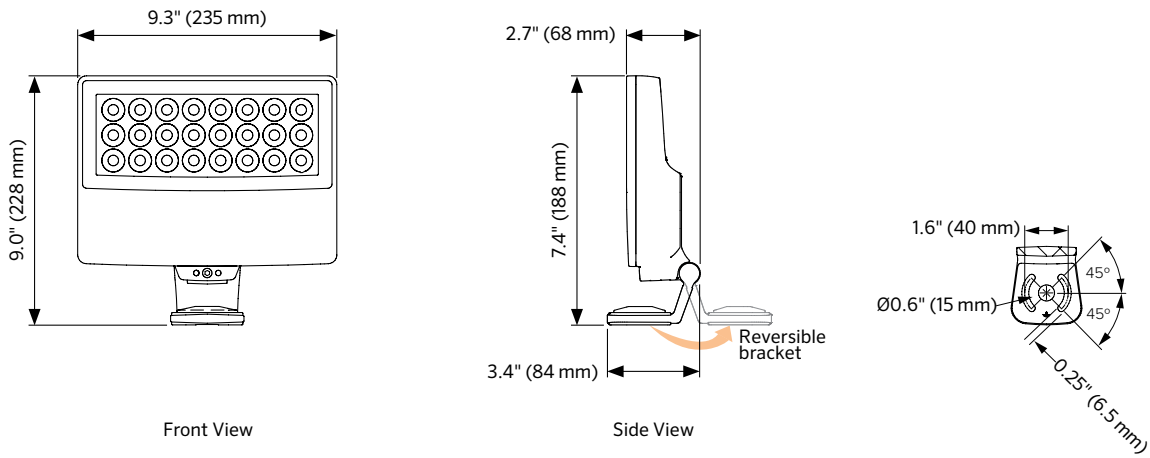
Physical

Housing	Marine-grade die-cast aluminum, tempered glass lens, isolated stainless-steel fasteners, constant torque adjustable mounting bracket (lockable and reversible)
Finish	Superior 9-step powder-coating process, including marine-grade epoxy undercoat and polyester top-coat
Installation	Surface-mounted with included galvanic isolator and safety cable attachment point
Adjustable	Constant torque adjustable mounting bracket, lockable and reversible
Ambient Operating Temperature	-40°F to 122°F (-40°C to 50°C)
Surface Temperature	≤138°F (59°C)
Weight	5.2 lb (2.4 kg)
Effective Projected Area	0.6 ft ² (0.1 m ²)

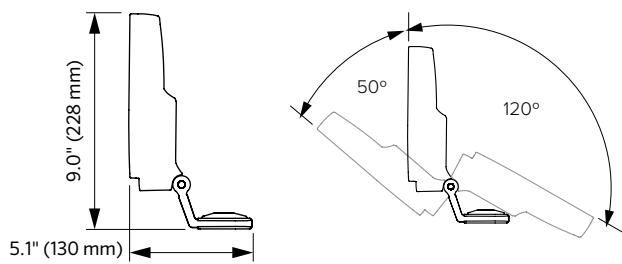
Certification & Compliance

IP Rating	IP66 / IP67 (Passes IP68 test)
IK Rating	IK8
Vibration Resistance	3G Rating (ANSI C136.31)
Environment	Dry, Damp, Wet locations
Certifications	ETL, CE, UKCA, RCM, FCC

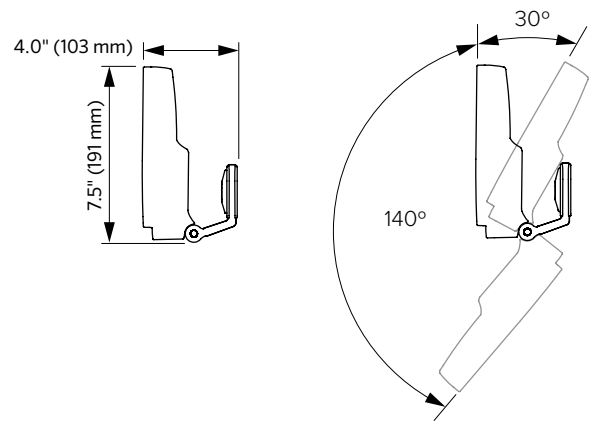
Dimensions



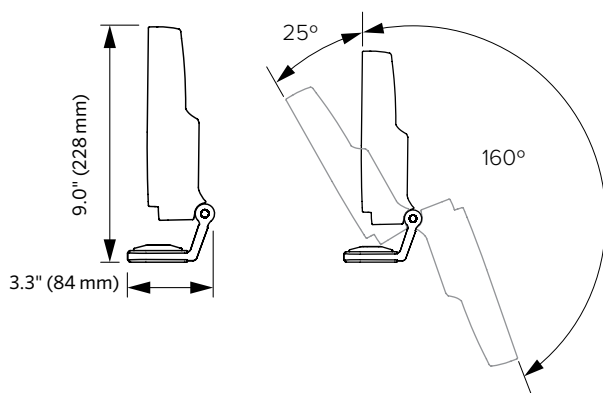
Mounting



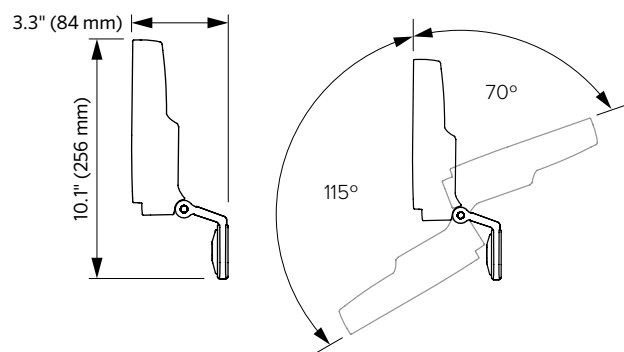
Standard Horizontal Mounting



Standard Vertical Mounting

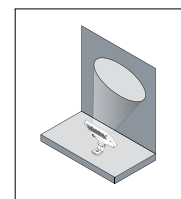
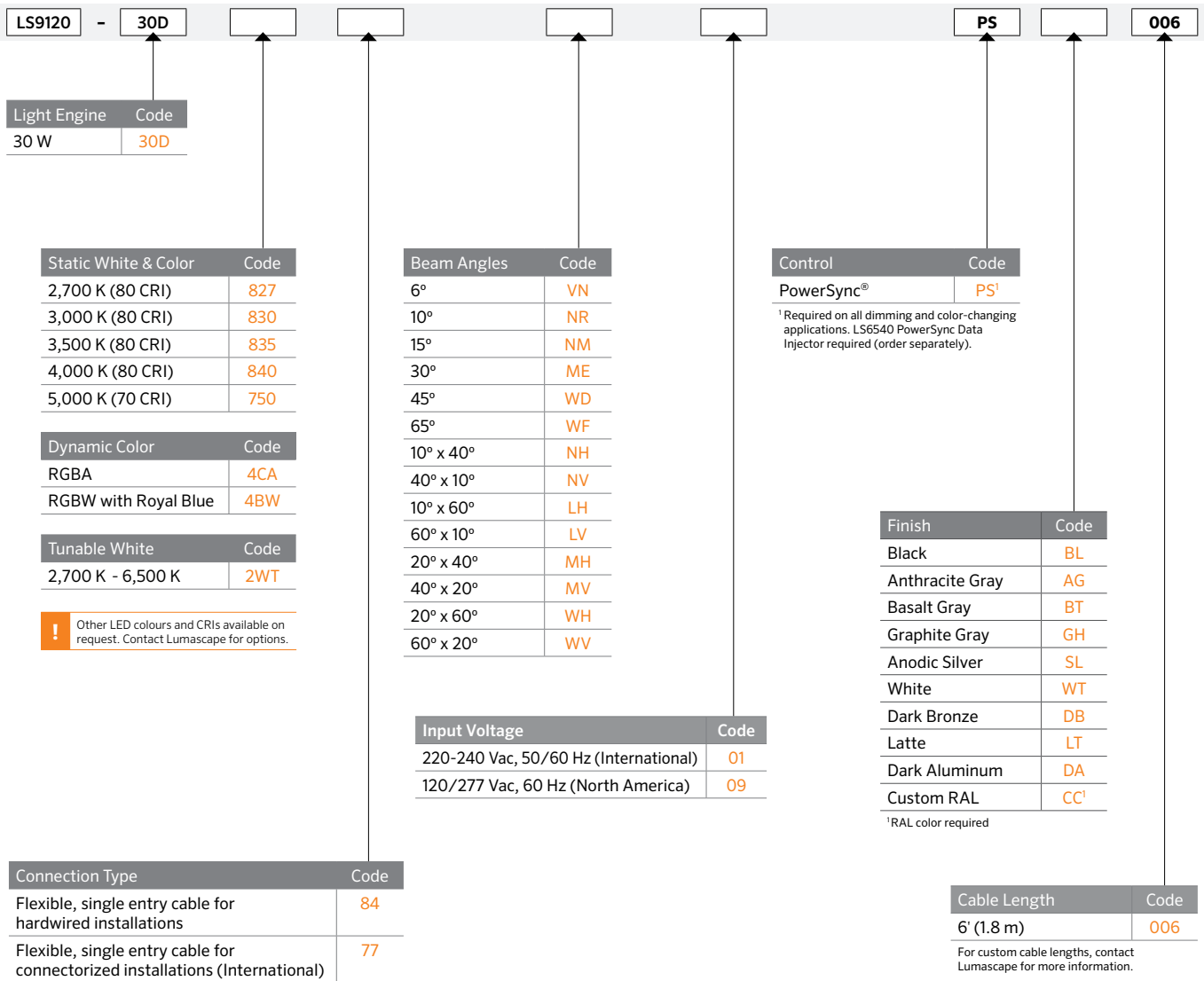


Reverse Horizontal Mounting

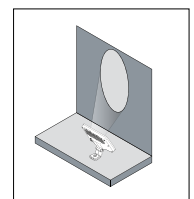


Reverse Vertical Mounting

Specification Matrix



Beam Orientation for "LH", "NH", "MH" and "WH"

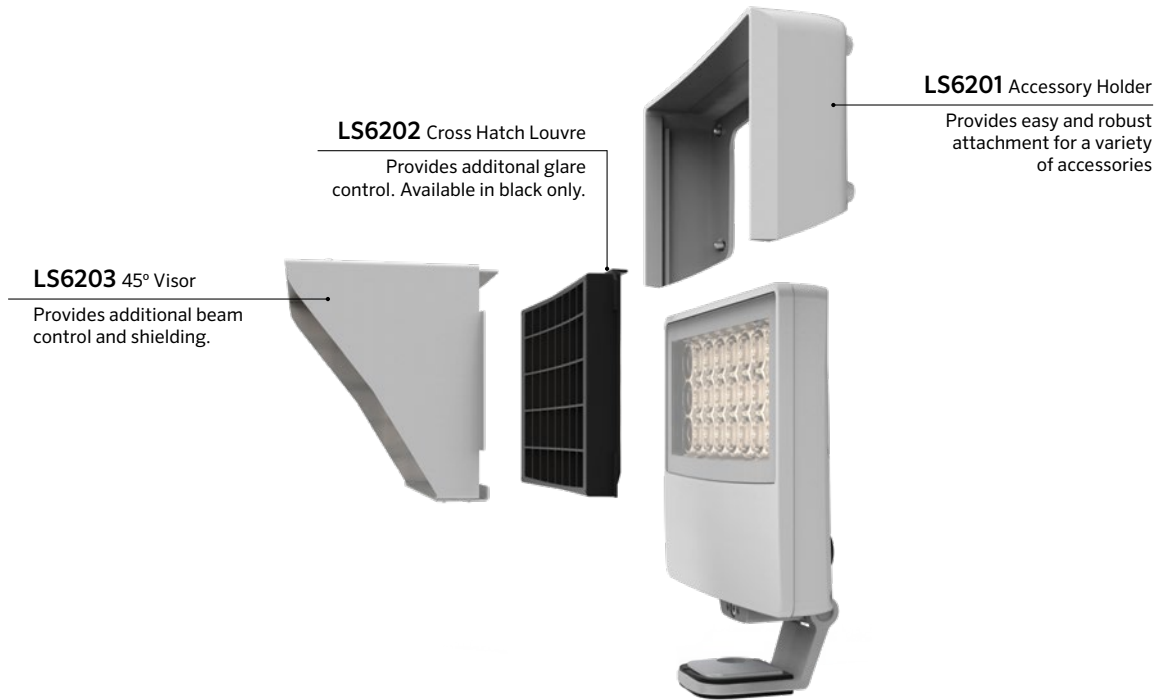


Beam Orientation for "LV", "NV", "MV" and "WV"

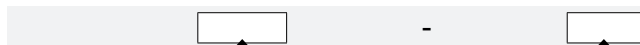
Accessories

Shielding & Glare Control

A range of shielding and glare control accessories are available for the Quadralux Q2 Spotlight.



Specification Matrix



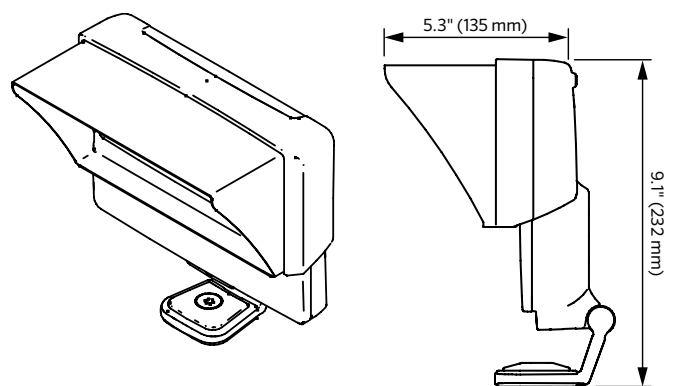
Louvre Length	Code
Accessory Holder	LS6201
45° Visor	LS6203

Custom Visors are available on request. Contact Lumascape for more information.

Finish	Code
Black	BL
Anthracite Gray	AG
Basalt Gray	BT
Graphite Gray	GH
Anodic Silver	SL
White	WT
Dark Bronze	DB
Latte	LT
Dark Aluminum	DA
Custom RAL	CC ¹

¹RAL color required

Technical Drawings



Mounting & Installation Accessories

Junction Box Adapter
(includes Surface Mounting Kit)

Allows the product to be installed onto a standard UL Junction Box. Can also be used as a neat method of surface mounting in regions other than North America.



Pole Clamp

Provides an easy method of installing the luminaire onto a pole, while retaining full aiming and adjustability. Available in 3.0" (76 mm), 4.0" (102 mm), 4.5" (114 mm) and 5.0" (127 mm) options.



4.5" (115 mm) option shown

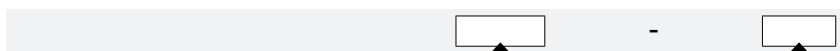
Tenon Adapter

Available in 2 3/8" x 4.0" (60 mm x 104 mm) and 3 1/2" x 6.0" (89 mm x 147 mm) options. Contact Lumascape for more information.



2 3/8" x 4" (89 mm x 147 mm) option shown

Specification Matrix



Mounting Accessories	Code
4.0" Junction Box Adaptor / Surface Mounting Kit	LS6301
3.0" (76 mm) Pole Clamp	LS6302
4.0" (102 mm) Pole Clamp	LS6303
4.5" (114 mm) Pole Clamp	LS6304
5.0" (127 mm) Pole Clamp	LS6305
2 3/8" x 4.0" (60 mm x 104 mm) Tenon Adapter	LS6306
3.5" x 6.0" (89 mm x 147 mm) Tenon Adapter	LS6307
Ground Mount Post (North America only)	LS6325

Finish	Code
Black	BL
Anthracite Gray	AG
Basalt Gray	BT
Graphite Gray	GH
Anodic Silver	SL
White	WT
Dark Bronze	DB
Latte	LT
Dark Aluminum	DA
Custom RAL	CC ¹

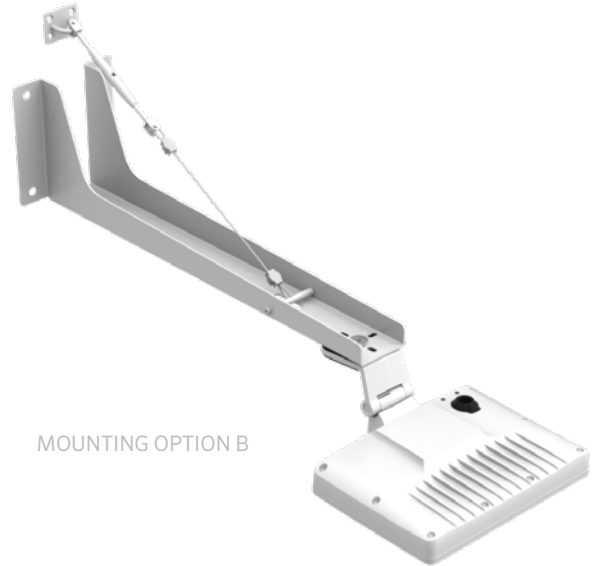
¹RAL color required

Mounting Accessories

A stand off bracket, allows the luminaire to be installed off the facade. Manufactured from marine-grade 316 stainless steel for long-life in the harshest and isolated environments. Available in five length options and suitable for use with the Quadralux and Linealux luminaires.



MOUNTING OPTION A



MOUNTING OPTION B

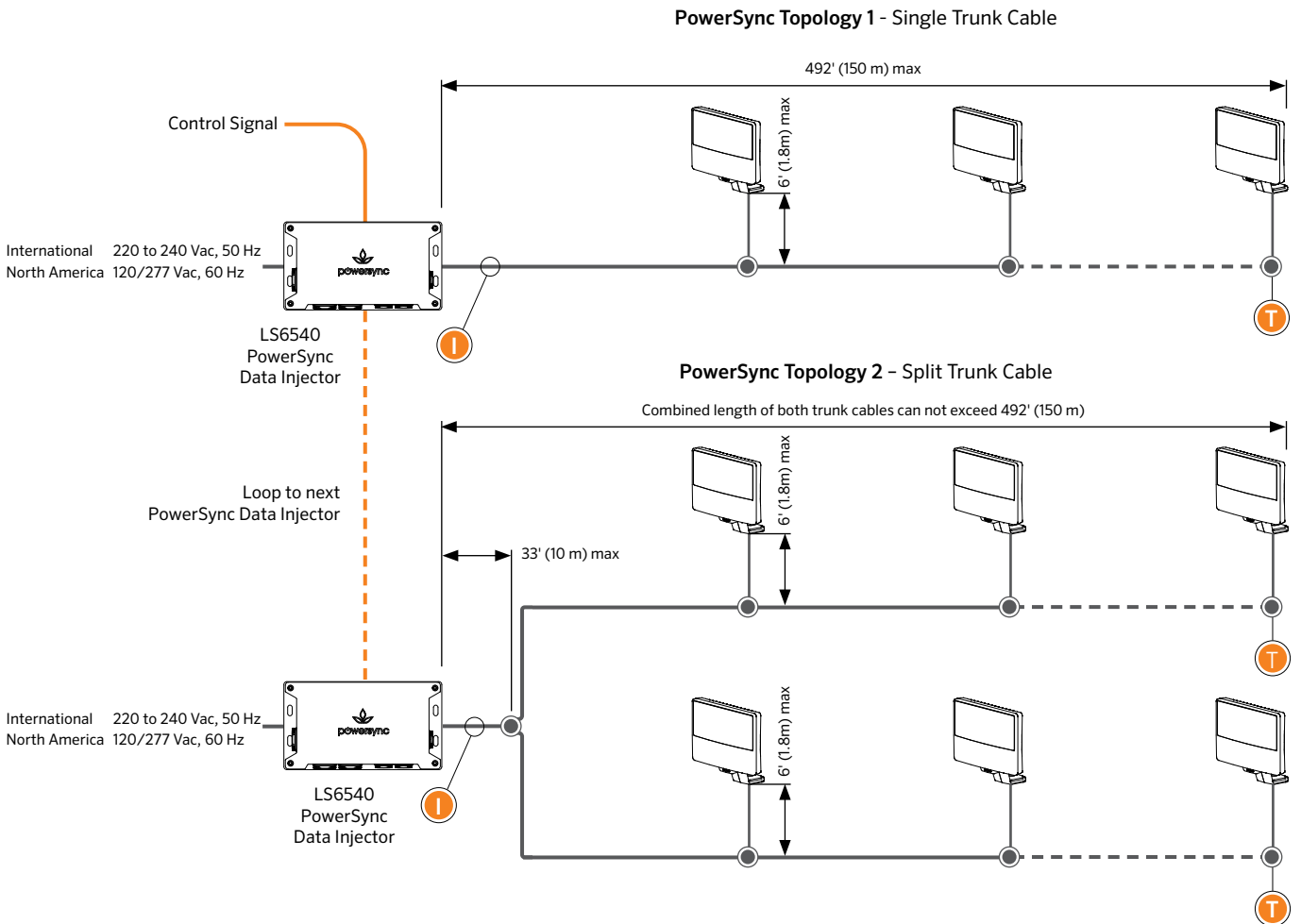
Specification Matrix

LS6221 - [] []

Length	Code	Finish	Code
6" (150 mm)	06	Stainless Steel	SS
12" (305 mm)	12	Black	BL
18" (457 mm)	18	Anthracite Gray	AG
24" (610 mm)	24	Basalt Gray	BT
48" (1,219 mm)	48	Graphite Gray	GH
		Anodic Silver	SL
		White	WT
		Dark Bronze	DB
		Latte	LT
		Dark Aluminum	DA
		Custom RAL	CC ¹

¹RAL color required

Network Topology – Line Voltage 220 to 240 Vac, 120/277 Vac Dimmable and Color-Changing via PowerSync® 4



Up to 45 luminaires per run under the following conditions:

- Max total cable run length 492' (150 m) in up to two trunk cables.
- For run lengths in excess of 100' (30 m), the data wire gauge cannot exceed 14 AWG (2.5 mm²).
- For run lengths up to 100' (30 m), the data wire gauge is not governed.
- Refer to 'Maximum Circuit Load' table for circuit limitations.
- Always observe local electrical codes for branch circuit current limitations.

Maximum Circuit Load

Maximum Number of Fixtures per Circuit		
Voltage	Maximum Current	
	12.8 A	16 A
120 V	41	45
240 V	45	45
277 V	45	45

Refer to PowerSync™ installation instructions for maximum distance information and topology options.

Above circuit loading limits are based on maximum circuit current capacity. Cumulative earth leakage and voltage drop may need to be calculated.

For non-continuous runs contact Lumascape for more details.

- T** Terminator
Use PowerSync™ terminator, supplied with leader cable to terminate last luminaire in chain.
- I** Maximum Current
Maximum current through cables and connectors supplied by Lumascape:
≤12.8 A - Installations in North American Market (UL, ETL)
≤16 A - Installations in International Market (CE, UKCA, CCC)
- Connection Type
Circuits can be configured as either connectorized or hardwired. For details refer to installation instructions and comply with local electrical codes.

Connectorized Accessories - Line Voltage 220 to 240 Vac

Leader Cables - PowerSync Line Voltage 220 to 240 Vac (For Connection Type 77 Only)

4-core 1.5 mm² or 2.5mm² for use in CE/CCC installations. Compatible with all luminaires with Type 77 connectorized supply cable options. Supplied fitted with an IP68 connector for pairing with the first connectorized luminaire in a Powersync4, Line Voltage circuit. Comes complete with a matching End of Circuit, Powersync4, Line Voltage, Terminator Plug.

Not suitable for use in North America

Cable Type	Code	Cable Type	Code	Length	Code
1.5 mm ²	LS6402C	PowerSync	PS	10' (3 m)	010
2.5 mm ²	LS6402C-2.5			32' (10 m)	032
				50' (15 m)	050

Jumper Cables - PowerSync Line Voltage 220 to 240 Vac (For Connection Type 77 Only)

4-core 1.5 mm² or 2.5mm² for use in CE/CCC installations. Compatible with all luminaires with Type 77 connectorized supply cable options. Supplied fitted with an IP68 connector for pairing with the first connectorized luminaire in a Powersync4, Line Voltage circuit.

Not suitable for use in North America

Cable Size	Code	Cable Type	Code	Length	Code
1.5 mm ²	LS6404C	PowerSync	PS	1' (0.3 m)	001
2.5 mm ²	LS6404C-2.5			2' (0.6 m)	002
				3' (1 m)	003
				4' (1.2 m)	004
				6' (2 m)	006
				10' (3 m)	010

Connectorized Accessories - Line Voltage 120/277 Vac

Leader Cables - PowerSync Line Voltage 120/277 Vac (For Connection Type 77 Only)

4 conductors 14 AWG for use in UL installations. Compatible with Type 77 connectorized supply cable options. Supplied fitted with an IP68 connector for pairing with the first connectorized luminaire in a Powersync4, Line Voltage circuit. Comes complete with a matching End of Circuit, Powersync4, Line Voltage, Terminator Plug.

For use in North America ONLY

LS6402U		-	PS		
Cable Type	Code	Cable Type	Code	Length	Code
14 AWG	LS6402U	PowerSync	PS	10' (3 m)	010
				32' (10 m)	032
				50' (15 m)	050

Jumper Cables - PowerSync Line Voltage 120/277 Vac (For Connection Type 77 Only)

4-core 14 AWG for use in UL installations. Compatible with all Luminaires with Type 77 connectorized supply cable options. Supplied fitted with an IP68 connector for pairing with the first connectorized luminaire in a Powersync4, Line Voltage circuit.

For use in North America ONLY

LS6404U		-	PS		
Cable Size	Code	Cable Type	Code	Length	Code
14 AWG	LS6404U	PowerSync	PS	1' (0.3 m)	001
				2' (0.6 m)	002
				3' (1 m)	003
				4' (1.2 m)	004
				6' (2 m)	006
				10' (3 m)	010
				16' (5 m)	016
				26' (8 m)	026
				32' (10 m)	032
				50' (15 m)	050

Connectorized Accessories

Terminators

Product	Code
DMX Terminator Hardwired	LS6407
PowerSync Terminator Hardwired, Line Voltage 220 to 240 Vac	LS6406-01
PowerSync Terminator Hardwired, Line Voltage 120/277 Vac	LS6406-09
PowerSync Terminator Connectorized, Line Voltage 220 to 240 Vac, 120/277 Vac	LS6417

* NOTE:

- DMX Terminators ship with PowerSync Data Injectors.
- Terminators for hardwired PowerSync installations ship with PowerSync Data Injectors.
- Terminators for connectorized PowerSync installations ship with Leader Cables.
- Order separately for spares only.

PowerSync Line Voltage 220 to 240 Vac, 120/277 Vac Data Injector

Combines the convenience of standard wiring methods to translate control signals into a digital format that can be transmitted over standard copper wire. This allows highly granular addressing and high-speed digital control of every luminaire, using only four wires and accepts a growing list of standard protocols (0-10 V, DMX / RDM), for simple integration with a wide selection of control systems using these industry standard protocols.



Product	Code	Input Voltage	Code	Control	Code	Finish	Code
Data Injector PS4	LS6540	220-240 Vac, 50/60 Hz (International)	01	DMX/RDM, 0-10 V Input	2D	Black	BL
		120/277 Vac, 60 Hz (North America)	09			Anthracite Gray	AG
						Basalt Gray	BT
						Graphite Gray	GH
						Anodic Silver	SL
						White	WT
						Dark Bronze	DB
						Latte	LT
						Dark Aluminum	DA
						Custom RAL	CC ¹

¹RAL color required

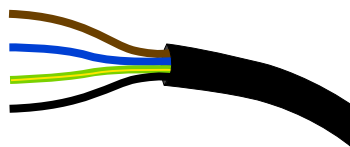
NOTE:

PowerSync Data Injector ships with three (3) hardwired terminators and one (1) hardwired DMX terminator.

Luminaire Wire Colors & Designations

Line Voltage 220 to 240 Vac - International

Designation	Color
Line	Brown
Neutral	Blue
Ground/Earth	Green / Yellow
Data	Black



Line Voltage 120/277 Vac - North America

Designation	Color
Line	Black
Neutral	White
Ground/Earth	Green / Yellow
Data	Orange or Red

