



The Linealux L5 Generation 2 is a high-powered, architectural grade luminaire that combines technology and performance in a stylish linear form factor. Packed with features including **EasyGlow™** visual comfort **CoolDrive™** thermal management technologies and **MicroAntileach™**. **PowerSync™** allows for highly granular digital control via common protocols. Unique and flexible optics allow wide end-to-end spacing whilst maintaining excellent uniformity. Designer lens options are offered as standard to provide superb color-over-angle consistency and blending of colors even at close blending distances. Available in white, color-changing and tunable white light engines.

### Performance

Static White & Color <sup>1</sup>	Lumen Output (lm)	Efficacy (lm/W)	Peak Intensity (cd)
■ 2,700 K (80 CRI)	7,670	82	283,700
■ 3,000 K (80 CRI)	8,000	86	295,800
□ 3,500 K (80 CRI)	8,650	93	319,900
■ 4,000 K (80 CRI)	8,650	93	319,900
■ 5,000 K (70 CRI)	8,000	86	295,800

<sup>1</sup> Lumen output values are based on 22 W/ft, 4 ft luminaire with 6° lens.

Dynamic Color <sup>2</sup>	Lumen Output (lm)	Efficacy (lm/W)	Peak Intensity (cd)
■ RGBA	3,880	42	55,800
■ RGBW (4,000 K) with Royal Blue*	4,360	47	69,200

<sup>2</sup> Lumen output values are based on 22 W/ft, 4 ft luminaire with 10° lens.

Tunable White <sup>3</sup>	Lumen Output (lm)	Efficacy (lm/W)	Peak Intensity (cd)
■ 2,700 K - 6,500 K	8,160	87	301,800

<sup>3</sup> Lumen output values are based on 22 W/ft, 4 ft luminaire with 6° lens.

! Other LED colours and CRIs available on request. Contact Lumascope for options.

### Electrical

<b>Power Consumption</b>	23 W/ft, 19 W/ft
<b>Lifetime</b>	> 60,000 hours (B10, L70, TM21 Reported)
<b>Input Voltage</b>	International 220-240 Vac, 50/60 Hz North America 120/277 Vac, 60 Hz
<b>Earth Leakage</b>	0.2 mA @ 120 Vac, 0.42 mA @ 240 Vac, 0.24 mA @ 277 Vac
<b>Thermal Management</b>	CoolDrive™ onboard thermal monitoring and control

### Control

<b>Interface</b>	Lumascap <b>PowerSync</b> ®
<b>Protocols<sup>1</sup></b>	DMX/RDM, Artnet, PWM <sup>2</sup> , 0 - 10 V (sink or source) <sup>2</sup>
<b>PWM Frequency</b>	1.6 kHz flicker-free dimming to 0.1%
<b>Control Resolution</b>	1 ft resolution (300 mm) and full luminaire Configurable via RDM
<b>RDM Functionality</b>	PowerSync enabled Lumascap luminaires are shipped with a default RDM personality which provides smooth dimming control. For different dimming characteristics or to enable other special functionalities, the default personality can be changed through industry standard DMX/RDM.
<b>Systems</b>	Range of third-party controllers

<sup>1</sup> Some protocols require additional hardware. For more information and other available protocols contact Lumascap.

<sup>2</sup> Not available for color-changing or tunable white

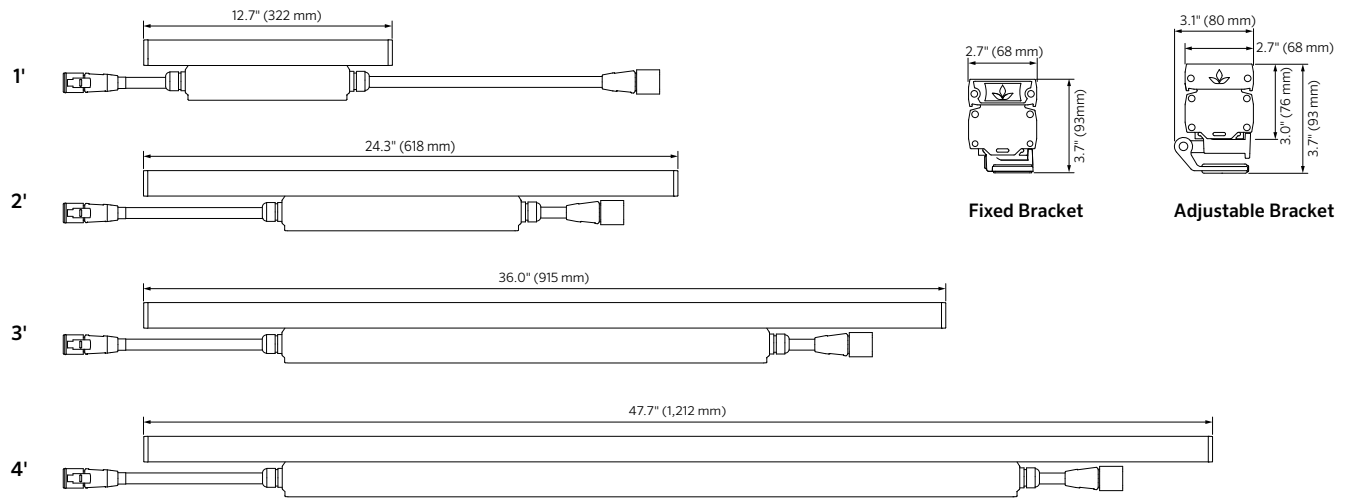
### Physical

<b>Housing</b>	Marine-grade extruded aluminum, tempered glass lens, isolated stainless-steel fasteners, constant torque adjustable mounting bracket (lockable and reversible)
<b>Finish</b>	Superior 9-step powder-coating process, including marine-grade epoxy undercoat and polyester top coat
<b>Installation</b>	Surface-mounted with included galvanic isolator
<b>Adjustable</b>	Multi-positional, reversible constant torque locking bracket
<b>Ambient Operating Temperature</b>	-40°F to 122°F (-40°C to 50°C)
<b>Surface Temperature</b>	≤122°F (50°C)
<b>Weight</b>	15.4 lb (7.0 kg) for 4 ft section
<b>Effective Projected Area</b>	0.9 ft <sup>2</sup> (0.08 m <sup>2</sup> ) for 4 ft section

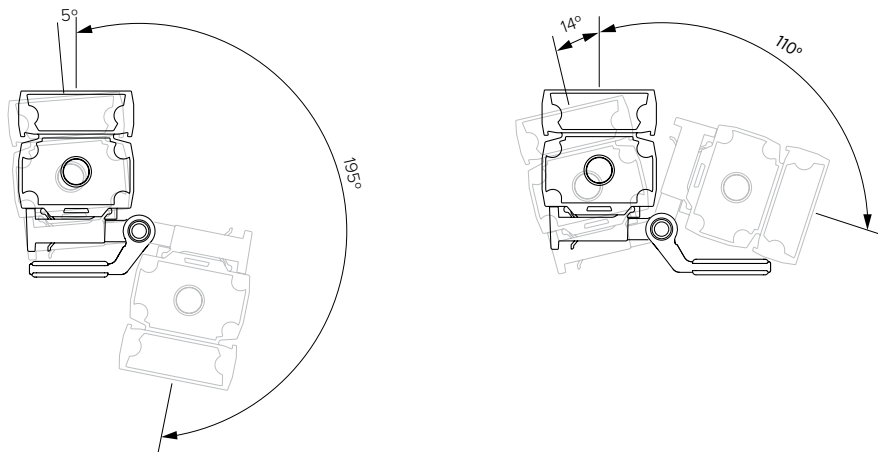
### Certification & Compliance

<b>IP Rating</b>	IP66 / IP67 (Passes IP68 Tests)
<b>IK Rating</b>	IK6
<b>Vibration Resistance</b>	3G Rating (ANSI C136.31)
<b>Environment</b>	Dry, Camp, Wet locations
<b>Certifications</b>	UL, CE, RCM

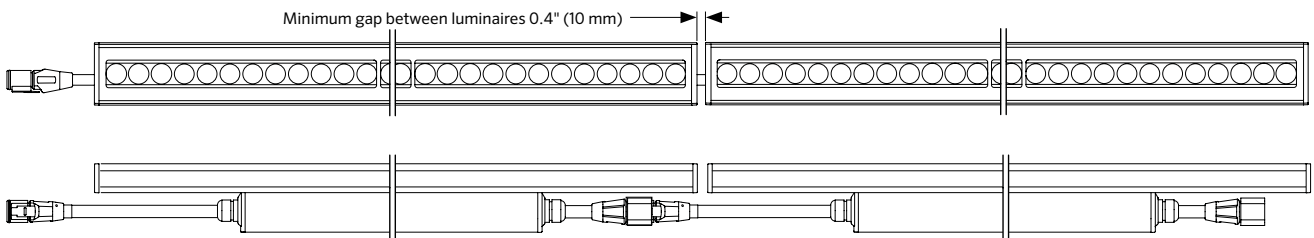
Dimensions



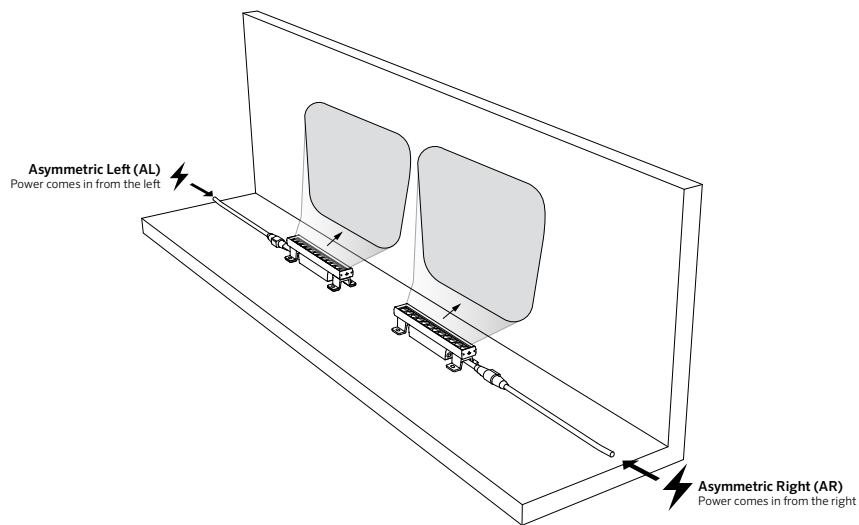
Luminaire Rotation



Mounting & Luminaire Length

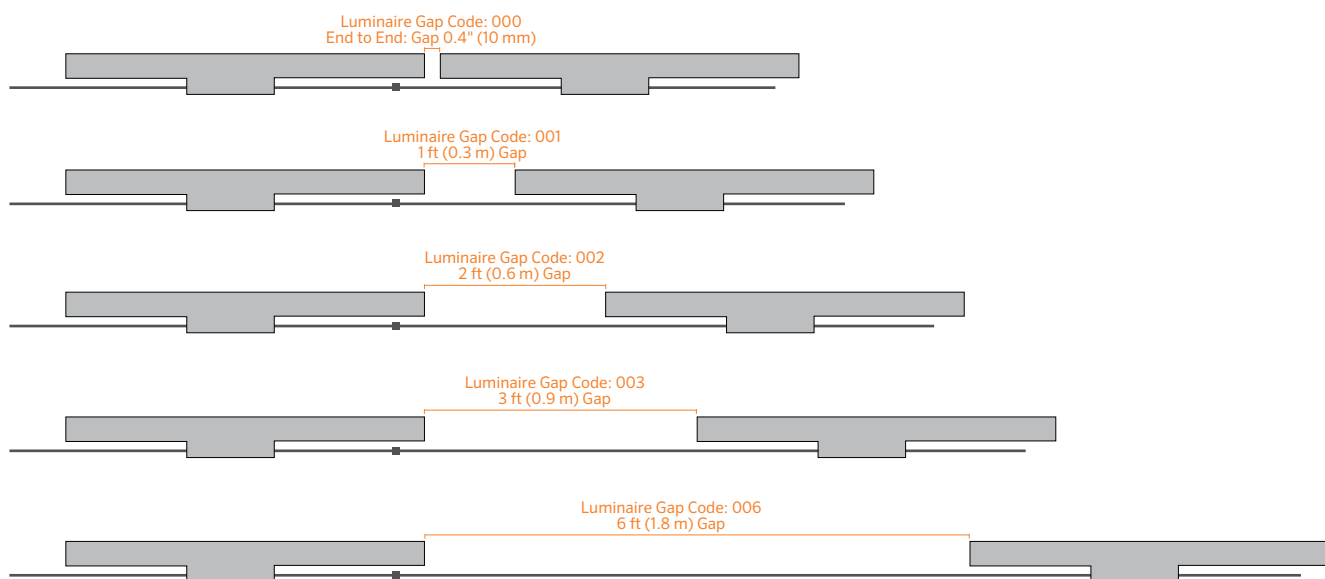
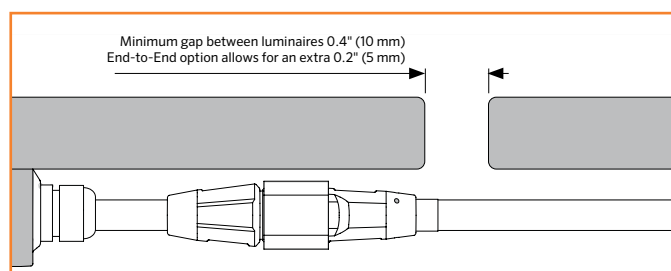


### Asymmetric Optics



### Luminaire Gap

We define the Gap being where the luminaire ends to where the start of the next luminaire. To be able to create the gap, cable length is added to the input connector side. A minimum gap of 0.4" (10 mm) must be applied to cope with thermal expansion.





Accessories

Shielding & Glare Control

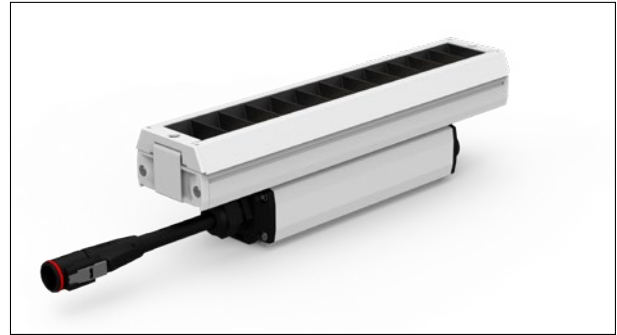
A variety of shielding and glare control options are available for the Linealux L5 Series. The images below depict the one foot version of the luminaire but glare control accessories are available from 1 ft to 4 ft in length to suit any base luminaires.

External / Slatted Louver



Visor Length	Code	Finish	Code
External / Slatted Louvre - 1 ft	LS6209	Black	BL
External / Slatted Louvre - 2 ft	LS6210	Anthracite Gray	AG
External / Slatted Louvre - 3 ft	LS6211	Basalt Gray	BT
External / Slatted Louvre - 4 ft	LS6212	Graphite Gray	GH
		Anodic Silver	SL
		White	WT
		Dark Bronze	DB
		Latte	LT
		Dark Aluminum	DA
		Custom RAL	CC <sup>1</sup>

<sup>1</sup> RAL color required.



External Shield / Visor 1-sided



Visor Length	Code	Finish	Code
External Shield / Visor 1-sided - 1 ft	LS6213	Black	BL
External Shield / Visor 1-sided - 2 ft	LS6214	Anthracite Gray	AG
External Shield / Visor 1-sided - 3 ft	LS6215	Basalt Gray	BT
External Shield / Visor 1-sided - 4 ft	LS6216	Graphite Gray	GH
		Anodic Silver	SL
		White	WT
		Dark Bronze	DB
		Latte	LT
		Dark Aluminum	DA
		Custom RAL	CC <sup>1</sup>

<sup>1</sup> RAL color required.



External Shield / Visor 3-sided

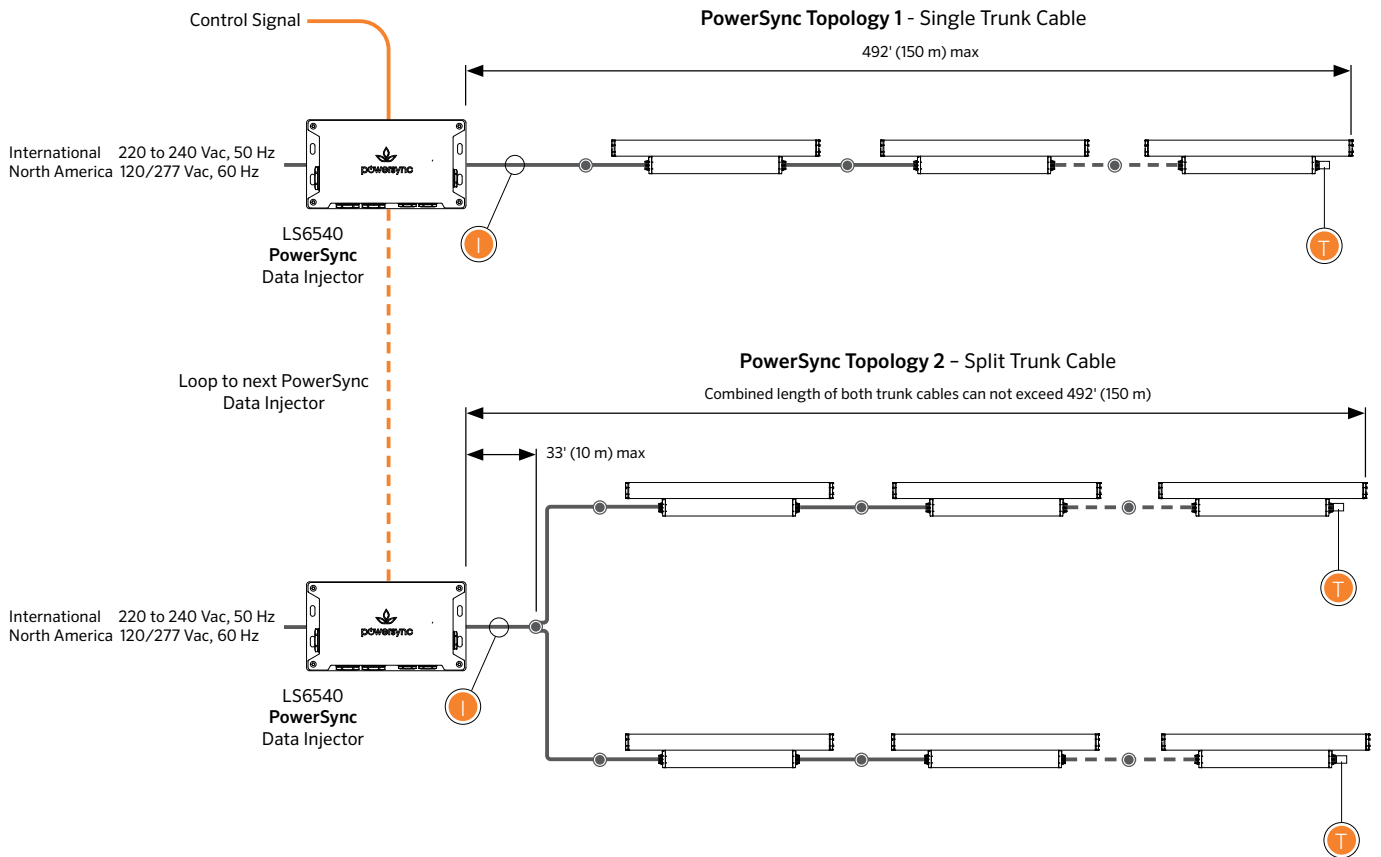


Louvre Length	Code	Finish	Code
External Shield / Visor 3-sided - 1 ft	LS6217	Black	BL
External Shield / Visor 3-sided - 2 ft	LS6218	Anthracite Gray	AG
External Shield / Visor 3-sided - 3 ft	LS6219	Basalt Gray	BT
External Shield / Visor 3-sided - 4 ft	LS6220	Graphite Gray	GH
		Anodic Silver	SL
		White	WT
		Dark Bronze	DB
		Latte	LT
		Dark Aluminum	DA
		Custom RAL	CC <sup>1</sup>

<sup>1</sup> RAL color required.



Network Topology – Line Voltage 220 to 240 Vac, 120/277 Vac Dimmable and Color-Changing via PowerSync4®



Up to 45 luminaires per run under the following conditions:

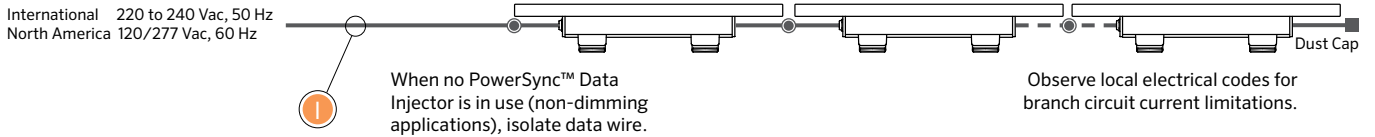
- Max total cable run length 492' (150 m) in up to two trunk cables.
- For run lengths in excess of 100' (30 m), the data wire gauge cannot exceed 14 AWG (2.5 mm<sup>2</sup>).
- For run lengths up to 100' (30 m), the data wire gauge is not governed.
- Refer to 'Maximum Circuit Load' table for circuit limitations.
- Always observe local electrical codes for branch circuit current limitations.

Maximum Circuit Load

Maximum Number of Fixtures per Circuit							
Luminaire Length	Power Consumption	120 V		240 V		277 V	
		Maximum Current					
		12.8 A	16 A	12.8 A	16 A	12.8 A	16 A
1' (312 mm)	19 W/ft	45	45	45	45	45	45
	23 W/ft	41	45	45	45	45	45
2' (618 mm)	19 W/ft	40	45	45	45	45	45
	23 W/ft	28	38	45	45	45	45
3' (915 mm)	19 W/ft	26	35	45	45	45	45
	23 W/ft	19	25	38	45	44	45
4' (1,212 mm)	19 W/ft	20	26	40	45	45	45
	23 W/ft	14	19	28	38	33	44

Refer to PowerSync installation instructions for maximum distance information and topology options. All connectorized options in North America are limited to 12.8 A branch circuit load. Above circuit loading limits are based on maximum circuit current capacity and PowerSync control capacity. Cumulative earth leakage and voltage drop may need to be calculated. For non-continuous runs contact Lumascape for more information. Local wiring rules and requirements may limit circuit loadings, refer to relevant electrical parameters to calculate.

Network Topology – Non-Dimmable



Up to 45 luminaires per run under the following conditions:

- Refer to 'Maximum Circuit Load' table for circuit limitations.
- Always observe local electrical codes for branch circuit current limitations.

- Maximum Current**  
 Maximum current through cables and connectors supplied by Lumascape:  
 ≤12.8 A - Installations in North American Market (UL, ETL)  
 ≤16 A - Installations in International Market (CE, CCC)

- Connection Type**  
 Circuits can be configured as either connectorized or hardwired. For details refer to installation instructions and comply with local electrical codes.

Maximum Circuit Load

Maximum Number of Luminaires per Circuit							
Luminaire Length	Power Consumption	120 V		240 V		277 V	
		Maximum Current					
		12.8 A	16 A	12.8 A	16 A	12.8 A	16 A
1' (322 mm)	19 W/ft	45	45	45	45	45	45
	23 W/ft	41	45	45	45	45	45
2' (618 mm)	19 W/ft	40	45	45	45	45	45
	23 W/ft	28	38	45	45	45	45
3' (915 mm)	19 W/ft	26	35	45	45	45	45
	23 W/ft	19	25	38	45	44	45
4' (1,212 mm)	19 W/ft	20	26	40	45	45	45
	23 W/ft	14	19	28	38	33	44

All connectorized options in North America are limited to 12.8 A branch circuit load.  
 Above circuit loading limits are based on maximum circuit current capacity. Cumulative earth leakage and voltage drop may need to be calculated.  
 For non-continuous runs contact Lumascape for more information.  
 Local wiring rules and requirements may limit circuit loadings, refer to relevant electrical parameters to calculate.

Connectorized Accessories - Line Voltage 220 to 240 Vac

**Leader Cables - PowerSync Line Voltage 220 to 240 Vac**

4-core 1.5 mm<sup>2</sup> or 2.5mm<sup>2</sup> for use in CE/CCC installations. Compatible with all luminaires with Type 73 or 77 connectorized supply cable options. Supplied fitted with an IP68 connector for pairing with the first connectorized luminaire in a Powersync4, Line Voltage circuit. Comes complete with a matching End of Circuit, Powersync4, Line Voltage, Terminator Plug.

Not suitable for use in North America

Cable Type	Code	Cable Type	Code	Length	Code
1.5 mm <sup>2</sup>	LS6402C	PowerSync	PS	10' (3 m)	010
2.5 mm <sup>2</sup>	LS6402C-2.5			32' (10 m)	032
				50' (15 m)	050

**Jumper Cables - PowerSync Line Voltage 220 to 240 Vac**

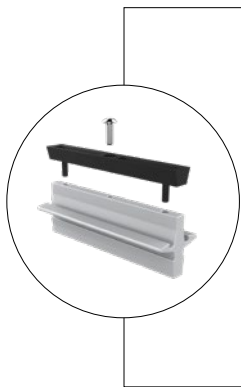
4-core 1.5 mm<sup>2</sup> or 2.5mm<sup>2</sup> for use in CE/CCC installations. Compatible with all luminaires with Type 73 or 77 connectorized supply cable options. Supplied fitted with an IP68 connector for pairing with the first connectorized luminaire in a Powersync4, Line Voltage circuit.

Not suitable for use in North America

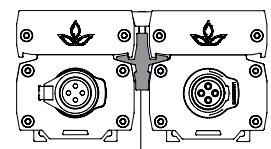
Cable Size	Code	Cable Type	Code	Length	Code
1.5 mm <sup>2</sup>	LS6404C	PowerSync	PS	1' (0.3 m)	001
2.5 mm <sup>2</sup>	LS6404C-2.5			2' (0.6 m)	002
				3' (1 m)	003
				4' (1.2 m)	004
				6' (2 m)	006
				10' (3 m)	010
				16' (5 m)	016
				26' (8 m)	026
				32' (10 m)	032
				50' (15 m)	050

**LS6147 Link Key**

Lighting designers and architects can take advantage of the Lumascape Link Key to interconnect two or more L5 luminaires. Luminaires joined with a link key can be daisy-chained with one cable and individually controlled using Lumascape **PowerSync™** technology. It has never been easier to double, triple or even quadruple the lumen output for any application.



Side View



LS6147 Link Key

Connectorized Accessories - Line Voltage 120/277 Vac

**Leader Cables - PowerSync Line Voltage 120/277 Vac**

4 conductors 14 AWG for use in UL installations. Compatible with Type 73 or 77 connectorized supply cable options. Supplied fitted with an IP68 connector for pairing with the first connectorized luminaire in a Powersync4, Line Voltage circuit. Comes complete with a matching End of Circuit, Powersync4, Line Voltage, Terminator Plug.

For use in North America ONLY

LS6402U		-	[ ]		[ ]	
↑			↑		↑	
Cable Type	Code	Cable Type	Code	Length	Code	
14 AWG	LS6402U	Non-Dimmable	ND	6' (2 m)	006	
		PowerSync	PS	10' (3 m)	010	
				32' (10 m)	032	
				50' (15 m)	050	

**Jumper Cables - PowerSync Line Voltage 120/277 Vac**

4-core 14 AWG for use in UL installations. Compatible with all Luminaires with Type 73 or 77 connectorized supply cable options. Supplied fitted with an IP68 connector for pairing with the first connectorized luminaire in a Powersync4, Line Voltage circuit.

For use in North America ONLY

LS6404U		-	[ ]		[ ]	
↑			↑		↑	
Cable Size	Code	Cable Type	Code	Length	Code	
14 AWG	LS6404U	Non-Dimmable	ND	1' (0.3 m)	001	
		PowerSync	PS	2' (0.6 m)	002	
				3' (1 m)	003	
				4' (1.2 m)	004	
				6' (2 m)	006	
				10' (3 m)	010	
				16' (5 m)	016	
				26' (8 m)	026	
				32' (10 m)	032	
				50' (15 m)	050	

Connectorized Accessories

Terminators

Product	Code
DMX Terminator Hardwired	LS6407
PowerSync Terminator Hardwired, Line Voltage 220 to 240 Vac	LS6406-01
PowerSync Terminator Hardwired, Line Voltage 120/277 Vac	LS6406-09
PowerSync Terminator Connectorized, Line Voltage 220 to 240 Vac, 120/277 Vac	LS6417

\* NOTE:

- DMX Terminators ship with PowerSync Data Injectors.
- Terminators for hardwired PowerSync installations ship with PowerSync Data Injectors.
- Terminators for connectorized PowerSync installations ship with Leader Cables.
- Order separately for spares only.

PowerSync Line Voltage 220 to 240 Vac, 120/277 Vac Data Injector

Combines the convenience of standard wiring methods to translate control signals into a digital format that can be transmitted over standard copper wire. This allows highly granular addressing and high-speed digital control of every luminaire, using only four wires and accepts a growing list of standard protocols (0-10 V, DMX / RDM), for simple integration with a wide selection of control systems using these industry standard protocols.



LS6540		-		2D			
Product	Code	Input Voltage	Code	Control	Code	Finish	Code
Data Injector PS4	LS6540	220 to 240 Vac, 50 Hz (International) 120/277 Vac, 60 Hz (North America)	01 09	DMX/RDM, 0-10 V Input	2D	Black	BL
						Anthracite Gray	AG
						Basalt Gray	BT
						Graphite Gray	GH
						Anodic Silver	SL
						White	WT
						Dark Bronze	DB
						Latte	LT
						Dark Aluminum	DA
						Custom RAL	CC <sup>1</sup>

<sup>1</sup>RAL color required

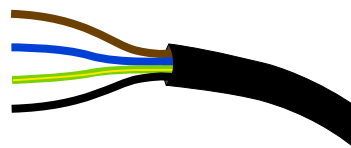
NOTE:

PowerSync Data Injector ships with three (3) hardwired terminators and one (1) hardwired DMX terminator.

Luminaire Wire Colors & Designations

Line Voltage 220 to 240 Vac - International

Designation	Color
Line	Brown
Neutral	Blue
Ground/Earth	Green / Yellow
Data	Black



Line Voltage 120/277 Vac - North America

Designation	Color
Line	Black
Neutral	White
Ground/Earth	Green / Yellow
Data	Orange or Red

