



The Linealux L3 is a compact, high-performance linear grazer luminaire combining technology and performance in a stylish design. Packed with features including **EasyGlow™** visual comfort, **CoolDrive™** thermal management technologies and **MicroAntileach™**. Controllable in 1 foot segments through the use of **PowerSync™** and provides superb color-over-angle consistency and blending of colors even at close blending distances. Available in white, color-changing and tunable white light engines.

Performance

Static White & Color ¹	Lumen Output (lm)	Efficacy (lm/W)	Peak Intensity (cd)
■ 2,700 K (80 CRI)	4,680	88	172,400
■ 3,000 K (80 CRI)	4,880	92	179,800
□ 3,500 K (80 CRI)	5,280	99	194,500
■ 4,000 K (80 CRI)	5,280	99	194,500
■ 5,000 K (70 CRI)	4,880	92	179,800

¹ Lumen output values are based on a 12 W/ft, 4 ft luminaire with 6° lens

Dynamic Color ²	Lumen Output (lm)	Efficacy (lm/W)	Peak Intensity (cd)
■ RGBA	3,264	59	11,200
■ RGBW (4,000 K) with Royal Blue*	3,465	61	12,400

² Lumen output values are based on a 12 W/ft, 4 ft luminaire with 30° lens

Tunable White ³	Lumen Output (lm)	Efficacy (lm/W)	Peak Intensity (cd)
■ 2,700 K - 6,500 K	4,980	94	183,500

³ Lumen output values are based on a 12 W/ft, 4 ft luminaire with 6° lens

Beam Angles	6°, 10°, 15°, 30°, 45°, 60°, 10° x 40°, 20° x 40°, 10° x 60°, 20° x 60°, 100°, Asymmetric
-------------	---

! Other LED colours and CRIs available on request. Contact Lumascope for options.



Products and specifications are subject to change without notice.
LS9030_260128

Electrical

Power Consumption	15.1 W/ft (12 W/ft LED power)
Lifetime	>60,000 hrs (B10, L70, TM21 Reported)
Input Voltage	International 220 - 240 Vac, 50/60 Hz North America 120/277 Vac, 60 Hz
Earth Leakage	0.2 mA @ 120 Vac, 0.42 mA @ 240 Vac, 0.24 mA @ 277 Vac
Thermal Management	CoolDrive™ onboard thermal monitoring and control

Control

Interface	Lumascap PowerSync ®
Protocols¹	DMX/RDM, Artnet, PWM ² , 0 - 10 V (sink or source) ²
PWM Frequency	1.6 kHz flicker-free dimming to 0.1%
Control Resolution	1 ft resolution (300 mm) and full luminaire Configurable via RDM
RDM Functionality	PowerSync enabled Lumascap luminaires are shipped with a default RDM personality which provides smooth dimming control. For different dimming characteristics or to enable other special functionalities, the default personality can be changed through industry standard DMX/RDM.
Systems	Range of third-party controllers

¹ Some protocols require additional hardware. For more information and other available protocols contact Lumascap.

² Not available for color-changing or tunable white

Physical

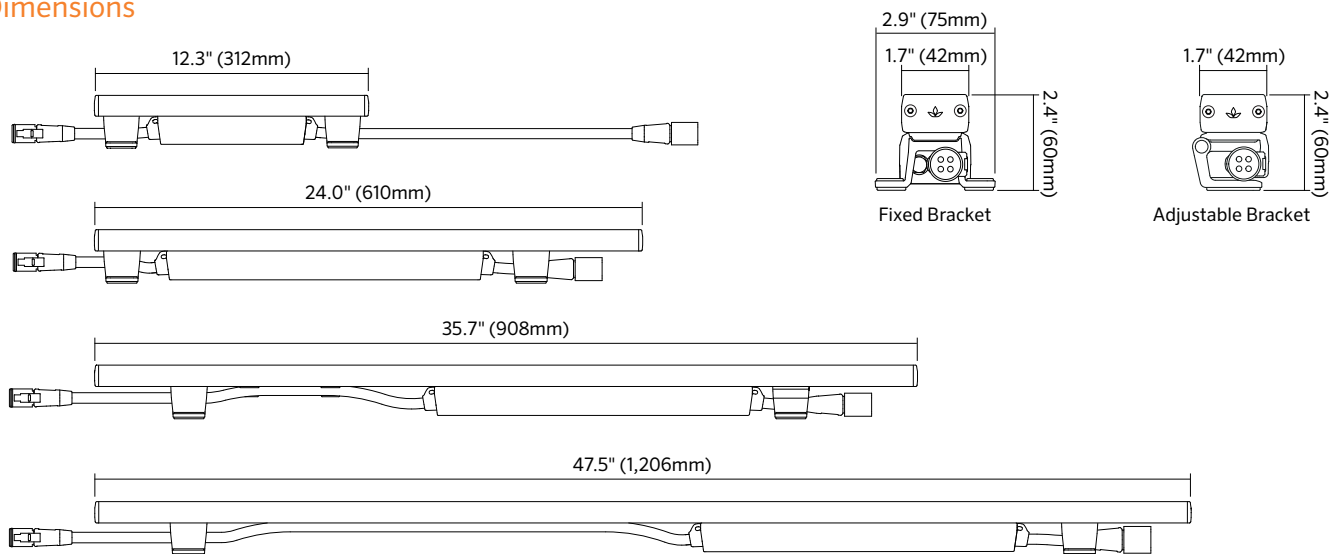
Housing	Marine-grade extruded aluminum, tempered glass lens
Finish	Superior 9-step powder-coating process, including marine-grade epoxy undercoat and polyester top coat
Installation	Surface-mounted with included galvanic isolator
Adjustable	Multi-positional, reversible constant torque locking bracket
Ambient Operating Temperature	-40°F to 122°F (-40°C to 50°C)
Surface Temperature	≤122°F (50°C)
Weight	6.2 lb (2.8 kg) for 4 ft section
Effective Projected Area	0.5 ft ² (0.05 m ²) for 4 ft section

Certification & Compliance

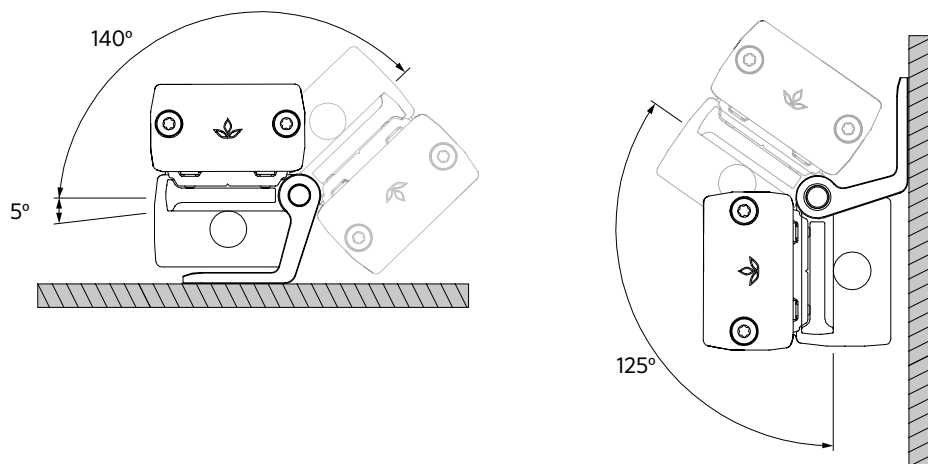
IP Rating	IP66 / IP67 (Passes IP68 Tests)
IK Rating	IK6 Construction; IK10 accessories available on request ¹
Vibration Resistance	3G Rating (ANSI C136.31)
Environment	Dry, Damp, Wet locations
Certifications	ETL, CE, UKCA, RCM

¹ IK10 is not the standard configuration, some restrictions apply. Contact Lumascap for more information

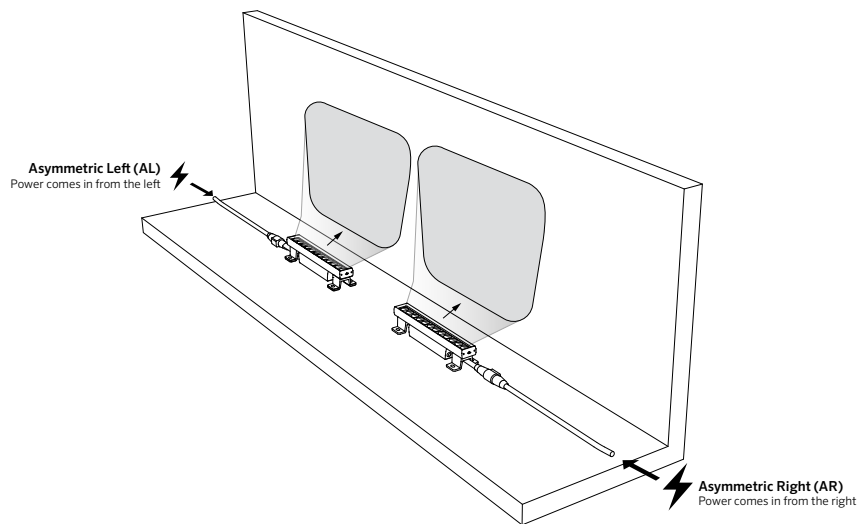
Dimensions



Luminaire Rotation

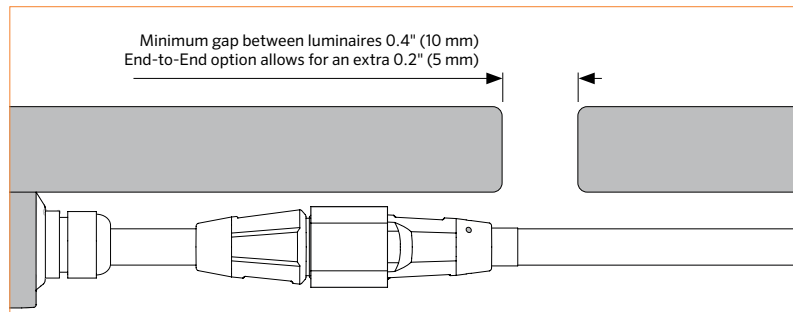


Asymmetric Optics



Luminaire Gap

We define the Gap being where the luminaire ends to where the start of the next luminaire. To be able to create the gap, cable length is added to the input connector side. A minimum gap of 0.4" (10 mm) must be applied to cope with thermal expansion.



Accessories

Shielding & Glare Control

A variety of shielding and glare control options are available for the Linealux L3 Series. The images below depict the one foot version of the luminaire but glare control accessories are available from 1 ft to 4 ft in length to suit any base luminaires.

External / Slatted Louvre

LS6237 -

Visor Length	Code
1 ft	1
2 ft	2
3 ft	3
4 ft	4



External Shield / Visor 1-sided

LS6238 -

Visor Length	Code	Finish	Code
1 ft	1	Black	BL
2 ft	2	Anthracite Gray	AG
3 ft	3	Basalt Gray	BT
4 ft	4	Graphite Gray	GH
		Anodic Silver	SL
		White	WT
		Dark Bronze	DB
		Latte	LT
		Dark Aluminum	DA
		Custom RAL	CC ¹

¹RAL color required



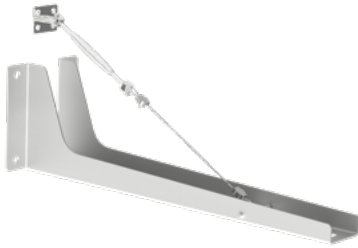
External Shield / Visor 3-sided

LS6239 -

Visor Length	Code	Finish	Code
1 ft	1	Black	BL
2 ft	2	Anthracite Gray	AG
3 ft	3	Basalt Gray	BT
4 ft	4	Graphite Gray	GH
		Anodic Silver	SL
		White	WT
		Dark Bronze	DB
		Latte	LT
		Dark Aluminum	DA
		Custom RAL	CC ¹

¹RAL color required





Stand Off Bracket

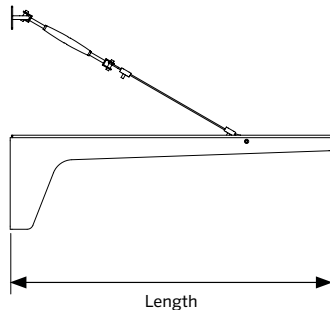
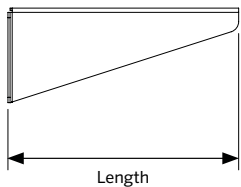
A stand off bracket, allows the luminaire to be installed off the facade. Manufactured from marine-grade 316 stainless steel for long-life in the harshest and isolated environments. Available in five length options and suitable for use with the Quadralux and Linealux luminaires.

Physical

Construction	Marine-grade, 316 stainless steel
Finish	Superior 9-step powder-coating process, including polyester top coat
Length Options	6" (152 mm) 12" (305 mm) 18" (457 mm) 24" (610 mm) 48" (1,219 mm)
Weight	6" - 1.5 lbs (0.7 kg) 12" - 2.7 lbs (1.2 kg) 18" - 3.3 lbs (1.5 kg) 24" - 5.1 lbs (2.3 kg) 48" - 11.2 lbs (5.1 kg)

Dimensions

Side View



Part Number	Length
LS6221-06	8.5" (217 mm)
LS6221-12	14.5" (369 mm)
LS6221-18	20.5" (522 mm)
LS6221-24	26.5" (674.1mm)
LS6221-48	50.6" (1,284 mm)

Mounting

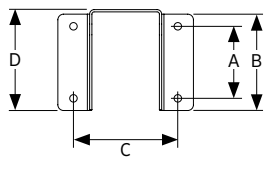


Figure 1

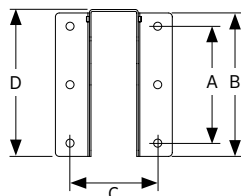


Figure 2

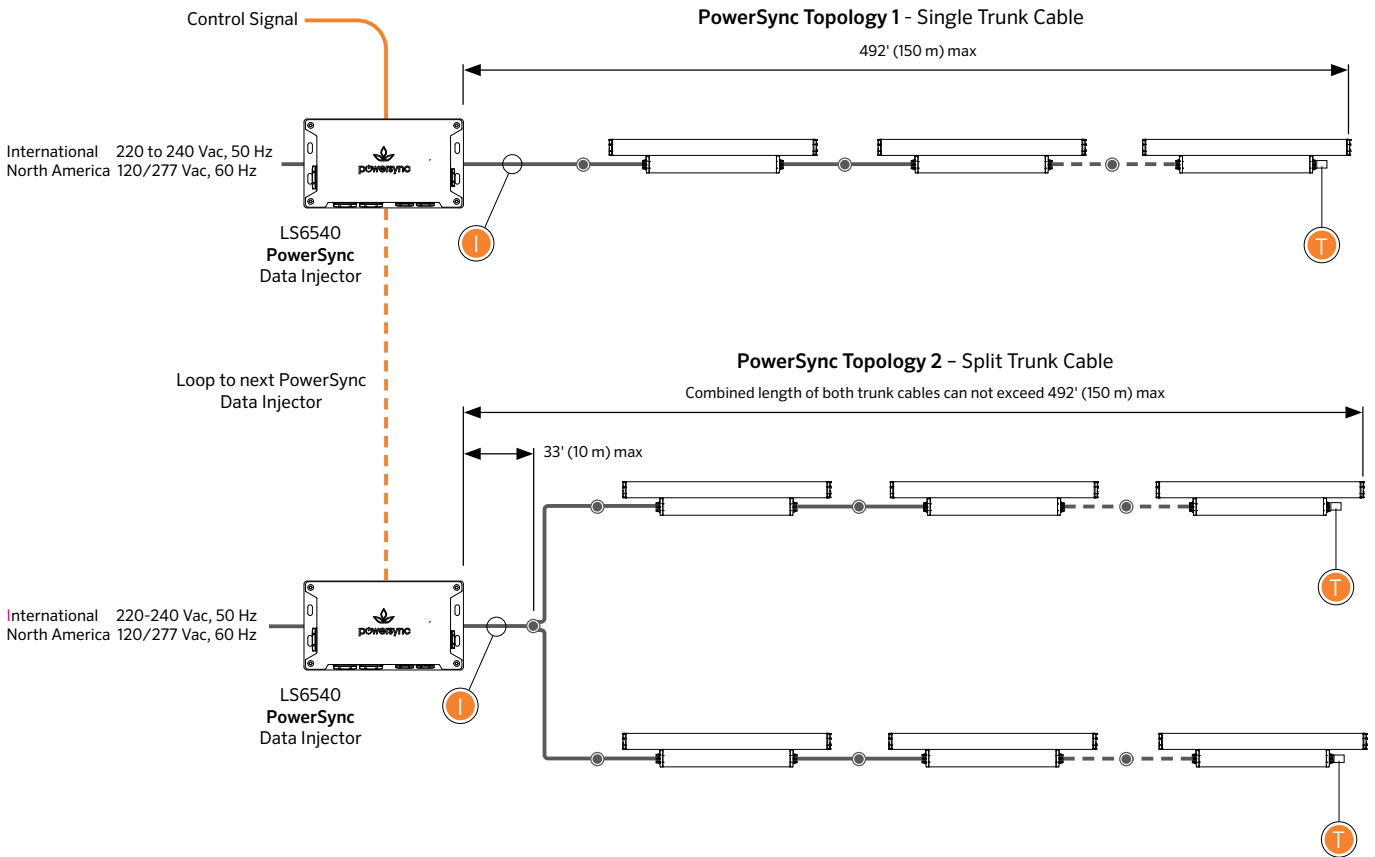
	Part Number	A	B	C	D
Figure 1	LS6221-06	2.5" (64 mm)	3.3" (85 mm)	3.6" (92 mm)	3.5" (89 mm)
	LS6221-12	3.5" (88 mm)	4.3" (110 mm)	4.0" (102 mm)	4.5" (114 mm)
	LS6221-18	4.7" (120 mm)	5.8" (148 mm)	4.1" (104 mm)	6.0" (152 mm)
Figure 2	LS6221-24	6.0" (152 mm)	7.3" (186 mm)	4.5" (114 mm)	7.5" (191 mm)
	LS6221-48	6.9" (176 mm)	8.8" (225 mm)	5.0" (127 mm)	9.0" (229 mm)

Specification Matrix

LS6221	-		
	Length	Code	Finish
	6"	06	Stainless Steel
	12"	12	Black
	18"	18	Anthracite Gray
	24"	24	Basalt Gray
	48"	48	Graphite Gray
			Anodic Silver
			White
			Dark Bronze
			Latte
			Dark Aluminum
			Custom RAL
			Code
			SS
			BL
			AG
			BT
			GH
			SL
			WT
			DB
			LT
			DA
			CC ¹

¹RAL color required

Network Topology - Line Voltage 220 to 240 Vac, 120/277 Vac Dimmable and Color-Changing via PowerSync4™



Up to 45 luminaires per run under the following conditions:

- Max total cable run length 492' (150 m) in up to two trunk cables.
- For run lengths in excess of 100' (30 m), the data wire gauge cannot exceed 14 AWG (2.5 mm²).
- For run lengths up to 100' (30 m), the data wire gauge is not governed.
- Refer to 'Maximum Circuit Load' table for circuit limitations.
- Always observe local electrical codes for branch circuit current limitations.

Maximum Circuit Load

Maximum Number of Fixtures per Circuit		Maximum Current					
Luminaire Length	LED Power	120 V		240 V		277 V	
		12.8 A	16 A	12.8 A	16 A	12.8 A	16 A
1' (312 mm)	5 W/ft	45	45	45	45	45	45
	12 W/ft	45	45	45	45	45	45
2' (610 mm)	5 W/ft	45	45	45	45	45	45
	12 W/ft	40	45	45	45	45	45
3' (908 mm)	5 W/ft	45	45	45	45	45	45
	12 W/ft	26	35	45	45	45	45
4' (1,206 mm)	5 W/ft	42	42	45	45	45	45
	12 W/ft	20	26	40	45	45	45

Refer to PowerSync installation instructions for maximum distance information and topology options. All connectorized options in North America are limited to 12.8 A branch circuit load. Above circuit loading limits are based on maximum circuit current capacity and PowerSync control capacity. Cumulative earth leakage and voltage drop may need to be calculated. For non-continuous runs, contact Lumascape for more information. Local wiring rules and requirements may limit circuit loadings, refer to relevant electrical parameters to calculate.

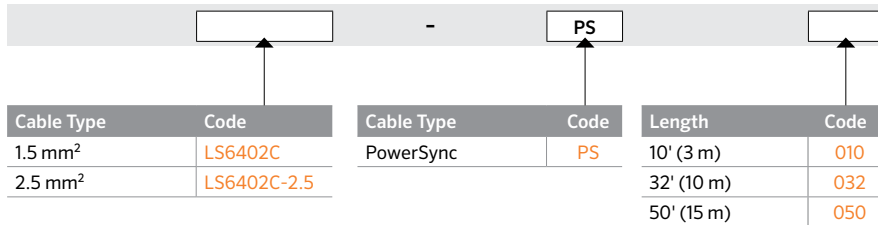
- T Terminator**
Use PowerSync™ terminator, supplied with leader cable to terminate last luminaire in chain.
- I Maximum Current**
Maximum current through cables and connectors supplied by Lumascape:
≤12.8 A - Installations in North American Market (UL, ETL)
≤16 A - Installations in International Market (CE, CCC)
- Connection Type**
Circuits can be configured as either connectorized or hardwired. For details refer to installation instructions and comply with local electrical codes.

Connectorized Accessories - Line Voltage 220 to 240 Vac

Leader Cables - PowerSync Line Voltage 220 to 240 Vac

4-core 1.5 mm² or 2.5mm² for use in CE/CCC installations. Compatible with all luminaires with Type 73 or 77 connectorized supply cable options. Supplied fitted with an IP68 connector for pairing with the first connectorized luminaire in a Powersync4, Line Voltage circuit. Comes complete with a matching End of Circuit, Powersync4, Line Voltage, Terminator Plug.

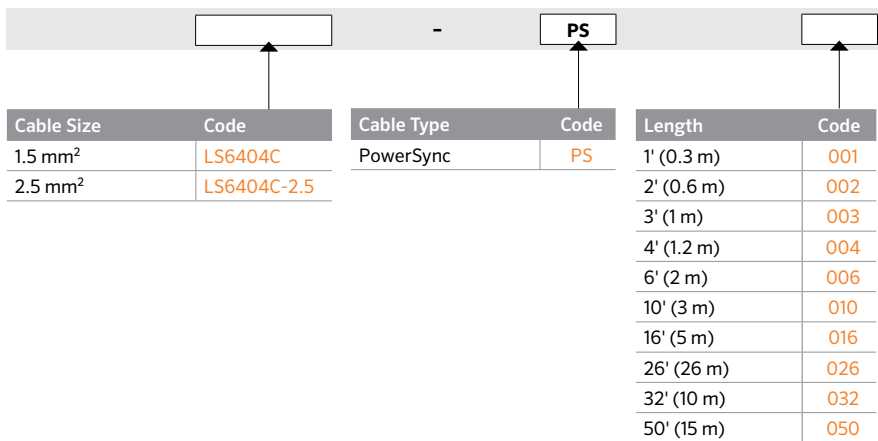
Not suitable for use in North America



Jumper Cables - PowerSync Line Voltage 220 to 240 Vac

4-core 1.5 mm² or 2.5mm² for use in CE/CCC installations. Compatible with all luminaires with Type 73 or 77 connectorized supply cable options. Supplied fitted with an IP68 connector for pairing with the first connectorized luminaire in a Powersync4, Line Voltage circuit.

Not suitable for use in North America



Connectorized Accessories - Line Voltage 120/277 Vac

Leader Cables - PowerSync Line Voltage 120/277 Vac

4 conductors 14 AWG for use in UL installations. Compatible with Type 73 or 77 connectorized supply cable options. Supplied fitted with an IP68 connector for pairing with the first connectorized luminaire in a Powersync4, Line Voltage circuit. Comes complete with a matching End of Circuit, Powersync4, Line Voltage, Terminator Plug.

For use in North America ONLY

LS6402U		-	PS		
Cable Type	Code	Cable Type	Code	Length	Code
14 AWG	LS6402U	PowerSync	PS	10' (3 m)	010
				32' (10 m)	032
				50' (15 m)	050

Jumper Cables - PowerSync Line Voltage 120/277 Vac

4-core 14 AWG for use in UL installations. Compatible with all Luminaires with Type 73 or 77 connectorized supply cable options. Supplied fitted with an IP68 connector for pairing with the first connectorized luminaire in a Powersync4, Line Voltage circuit.

For use in North America ONLY

LS6404U		-	PS		
Cable Size	Code	Cable Type	Code	Length	Code
14 AWG	LS6404U	PowerSync	PS	1' (0.3 m)	001
				2' (0.6 m)	002
				3' (1 m)	003
				4' (1.2 m)	004
				6' (2 m)	006
				10' (3 m)	010
				16' (5 m)	016
				26' (8 m)	026
				32' (10 m)	032
				50' (15 m)	050

Connectorized Accessories

Terminators

Product	Code
DMX Terminator Hardwired	LS6407
PowerSync Terminator Hardwired, Line Voltage 220 to 240 Vac	LS6406-01
PowerSync Terminator Hardwired, Line Voltage 120/277 Vac	LS6406-09
PowerSync Terminator Connectorized, Line Voltage 220 to 240 Vac, 120/277 Vac	LS6417

* NOTE:

- DMX Terminators ship with PowerSync Data Injectors.
- Terminators for hardwired PowerSync installations ship with PowerSync Data Injectors.
- Terminators for connectorized PowerSync installations ship with Leader Cables.
- Order separately for spares only.

PowerSync Line Voltage 220 to 240 Vac, 120/277 Vac Data Injector

Combines the convenience of standard wiring methods to translate control signals into a digital format that can be transmitted over standard copper wire. This allows highly granular addressing and high-speed digital control of every luminaire, using only four wires and accepts a growing list of standard protocols (0-10 V, DMX / RDM), for simple integration with a wide selection of control systems using these industry standard protocols.



Product	Code	Input Voltage	Code	Control	Code	Finish	Code
Data Injector PS4	LS6540	220 to 240 Vac, 50 Hz (International)	01	DMX/RDM, 0-10 V Input	2D	Black	BL
		120/277 Vac, 60 Hz (North America)	09			Anthracite Gray	AG
						Basalt Gray	BT
						Graphite Gray	GH
						Anodic Silver	SL
						White	WT
						Dark Bronze	DB
						Latte	LT
						Dark Aluminum	DA
						Custom RAL	CC'

NOTE:

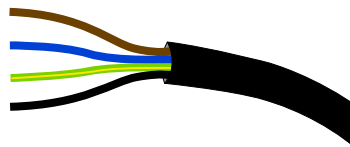
PowerSync Data Injector ships with three (3) hardwired terminators and one (1) hardwired DMX terminator.

¹RAL color required

Luminaire Wire Colors & Designations

Line Voltage 220 to 240 Vac - International

Designation	Color
Line	Brown
Neutral	Blue
Ground/Earth	Green / Yellow
Data	Black



Line Voltage 120/277 Vac - North America

Designation	Color
Line	Black
Neutral	White
Ground/Earth	Green / Yellow
Data	Orange or Red

