



Lumascapе’s LS6560 Protocol Converter has been designed to convert DMX to PWM, DALI to PWM, DALI to DMX and 0-10V to PWM. This effectively allows for seamless integration of Lumascapе products into most commercial lighting installations.

PowerSync™ enabled luminaires can now be controlled via DALI with ease. The DMX output signal of the LS6560 Protocol Translator can be fed directly into the LS6540, LS6550 or LS6555 PowerSync™ Data Injectors to control any PowerSync™ enabled luminaires on the network.

The LS6560 is also suitable to control Lumascapе PWM enabled luminaires.

**General**

Unit Operating Voltage Range	12-30 V DC
Unit Operating Power Consumption	1.5 W
Electrical Connections	Terminal Block
Protocol Conversions	DMX to PWM, DALI to PWM, DALI to DMX, 0-10V to PWM

**PWM**

Output Channels	4
Max Luminaires	20 per PWM channel. Additionally subject to voltage drop and power supply limitation.
PWM Frequencies Supported	100Hz, 200Hz, 400Hz, 800Hz, 1600Hz (configurable)
PWM Output	Active Low (pulling to ground)
PWM Duty Cycle	Normal / Inverted (configurable)
PWM Input/Output Voltage	12-30 V DC
PWM Current/Channel	≤1.2 A
PWM Output Range	2% - 98% (Compatible with Lumascapе PWM controlled luminaires)

**0-10 V**

Input Channels	2
Input Control	Sinking / Sourcing
10V Output	11 V ± 1 V
Input Control Voltage Range	1.5 - 10 V DC

**DALI**

Protocols / Type	DALI 1, DT6
Channels	64 (DMX 64 pass through, PWM 4 pass through)
Daisy Chain	Yes - for DALI to PWM
Physical Connections	1 (Loop-in-Loop-Out)
Dimming	Support for linear or logarithmic dimming curve via Application Extended Commands (DT6 device)
Fading	Support for standard DALI fade times, fade rates, fast fade times, extended fade times
Addressing	Supports broadcast, group and individual addressing



Products and specifications are subject to change without notice. LS6560\_260216

DMX

Channels	4 DMX to 4 PWM (adressable)
Physical Connections	1
Daisy Chain	Yes - for DMX to PWM

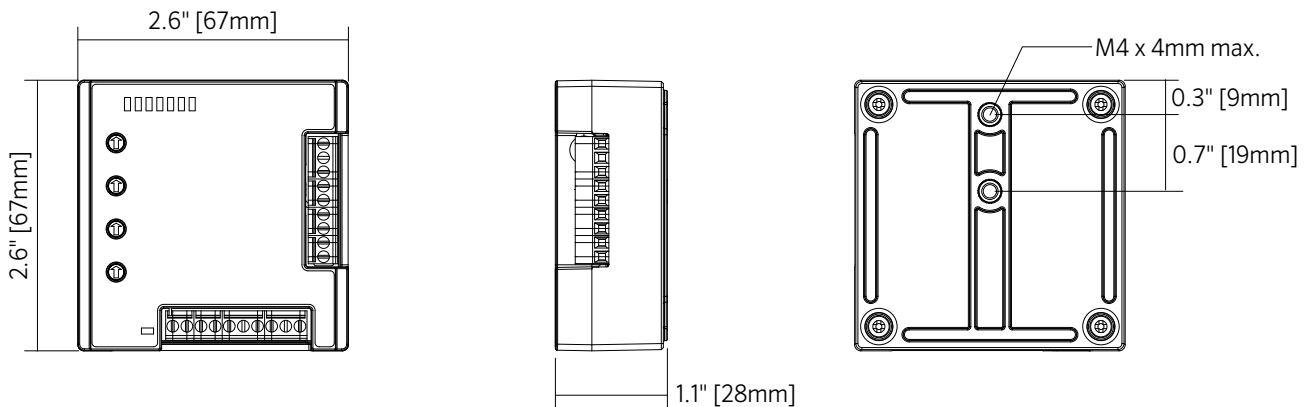
Physical

Housing	Polymer
Finish	black
Mounting	35 mm DIN Rail / Direct surface mount
Ambient Operating Temperature	-4 °F to 122 °F (-20 °C to 50 °C) non-condensing
Weight	3.5 oz (100 g)

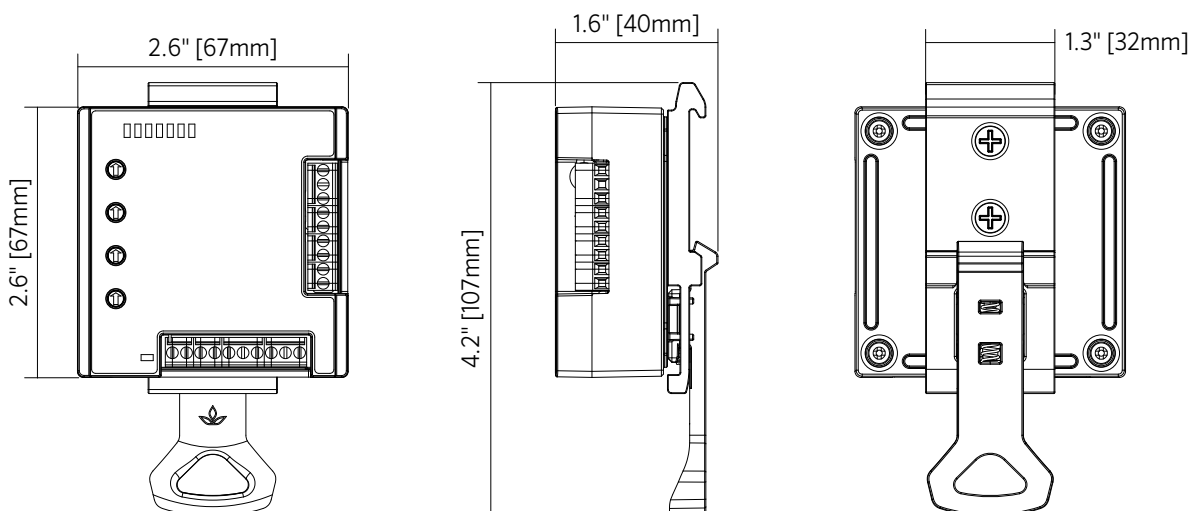
Certification & Compliance

IP Rating	IP30
Approved Use	Extra low voltage lighting systems
Environment	Dry locations only
Certifications	UL, CE, FCC

Dimensions



Dimensions with DIN Rail Mount



Overview

LED Indicators

■ Power	Steady on. Indicates that device is powered up and operational.
■ Status	Flashing every 1 second. Indicates the unit is functioning normally.
■ DALI RX	Indicates incoming DALI traffic.
■ DALI TX	Indicates outgoing DALI traffic.
■ DMX RX	Indicates incoming DMX traffic. Turns off LED after 5 seconds of inactivity.
■ DMX TX	Indicates outgoing DMX traffic.
■ DIAG	Not used

Rotary Switches

Mode / Address Switch

Value	Mode
0-5	DMX to PWM
6	DALI to PWM
7	DALI to DMX
8	0-10V to PWM
9	Test Mode

PWM Settings

Value	PWM Frequency
0	100Hz
1	200Hz
2	400Hz
3	800Hz
4	1600Hz
5	Inv-100Hz
6	Inv-200Hz
7	Inv-400Hz
8	Inv-800Hz
9	Inv-1600Hz

Address Switches

USB-C Port and Indicator LED  
*Firmware update only*

Terminals PWM

Terminals DALI  
*Daisy chain if needed*

Terminals 0-10V

Terminals DMX  
*Daisy chain if needed*

Power In  
12-30 V DC  
Min. supply current  
500mA

Test Mode  
Outputs a PWM test signal:  
Ch1=10%  
Ch2=20%  
Ch3=30%  
Ch4=40%

