



The Linealux L3 Foundation is a compact, high-performance linear grazer luminaire combining technology and performance in a stylish design. Packed with features including EasyGlow™ visual comfort and, CoolDrive™ thermal management technologies. Designer optics, provide superb color-over-angle consistency and color blending even at close distances. Available with DALI, 0-10 V dimming or non-dimmable configurations.

Performance

Static White & Color <sup>1</sup>	Lumen Output (lm)	Efficacy (lm/W)	Peak Intensity (cd)
■ 2,700 K (80 CRI)	4,080	92	137,000
■ 3,000 K (80 CRI)	4,450	100	149,200
□ 3,500 K (80 CRI)	4,630	104	155,300
■ 4,000 K (80 CRI)	4,810	108	161,400
■ 5,000 K (70 CRI)	4,450	100	149,200

<sup>1</sup> Lumen output values are based on a 12 W/ft, 4 ft luminaire with 6° lens

<b>Beam Angles</b>	6°, 10°, 15°, 30°, 45°, 60°, 10° x 40°, 20° x 40°, 10° x 60°, 20° x 60°, 100°, Asymmetric
--------------------	---



Products and specifications are subject to change without notice.  
LS9032\_260309

**Electrical**

<b>Power Consumption</b>	27 W/2 ft, 35 W/3 ft, 46 W/4 ft (12 W/ft nominal)
<b>Lifetime</b>	>60,000 hrs (B10, L70, TM21 Reported)
<b>Input Voltage</b>	International 220 to 240 Vac, 50 Hz North America 120/277 Vac, 60 Hz
<b>Earth Leakage</b>	0.2 mA @ 120 Vac, 0.42 mA @ 240 Vac, 0.24 mA @ 277 Vac
<b>Thermal Management</b>	CoolDrive™ onboard thermal monitoring and control

**Control**

<b>Protocols</b>	DALI® 2 (International), 0-10 V (North America), Non-Dimmable
------------------	---

**Physical**

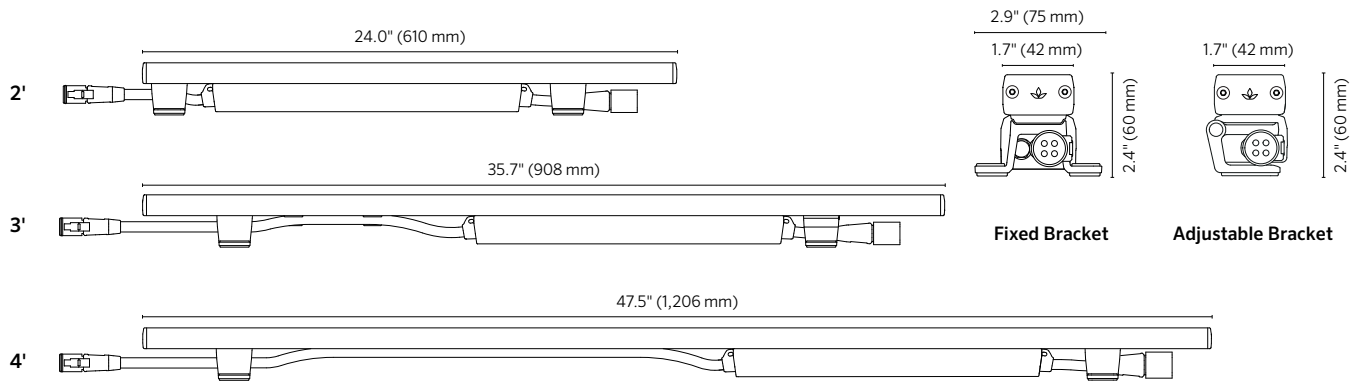
<b>Housing</b>	Marine-grade extruded aluminum, tempered glass lens
<b>Finish</b>	Superior 9-step powder-coating process, including marine-grade epoxy undercoat and polyester top coat
<b>Installation</b>	Surface-mounted with included galvanic isolator
<b>Adjustable</b>	Multi-positional, reversible constant torque locking bracket
<b>Ambient Operating Temperature</b>	-40°F to 122°F (-40°C to 50°C)
<b>Surface Temperature</b>	≤122°F (50°C)
<b>Weight</b>	6.2 lb (2.8 kg) for 4 ft section
<b>Effective Projected Area</b>	0.5 ft <sup>2</sup> (0.05 m <sup>2</sup> ) for 4 ft section

**Certification & Compliance**

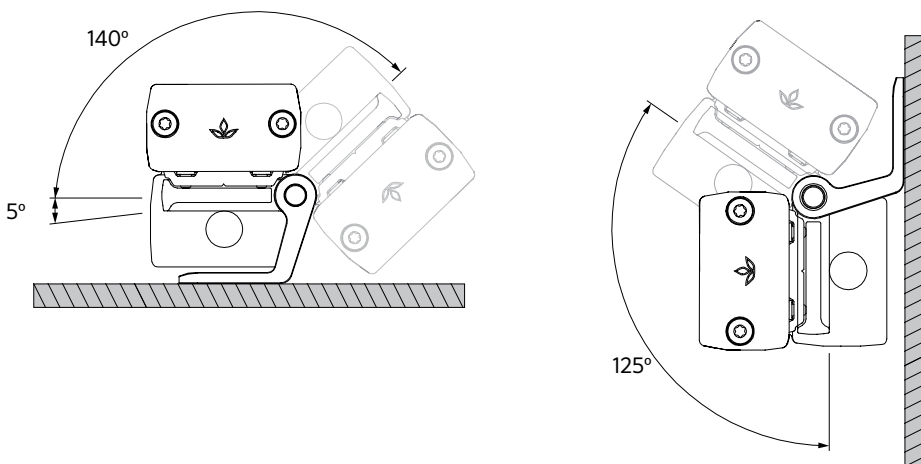
<b>IP Rating</b>	IP66 / IP67 (Passes IP68 Tests)
<b>IK Rating</b>	IK6 Construction; IK10 accessories available on request <sup>1</sup>
<b>Vibration Resistance</b>	3G Rating (ANSI C136.31)
<b>Environment</b>	Dry, Damp, Wet locations
<b>Certifications</b>	ETL, CE, UKCA, RCM

<sup>1</sup> IK10 is not the standard configuration, some restrictions apply. Contact Lumascape for more information

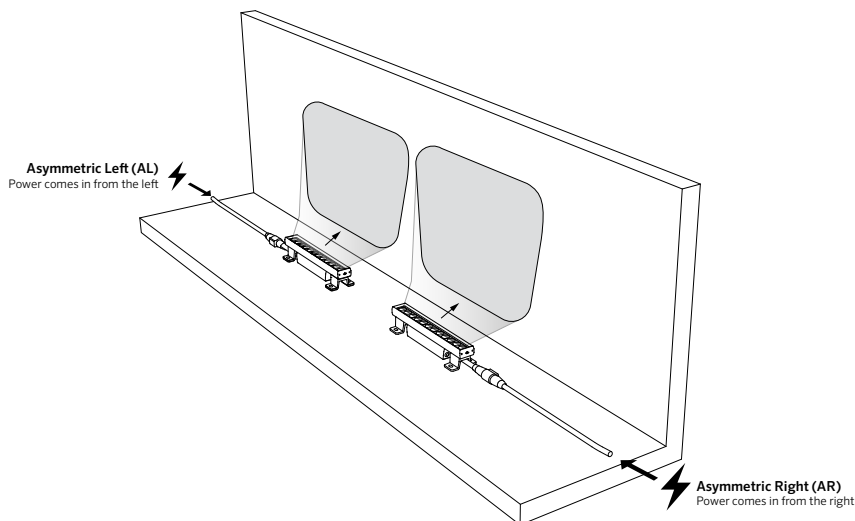
Dimensions



Luminaire Rotation

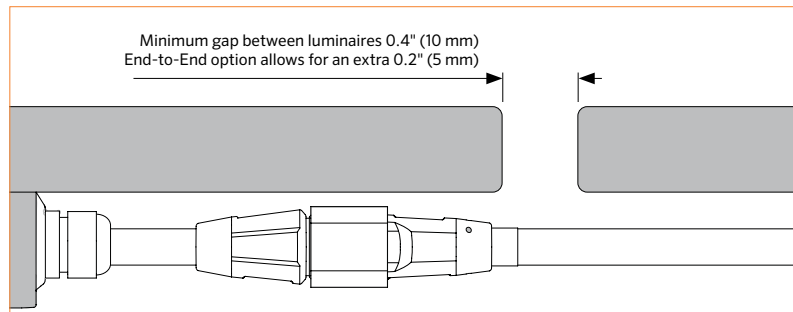


Asymmetric Optics



### Luminaire Gap

We define the Gap being where the luminaire ends to where the start of the next luminaire. To be able to create the gap, cable length is added to the input connector side. A minimum gap of 0.4" (10 mm) must be applied to cope with thermal expansion.





Accessories

Shielding & Glare Control

A variety of shielding and glare control options are available for the Linealux L3 Series. The images below depict the one foot version of the luminaire but glare control accessories are available from 1 ft to 4 ft in length to suit any base luminaires.

External / Slatted Louvre

LS6237 -

Visor Length	Code
1 ft	1
2 ft	2
3 ft	3
4 ft	4



External Shield / Visor 1-sided

LS6238 -

Visor Length	Code	Finish	Code
1 ft	1	Black	BL
2 ft	2	Anthracite Gray	AG
3 ft	3	Basalt Gray	BT
4 ft	4	Graphite Gray	GH
		Anodic Silver	SL
		White	WT
		Dark Bronze	DB
		Latte	LT
		Dark Aluminum	DA
		Custom RAL	CC <sup>1</sup>

<sup>1</sup>RAL color required



External Shield / Visor 3-sided

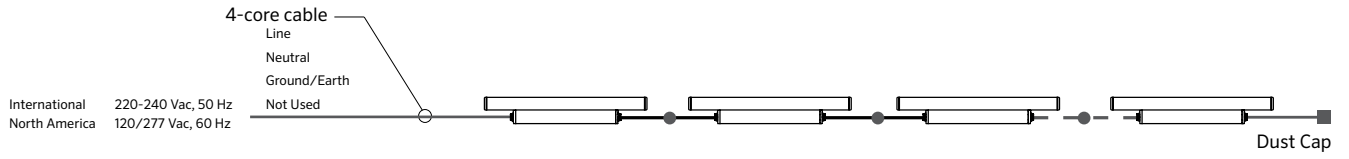
LS6239 -

Visor Length	Code	Finish	Code
1 ft	1	Black	BL
2 ft	2	Anthracite Gray	AG
3 ft	3	Basalt Gray	BT
4 ft	4	Graphite Gray	GH
		Anodic Silver	SL
		White	WT
		Dark Bronze	DB
		Latte	LT
		Dark Aluminum	DA
		Custom RAL	CC <sup>1</sup>

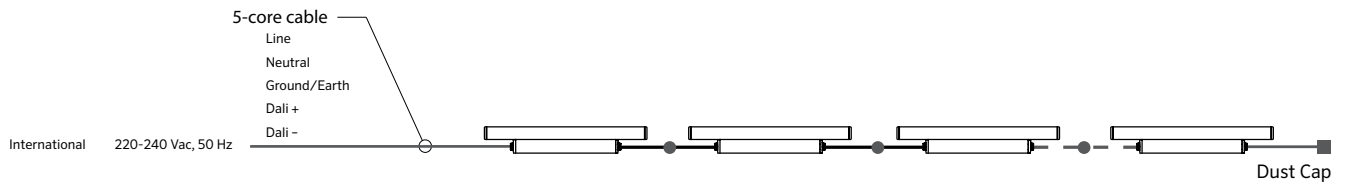
<sup>1</sup>RAL color required



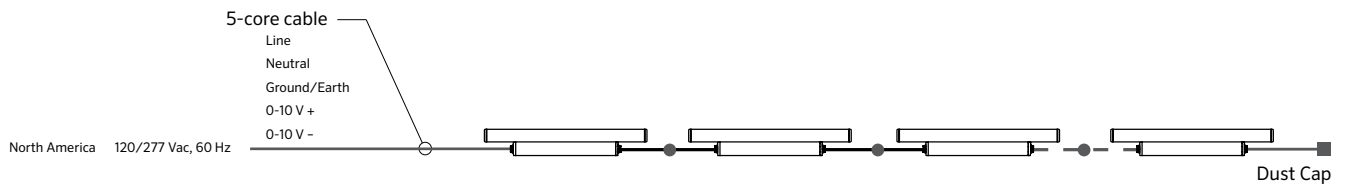
### Network Topology - Non-Dimmable



### Network Topology - DALI



### Network Topology - 0-10 V

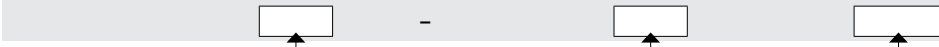


Connectorized Accessories - Line Voltage 220 to 240 Vac

**Leader Cables - Line Voltage 220 to 240 Vac**

1.5 mm<sup>2</sup> or 2.5mm<sup>2</sup> for use in CE/CCC installations. Compatible with all luminaires with Type 73 or 77 connectorized supply cable options. Supplied fitted with an IP68 connector for pairing with the first connectorized luminaire in a line voltage circuit. Comes complete with a matching end of circuit, line voltage terminator plug.

*Not suitable for use in North America*



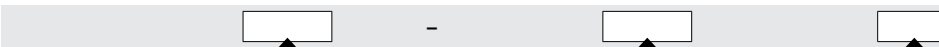
Cable Type	Code	Cable Type	Code	Length	Code
1.5 mm <sup>2</sup>	LS6402C	Non-Dimmable (4-core cable)	ND	6' (2 m)	006
2.5 mm <sup>2</sup>	LS6402C-2.5	DALI (5-core cable)	DL <sup>1</sup>	10' (3 m)	010
				32' (10 m)	032
				50' (15 m)	050

<sup>1</sup> Available in 1.5 mm<sup>2</sup> cable only

**Jumper Cables - Line Voltage 220 to 240 Vac**

1.5 mm<sup>2</sup> or 2.5mm<sup>2</sup> for use in CE/CCC installations. Compatible with all luminaires with Type 73 or 77 connectorized supply cable options. Supplied fitted with an IP68 connector for pairing with the first connectorized luminaire in a line voltage circuit.

*Not suitable for use in North America*



Cable Type	Code	Cable Type	Code	Length	Code
1.5 mm <sup>2</sup>	LS6404C	Non-Dimmable (4-core cable)	ND	1' (0.3 m)	001
2.5 mm <sup>2</sup>	LS6404C-2.5	DALI (5-core cable)	DL <sup>1</sup>	2' (0.6 m)	002
				3' (1 m)	003
				4' (1.2 m)	004
				6' (2 m)	006
				10' (3 m)	010
				16' (5 m)	016
				26' (26 m)	026
				32' (10 m)	032
				50' (15 m)	050


<sup>1</sup> Available in 1.5 mm<sup>2</sup> cable only

Connectorized Accessories – Line Voltage 120/277 Vac

**Leader Cables – Line Voltage 120/277 Vac**

14 AWG cable for use in UL installations. Compatible with all luminaires with Type 73 or 77 connectorized supply cable options. Supplied fitted with an IP68 connector for pairing with the first connectorized luminaire in a Powersync4, Line Voltage circuit. Comes complete with a matching End of Circuit, Powersync4, Line Voltage, Terminator Plug.

*For use in North America ONLY*




Cable Type	Code	Cable Type	Code	Length	Code
14 AWG	LS6402U	Non-Dimmable (4-core cable)	ND	6' (2 m)	006
		0-10 V (5-core cable)	AH	10' (3 m)	010
				32' (10 m)	032
				50' (15 m)	050

**Jumper Cables – Line Voltage 120/277 Vac**

14 AWG for use in UL installations. Compatible with all Luminaires with Type 73 or 77 connectorized supply cable options. Supplied fitted with an IP68 connector for pairing with the first connectorized luminaire in a Powersync4, Line Voltage circuit.

*For use in North America ONLY*

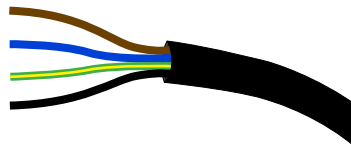


Cable Type	Code	Cable Type	Code	Length	Code
14 AWG	LS6404U	Non-Dimmable (4-core cable)	ND	1' (0.3 m)	001
		0-10 V (5-core cable)	AH	2' (0.6 m)	002
				3' (1 m)	003
				4' (1.2 m)	004
				6' (2 m)	006
				10' (3 m)	010
				16' (5 m)	016
				26' (26 m)	026
				32' (10 m)	032
				50' (15 m)	050

Luminaire Wire Colors & Designations

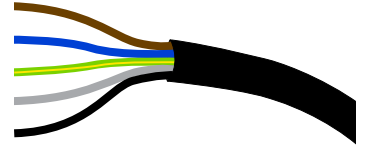
Line Voltage 220 to 240 Vac, Non-Dimmable - International

Designation	Color
Line	Brown
Neutral	Blue
Ground/Earth	Green / Yellow
Not used	Black



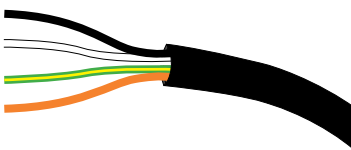
Line Voltage 220 to 240 Vac, DALI - International

Designation	Color
Line	Brown
Neutral	Blue
Ground/Earth	Green / Yellow
DALI +	Gray
DALI -	Black



Line Voltage 120/277 Vac, Non-Dimmable - North America

Designation	Color
Line	Black
Neutral	White
Ground/Earth	Green / Yellow
Not used	Orange or Red



Line Voltage 120/277 Vac, 0 to 10 V - North America

Designation	Color
Line	Black
Neutral	White
Ground/Earth	Green / Yellow
0-10 V +	Purple
0-10 V -	Pink or Gray

