

LS6054
Stake Mount
Concrete Anchor
Order Separately



LS2010

WARNING

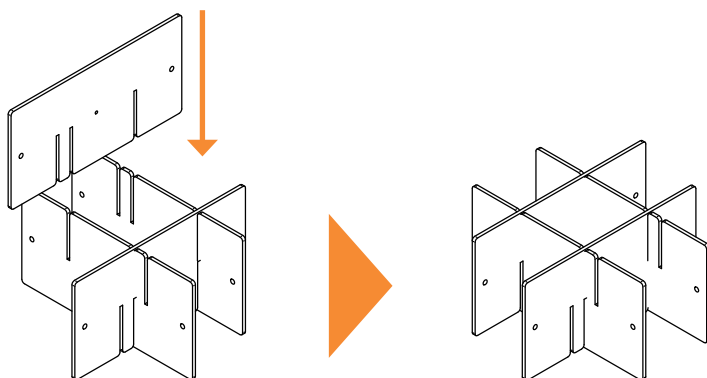
Install in accordance with
National Electric Code, ANSI/NFPA 70 or
the Canadian Electrical Code,
Part I (CEC), CSA C22.1

READ ALL SAFETY INSTRUCTIONS FIRST

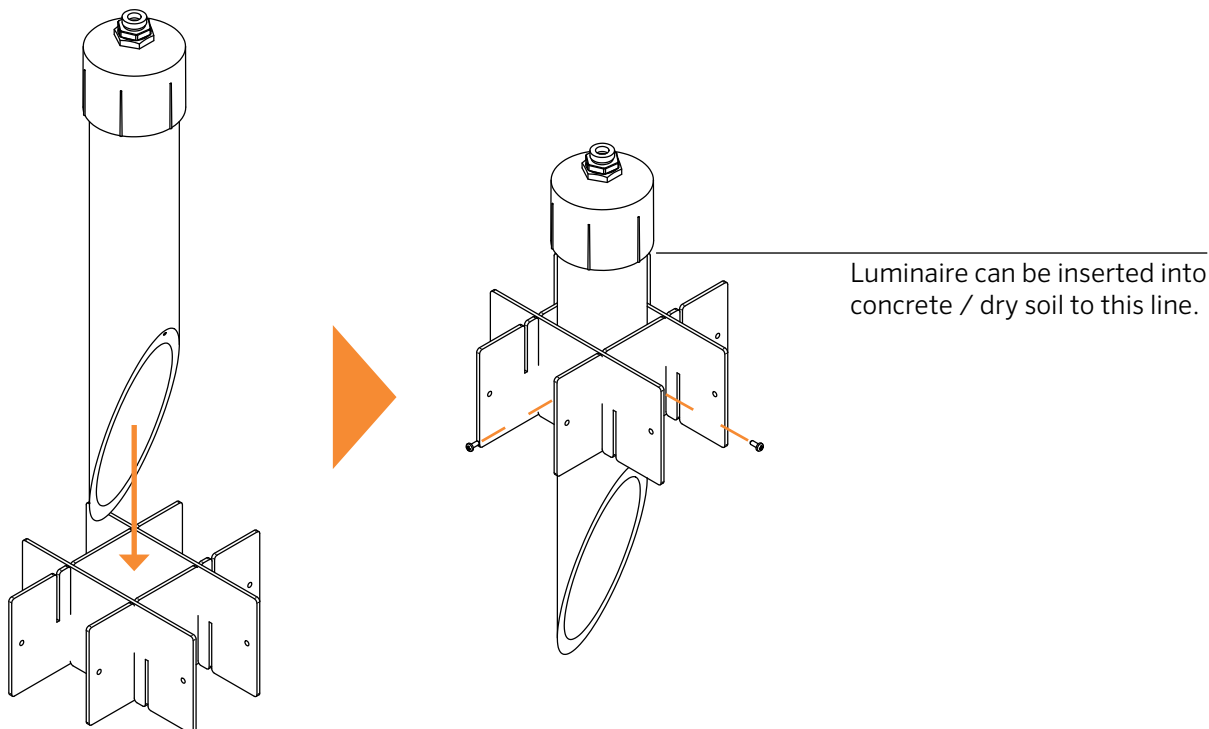
- › Follow instructions carefully, failure to do so will void warranty.
- › Ensure installation complies with local law and applicable standards.
- › Input voltage is:
120-277 V AC, 50/60 Hz or 30-48 V DC
- › Only use Lumascape power supply, control equipment and leader cables.
- › Ensure mains input power is surge protected.
- › Never make connections whilst the power is connected.
- › Do not make modifications or alter the product.
- › Keep luminaire and connections clean and free of debris and moisture.
- › It is the installers responsibility that the installation is adequately sealed to avoid moisture ingress.

North American Market - Assemble Concrete Anchor / Spike

Step 1 If required, assemble the anchoring fins. These can be attached to the Mounting Spike / Concrete Anchor to increase the stability and to eliminate any rotational movement in the finished installation.



Step 2 Slide in the Mounting Spike / Concrete Anchor between the assembled Anchoring Fins. Secure the fins to the anchor using screws. It is not time to attach the luminaire to the Spike / Anchor.



North American Market

