

The Reed RD2 is designed for aligning with vertical spaces, the wall-mounted Reed RD2 step light is an elegant solution for lighting entryways, paths of egress, stairs, and a range of other exterior environments. The recessed and flush-mount installation allows the architecture to stand out with a minimalist solution. Both the recessed integrated LED light source and the tight-stepped baffle design provide diffused and soft transitions, low average-to-min illuminance ratios, and angular patterns for a refined expression of architectural and lighting design.

Performance

Static White & Color <sup>1</sup>	Lumen Output (lm)	Input Watts (W)	Efficacy (lm/W)	Peak Intensity (cd)
● 2,700 K (80+ CRI)	173	8.1	21.3	108
● 3,000 K (80+ CRI)	180	8.1	22.2	113
○ 3,500 K (80+ CRI)	187	8.1	23.1	117
● 4,000 K (80+ CRI)	195	8.1	24.1	122

<sup>1</sup> Lumen output values are extrapolated from an LM-79 test, using 3,000 K, the DALI driver, and a white finish.



Products and specifications are subject to change without notice.  
LS1252\_260428

## Electrical

<b>LED Power</b>	7.5 W
<b>Power Consumption</b>	9.0 W
<b>Lifetime</b>	>60,000 hrs (L70   B10)
<b>Input Voltage</b>	220-240 Vac, 50 Hz (International) 120/277 Vac, 60 Hz (North America)
<b>Thermal Management</b>	CoolDrive™ onboard thermal monitoring and control

## Control

<b>Protocols<sup>1</sup></b>	DALI (International) 0-10 V (North America)
<b>Systems</b>	Range of third-party controllers

<sup>1</sup> Some protocols require additional hardware. For more information and other available protocols, contact Lumascape.

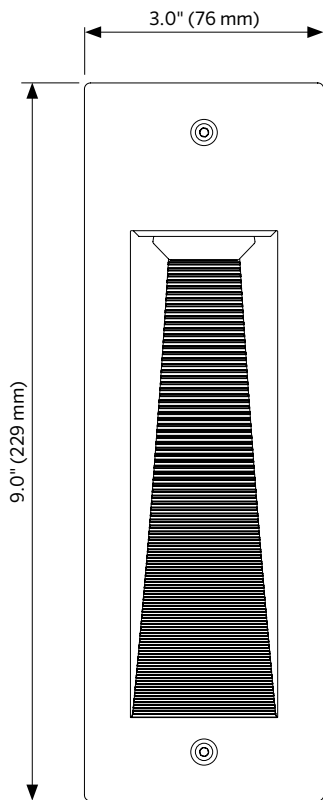
## Physical

<b>Housing</b>	Die-cast A380 aluminum housing
<b>Faceplate</b>	Die-cast A380 aluminum faceplate
<b>LED</b>	Lumileds® ZES
<b>Lens</b>	Clear and textured polycarbonate lens with UV inhibitors and impact resistance.
<b>Finish</b>	Two-layer, marine-grade protection of sulfuric acid anodization and polyester TGIC powder-coat, providing superior outdoor weathering in all conditions. Tested to ASTM standards.
<b>Exposed Hardware</b>	2 mm, stainless steel, hex socket cap fastener (x2)
<b>Installation</b>	Recessed
<b>Installation Requirements</b>	Housing/sleeve designed for recessed applications in the downward direction only. Mounting kit required for installation and shipped separately.
<b>Mounting Kit</b>	Polycarbonate construction sleeve with horizontal ¾" (x2) and 20 mm (x2) knockouts. Construction cover included. Specified and shipped separately.
<b>Exposed Dimension</b>	⅛" (3.2 mm)
<b>Ambient Operating Temperature</b>	-13°F to 140°F (-25°C to 60°C)
<b>Weight</b>	1.6 lb (0.7 kg)

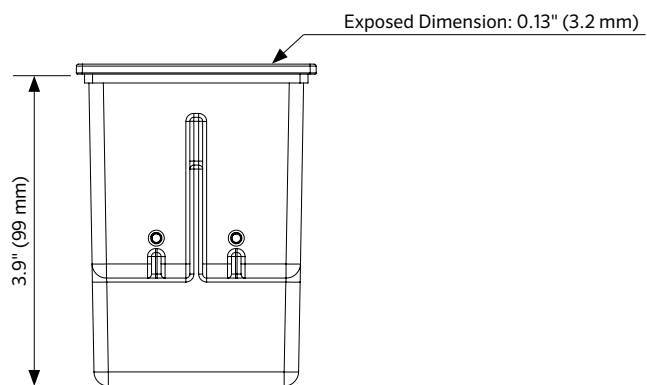
## Certification &amp; Compliance

<b>IP Rating</b>	IP66/67
<b>IK Rating</b>	IK9
<b>Environment</b>	Dry, Damp, Wet locations
<b>Certifications</b>	UL, CE, RCM, FCC
<b>BUG Rating</b>	B0-U2-G1
<b>IES Classification</b>	Type III

Technical Drawings

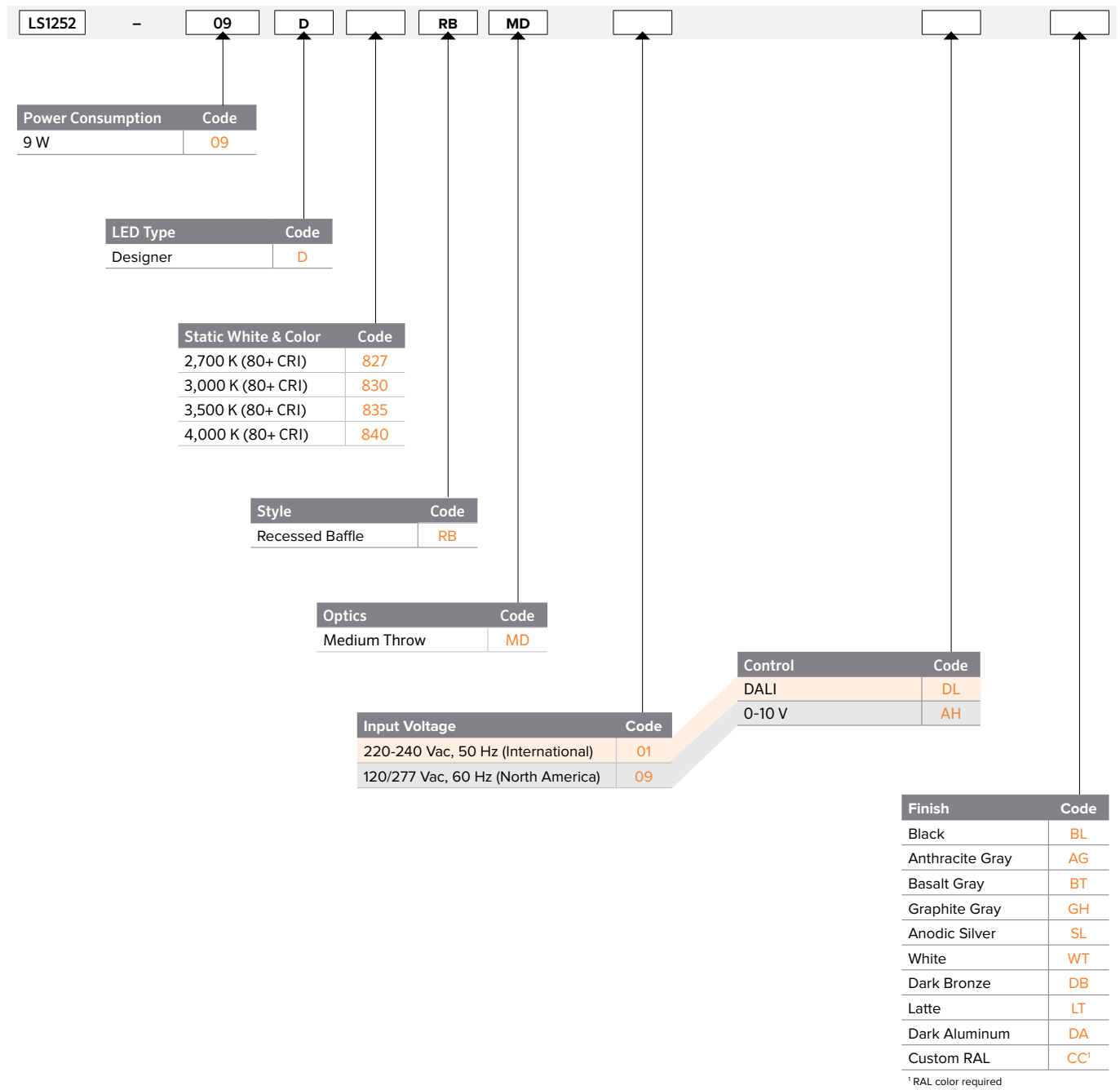


Front View



Top View

Specification Matrix



Height and Spacing Matrix

6' Path

Mounting Height*	2' (0.6 m) Spacing				4' (1.2 m) Spacing				6' (1.8 m) Spacing				8' (2.4 m) Spacing			
	Min	Ave	Ave/Min	Max/Min	Min	Ave	Ave/Min	Max/Min	Min	Ave	Ave/Min	Max/Min	Min	Ave	Ave/Min	Max/Min
12" (300 mm)	0.7 fc (8 lx)	13.1 fc (141 lx)	17.9	73.5	0.2 fc (2 lx)	7.1 fc (76 lx)	47.4	382.5	0.1 fc (1 lx)	4.1 fc (44 lx)	67.8	401.3	0.0 fc (0 lx)	3.3 fc (36 lx)	164.5	500+
18" (450 mm)	1.8 fc (19 lx)	12.3 fc (132 lx)	6.9	17.3	0.6 fc (6 lx)	6.8 fc (73 lx)	11.7	49.6	0.2 fc (2 lx)	4.5 fc (48 lx)	23.7	97.7	0.1 fc (1 lx)	3.1 fc (33 lx)	34.8	279.6
24" (600 mm)	2.5 fc (27 lx)	11.4 fc (123 lx)	4.6	8.8	1.3 fc (14 lx)	6.3 fc (68 lx)	4.9	13.2	0.5 fc (5 lx)	4.3 fc (46 lx)	8.4	24.9	0.2 fc (2 lx)	2.9 fc (31 lx)	15.5	77.0
30" (750 mm)	3.1 fc (33 lx)	10.5 fc (113 lx)	3.4	5.4	1.8 fc (19 lx)	5.9 fc (64 lx)	3.2	6.2	0.8 fc (9 lx)	3.9 fc (42 lx)	5.1	11.6	0.4 fc (4 lx)	2.7 fc (29 lx)	7.8	26.6
36" (900 mm)	3.4 fc (37 lx)	9.7 fc (104 lx)	2.8	4.0	2 fc (22 lx)	5.4 fc (58 lx)	2.6	4.2	1.1 fc (12 lx)	3.6 fc (39 lx)	3.3	6.1	0.5 fc (5 lx)	2.5 fc (27 lx)	4.8	12.2

.IES file name: LS1252-ERP

8' Path

Mounting Height*	2' (0.6 m) Spacing				4' (1.2 m) Spacing				6' (1.8 m) Spacing				8' (2.4 m) Spacing			
	Min	Ave	Ave/Min	Max/Min	Min	Ave	Ave/Min	Max/Min	Min	Ave	Ave/Min	Max/Min	Min	Ave	Ave/Min	Max/Min
12" (300 mm)	0.2 fc (2 lx)	13.7 fc (147 lx)	68.4	294.5	0.1 fc (1 lx)	3.3 fc (36 lx)	32.8	121.1	0 fc (0 lx)	4.6 fc (50 lx)	114.5	500+	0 fc (0 lx)	1.7 fc (18 lx)	165	500+
18" (450 mm)	0.6 fc (6 lx)	10.2 fc (110 lx)	16	49.9	0.4 fc (4 lx)	4.5 fc (48 lx)	11	30.7	0.2 fc (2 lx)	3.5 fc (38 lx)	23	179.6	0.1 fc (1 lx)	2.3 fc (25 lx)	38	200
24" (600 mm)	1.2 fc (13 lx)	9.2 fc (99 lx)	7.8	18.6	0.7 fc (8 lx)	4.6 fc (50 lx)	6.2	14.1	0.3 fc (3 lx)	3.1 fc (33 lx)	10.1	49.6	0.1 fc (1 lx)	2.3 fc (25 lx)	17.8	71.5
30" (750 mm)	1.7 fc (18 lx)	8.6 fc (93 lx)	5.2	10.2	0.9 fc (10 lx)	4.3 fc (46 lx)	4.7	8.9	0.6 fc (6 lx)	2.9 fc (31 lx)	5.2	17.6	0.3 fc (3 lx)	2.2 fc (24 lx)	8.9	27.8
36" (900 mm)	2 fc (22 lx)	8 fc (86 lx)	4.0	6.8	1.1 fc (12 lx)	4.1 fc (44 lx)	3.8	6.3	0.7 fc (8 lx)	2.8 fc (30 lx)	3.9	9.6	0.4 fc (4 lx)	2.1 fc (23 lx)	5.3	14.6

.IES file name: LS1252-ERP

Assumptions:

Pathway Length:	24' (7.3 m)
Pathway Width:	6' (1.8 m) or 8' (2.4 m)
Point Spacing:	6': 1.5 x 1.2 (0.5 x 0.4 m) 8': 2 x 1.3 ft (0.6 x 0.4 m)
Light Loss Factor	1.0
Spacing:	On Center
Tilt:	0
Orientation:	0
* Mounting Height:	Center of luminous opening

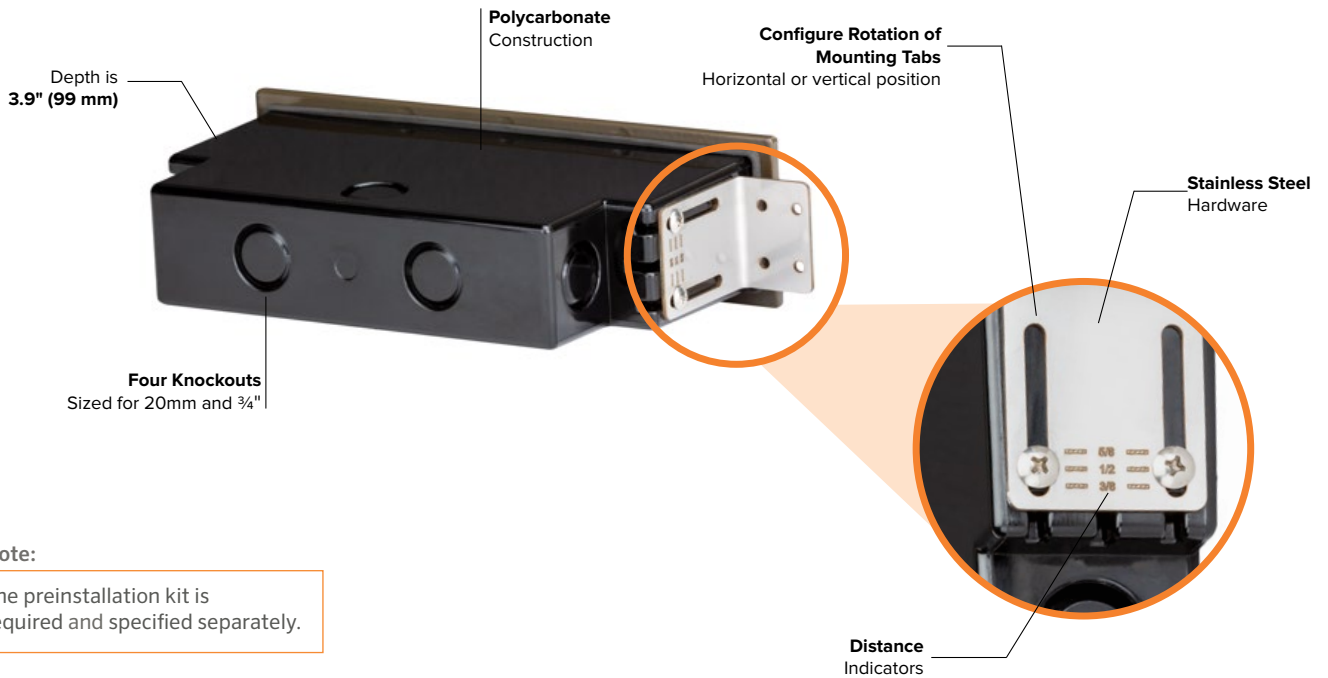


lumascape.com/spacing-tool

Accessories

**Pre-Installation Kit**

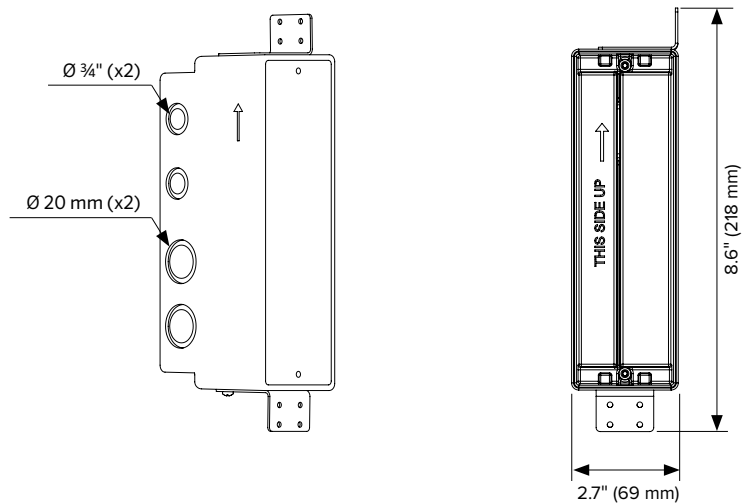
Used for mounting the Reed RD2 step light into a wall during preinstallation.



Specification Matrix

	<b>LS6335</b>
Mounting	Code
Preinstallation Kit	<b>LS6335</b>

Technical Drawings



Luminaire Wire Colors & Designations

Line Voltage 220-240 Vac + DALI® - International

Designation	Color
Line	Brown
Neutral	Blue
Ground/Earth	Green / Yellow
DALI +	Grey
DALI -	Black



Line Voltage 120/277 Vac + 0-10 V - North America

Designation	Color
Line	Black
Neutral	White
Ground/Earth	Green / Yellow
0-10 V +	Purple
0-10 V -	Pink or Gray

